



# Axial fans FC

## AC technology

### Product overview

Quick selection	Page 404
Size 315	Page 408
Size 350	Page 412
Size 400	Page 418
Size 450	Page 428
Size 500	Page 436
Size 560	Page 444
Size 630	Page 460
Size 710	Page 470
Size 800	Page 484
Size 910	Page 496
Size 1000	Page 500
Size 1120	Page 512
Size 1250	Page 518

Information

FE20wlet  
ECblue

FE20wlet

FB

FC

System  
components

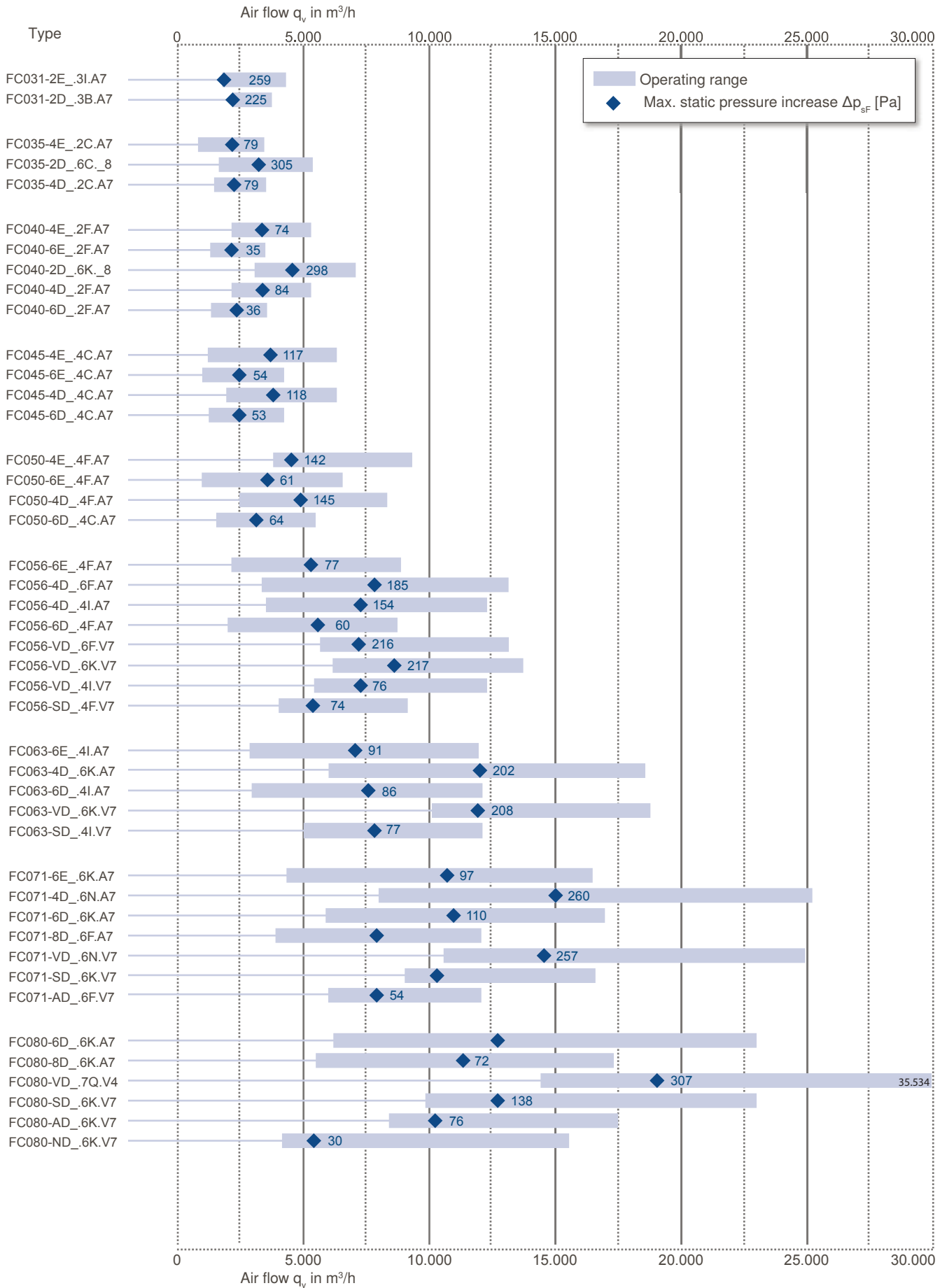
Control  
technology

Appendix

Size	Voltage	Polecount	Type	Airflow direction	ErP	Page
315 mm	1~ 230 V	2	FC031-2E_3I.A7	→ A	2015	408
	3~ 400 V	2	FC031-2D_3B.A7	→ A	2015	410
350 mm	1~ 230 V	4	FC035-4E_2C.A7	→ A	2013 *	412
	3~ 400 V	2	FC035-2D_6K_8	→ A ← V	2013	414
		4	FC035-4D_2C.A7	→ A	2015	416
400 mm	1~ 230 V	4	FC040-4E_2F.A7	→ A	2013 *	418
		6	FC040-6E_2F.A7	→ A	-	420
	3~ 400 V	2	FC040-2D_6K_8	→ A ← V	2013	422
		4	FC040-4D_2F.A7	→ A	2015	424
		6	FC040-6D_2F.A7	→ A	-	426
450 mm	1~ 230 V	4	FC045-4E_4C.A7	→ A	2015	428
	3~ 400 V	6	FC045-6E_4C.A7	→ A	2013	430
		4	FC045-4D_4C.A7	→ A	2015	432
		6	FC045-6D_4C.A7	→ A	-	434
500 mm	1~ 230 V	4	FC050-4E_4I.A7	→ A	2015	446
		6	FC050-6E_4C.A7	→ A	2015	448
	3~ 400 V	4	FC050-4D_4F.A7	→ A	2015	440
		6	FC050-6D_4C.A7	→ A	2015	442
560 mm	1~ 230 V	6	FC056-6E_4F.A7	→ A	2013	444
		4	FC056-4D_6F.A7	→ A	2015	446
			FC056-4D_4I.A7	→ A	2015 *	448
			FC056-6D_4F.A7	→ A	2015	450
	3~ 400 V	6	FC056-VD_6F.V7	← V	2015	452
			FC056-VD_6K.V7	← V	2013	454
		4-4	FC056-VD_4I.V7	← V	2015 *	456
		6-6	FC056-SD_4F.V7	← V	2015	458
630 mm	1~ 230 V	6	FC063-6E_4I.A7	→ A	2015 *	460
		4	FC063-4D_6K.A7	→ A	2015	462
		6	FC063-6D_4I.A7	→ A	2015	464
	3~ 400 V	4-4	FC063-VD_6K.V7	← V	2015	466
		6-6	FC063-SD_4I.V7	← V	2015	468
710 mm	1~ 230 V	6	FC071-6E_6K.A7	→ A	2015	470
		4	FC071-4D_6N.A7	→ A	2015	472
		6	FC071-6D_6K.A7	→ A	2015	474
		8	FC071-8D_6F.A7	→ A	2013	476
	3~ 400 V	4-4	FC071-VD_6N.V7	← V	2015	478
		6-6	FC071-SD_6K.V7	← V	2015	480
		8-8	FC071-AD_6F.V7	← V	2013	482
		800 mm	3~ 400 V	6	FC080-6D_6K.A7	→ A
8	FC080-8D_6K.A7			→ A	2015	486
4-4	FC080-VD_7Q.V4			← V	2013	488
6-6	FC080-SD_6K.V7			← V	2015	490
8-8	FC080-AD_6K.V7			← V	2015	492
12-12	FC080-ND_6K.V7			← V	2013	494

\* with ZIEHL-ABEGG frequency inverter





Information

FE2owlet  
ECblue

FE2owlet

FB

FC

System  
components

Control  
technology

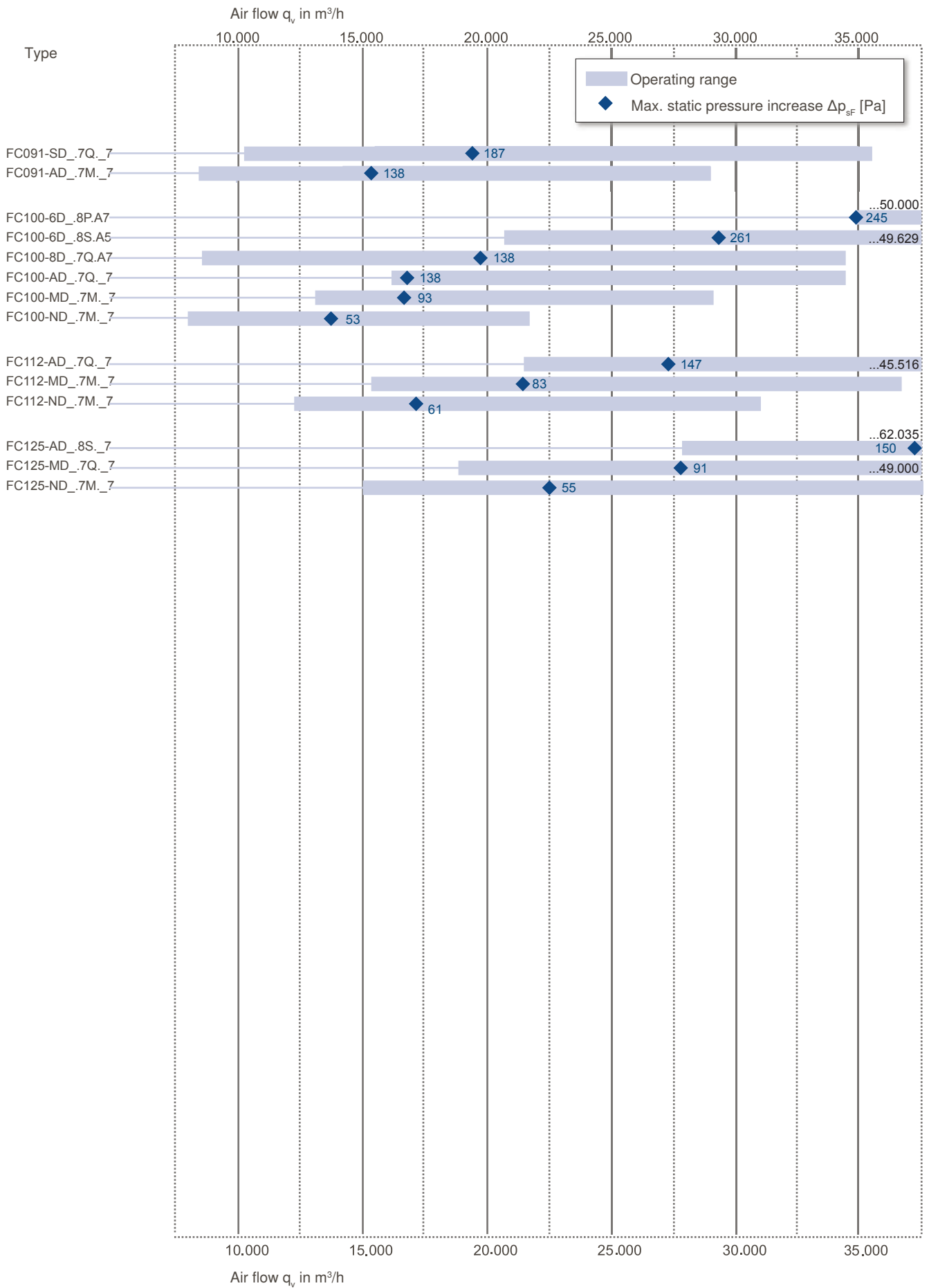
Appendix



Size	Voltage	Polecount	Type	Airflow direction	ErP	Page
910 mm	3~ 400 V	6-6	FC091-SD_7Q_7	→ A ← V	2015	496
		8-8	FC091-AD_7M_7	→ A ← V	2013	498
1000 mm	3~ 400 V	6	FC100-6D_8P.A7	→ A	2015	500
		6	FC100-6D_8S.A5	→ A	2015	502
		8	FC100-8D_7Q.A7	→ A	2015	504
		8-8	FC100-AD_7Q_7	→ A ← V	2015	506
		10-10	FC100-MD_7M_7	→ A ← V	2013	508
1120 mm	3~ 400 V	8-8	FC112-AD_7Q_7	→ A ← V	2015	512
		10-10	FC112-MD_7M_7	→ A ← V	2013	514
		12-12	FC112-ND_7M_7	→ A ← V	2013	516
1250 mm	3~ 400 V	8-8	FC125-AD_8S_7	→ A ← V	2015	518
		10-10	FC125-MD_7Q_7	→ A ← V	2015 *	520
		12-12	FC125-ND_7M_7	→ A ← V	2013	522

\* with ZIEHL-ABEGG frequency inverter





- Information
- FE2owlet  
ECblue
- FE2owlet
- FB
- FC**
- System components
- Control technology
- Appendix





Performance data

Type	Characteristic curve	Voltage	Operating point	Current	Motor input power	Speed	Suction side sound power level
		U [V]		I [A]	P <sub>1</sub> [W]	n [min <sup>-1</sup> ]	L <sub>WAS</sub> [dB]
FC031-2E_3I_7	I	230*	②	2.40*	560*	2860*	89
		230	③	2.20	500	2870	81
	II	170	⑤	2.80	480	2710	88
		170	⑥	2.50	420	2760	80
	III	135	⑧	3.30	440	2360	84
		135	⑨	2.80	380	2540	78

\*rated data

Fan ordering information



Design	F (with contact protection)	F (without guard grille) Q	Q
<b>Type</b>	<b>FC031-2EF.3I.A7</b>	<b>FC031-2EF.3I.A7</b>	<b>FC031-2EQ.3I.A7</b>
<b>Article no.</b>	<b>160071</b>	<b>160070</b>	<b>160069</b>
<b>Weight [kg]</b>	11.90	12.20	12.10

Control technology

<p>Frequency inverter Fcontrol 1~</p> <p>➤ Page 552</p>	<p>Motor protection units 1~</p> <p>➤ Page 596</p>	<p>Transformer-based controllers 1~</p> <p>➤ Page 587</p>	<p>Electronic voltage controllers 1~</p> <p>➤ Page 562</p>
---	--	---	--



# FC

for three phase alternating current, 2 pole

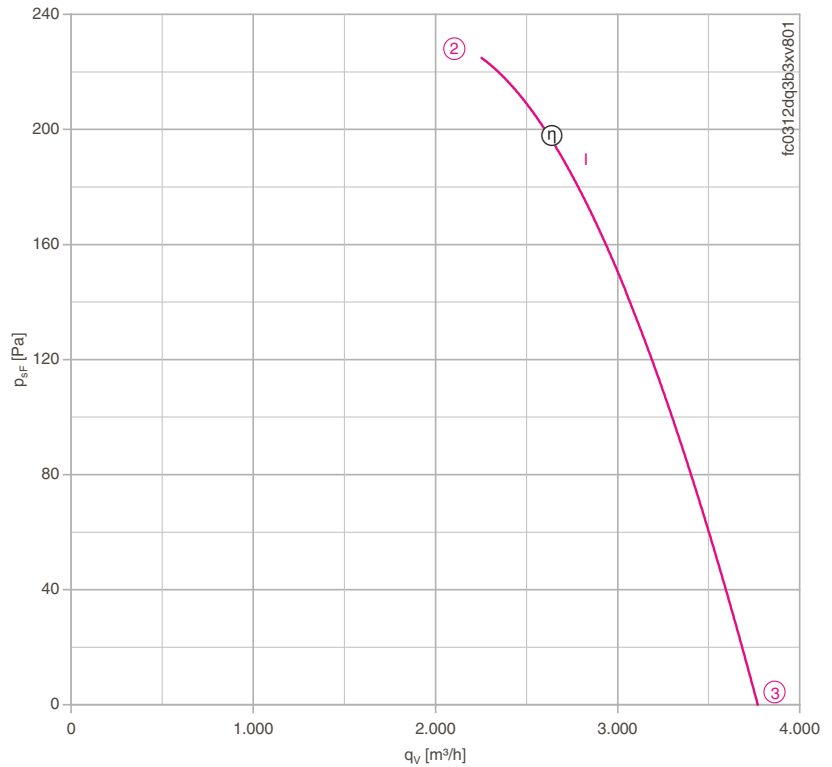
FC031-2D



## Description

Motor technology: AC  
 Rated voltage  $U_N$ : 3~ 230/400 V ( $\Delta/Y$ )  $\pm 10$  %\*  
 Rated frequency  $f_N$ : 50 Hz\*  
 Motor input power  $P_1$ : 0.51 kW\*  
 Rated current  $I_N$ : 1.40/0.79 A\*  
 Rated speed  $n_N$ : 2690 min<sup>-1</sup>\*  
 Starting current  $I_s$ : 4.40 A / 2.60 A  
 Current increase  $\Delta I$ : - %  
 Thermal class: THCL155\*  
 Min. permitted conveyor temperature  $t_{R(min)}$ : -40 °C  
 Max. permitted conveyor temperature  $t_{R(max)}$ : 55 °C  
 Electrical connection: Supply cable lateral-diagonal 65 cm  
 Number of blades: 7  
 Protection class: IP54  
 Motor protection: Thermal contact  
 Blades: Aluminium, 1 coat paint, black  
 Rotor: Aluminium, 1 coat paint, black  
 Conformity: ErP 2015, CE  
**ErP Data**  
 Efficiency  $\eta_{statA}$ : 31.8 %  
 Efficiency:  $N_{actual} = 40.1 / N_{target} = 40$ \*\*  
 \* Rated data  
 \*\*ErP 2015

Characteristic curve



Measured in full bell mouth without guard grille in installation type A according to ISO 5801.  
 Fan not speed controllable

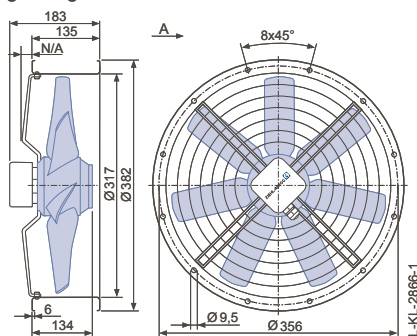
➤ Connection diagram 1360-106XB Page 608

➤ System components Page 524

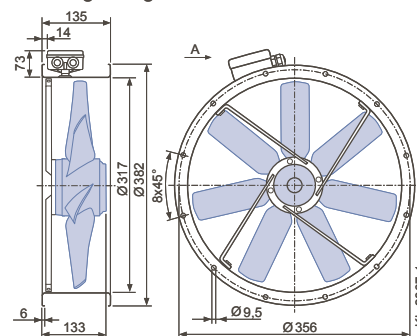
## Dimensions [mm]

### Airflow direction A

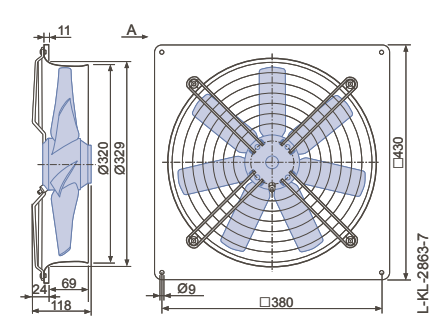
Design F - flange ring with two flanges and guard grille



Design F - flange ring with two flanges without guard grille



Design Q - square, full bell mouth



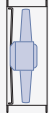
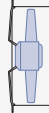
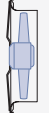
### Performance data

Type	Characteristic curve	Voltage	Operating point	Current	Motor input power	Speed	Suction side sound power level
		U [V]		I [A]	P <sub>1</sub> [W]	n [min <sup>-1</sup> ]	L <sub>WAS</sub> [dB]
FC031-2D_3B.A7	I	400*	②	0.79*	510*	2690*	84
		400	③	0.68	430	2760	80



\*rated data

### Fan ordering information

**Airflow direction A** →

Design	F (with contact protection)	F (without guard grille)	Q
			
<b>Type</b>	<b>FC031-2DF.3B.A7</b>	<b>FC031-2DF.3B.A7</b>	<b>FC031-2DQ.3B.A7</b>
<b>Article no.</b>	<b>132420</b>	<b>132975</b>	<b>129782</b>
Weight [kg]	8.50	8.50	8.30
Electrical connection	Terminal box	Terminal box	Supply cable lateral diagonal

### Control technology

Frequency inverter Fcontrol 3~	Motor protection units 3~	Transformer-based controllers 3~	Electronic voltage controllers 3~
			
↗ Page 558	↗ Page 596	↗ Page 591	↗ Page 578

Information

FE2owlet  
ECblue

FE2owlet

FB

FC

System  
components

Control  
technology

Appendix

# FC

for single phase alternating current, 4 pole

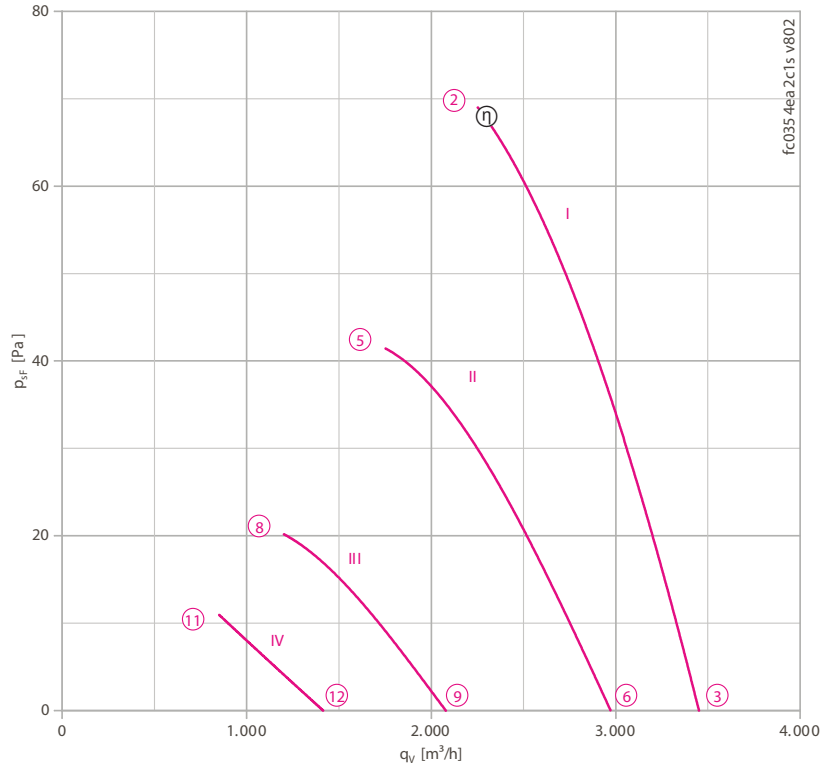
FC035-4E



## Description

Motor technology: AC  
 Rated voltage  $U_N$ : 1~ 230 V±10 %\*  
 Rated frequency  $f_N$ : 50 Hz\* (60Hz data available)  
 Motor input power  $P_1$ : 0.19 kW\*  
 Rated current  $I_N$ : 0.84 A\*  
 Rated speed  $n_N$ : 1330 min<sup>-1</sup>\*  
 Starting current  $I_s$ : 1.50 A  
 Current increase  $\Delta I$ : 0 %  
 Service capacitor  $C_{400V}$ : 4.0 µF  
 Thermal class: **THCL155**\*  
 Min. permitted conveyor temperature  $t_{R(min)}$ : -25 °C  
 Max. permitted conveyor temperature  $t_{R(max)}$ : 80 °C  
 Electrical connection: Supply cable lateral-diagonal 65 cm  
 Number of blades: 7  
 Protection class: IP54  
 Motor protection: Thermal contact  
 Blades: Aluminium, 1 coat paint, black  
 Rotor: Aluminium, 1 coat paint, black  
 Conformity: ErP 2013, CE  
**ErP Data**  
 Efficiency  $\eta_{statA}$ : 23.9 %  
 Efficiency:  $N_{actual} = 36.6 / N_{target} = 36$ \*\*  
 Frequency inverter required  
 \* Rated data  
 \*\*ErP 2013

## Characteristic curve



Measured in full bell mouth without guard grille in installation type A according to ISO 5801.

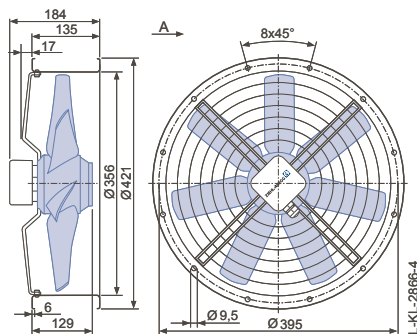
➤ Connection diagram 1360-104XB Page 608

➤ System components Page 524

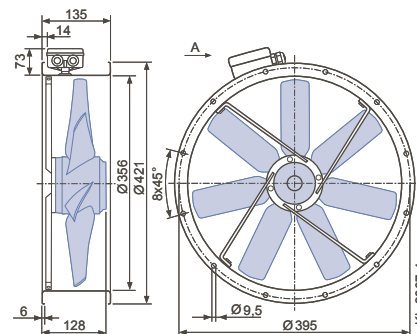
## Dimensions [mm]

### Airflow direction A

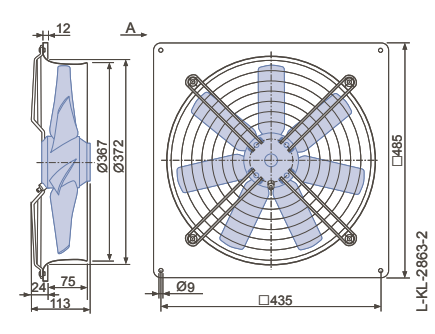
Design F - flange ring with two flanges and guard grille



Design F - flange ring with two flanges without guard grille



Design Q - square, full bell mouth



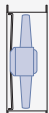
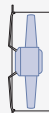
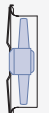
Performance data

Type	Characteristic curve	Voltage	Operating point	Current	Motor input power	Speed	Suction side sound power level
		U [V]		I [A]	P <sub>1</sub> [W]	n [min <sup>-1</sup> ]	L <sub>WAS</sub> [dB]
FC035-4E_2C.A7	I	230*	②	0.84*	185*	1330*	73
		230	③	0.81	170	1360	75
	II	160	⑤	0.81	130	1050	67
		160	⑥	0.73	120	1180	72
	III	130	⑧	0.71	89	780	59
		130	⑨	0.71	88	820	63
	IV	105	⑪	0.59	57	560	51
		105	⑫	0.59	57	580	54

\*rated data

Fan ordering information

**Airflow direction A**

Design	F (with contact protection)	F (without guard grille)	Q
			
<b>Type</b>	<b>FC035-4EF.2C.A7</b>	<b>FC035-4EF.2C.A7</b>	<b>FC035-4EQ.2C.A7</b>
<b>Article no.</b>	<b>132996</b>	<b>132994</b>	<b>125092</b>
Weight [kg]	9.10	7.20	7.30
Electrical connection	Terminal box	Terminal box	Supply cable lateral diagonal

Control technology

<p>Frequency inverter Fcontrol 1~</p>  <p>➤ Page 552</p>	<p>Motor protection units 1~</p>  <p>➤ Page 596</p>	<p>Transformer-based controllers 1~</p>  <p>➤ Page 587</p>	<p>Electronic voltage controllers 1~</p>  <p>➤ Page 562</p>
---	--	---	---

# FC

for three phase alternating current, 2 pole

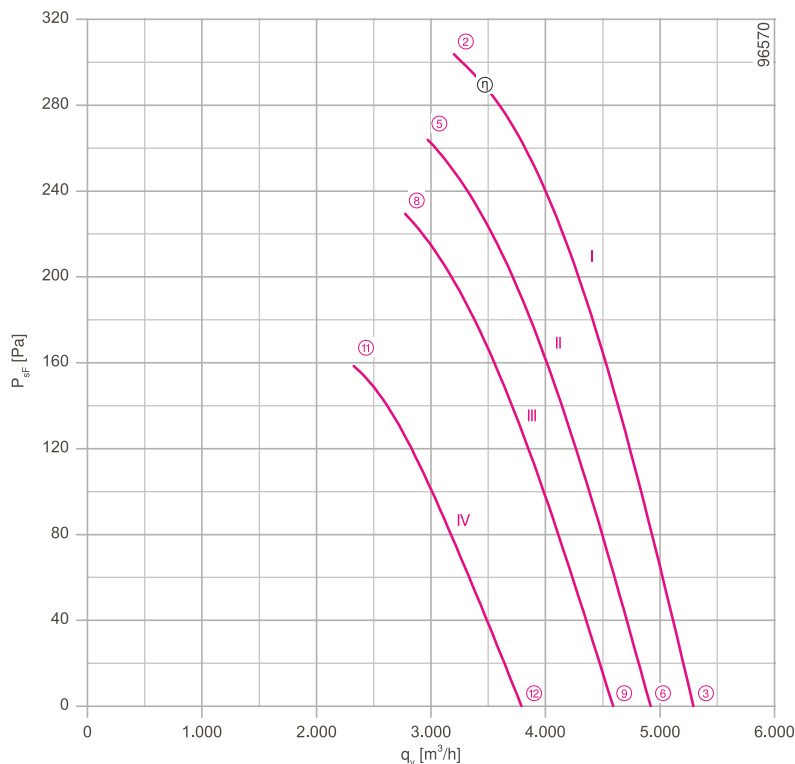
FC035-2D



## Description

Motor technology: AC  
 Rated voltage  $U_N$ : 3~ 230/400 V ( $\Delta/Y$ )  $\pm 10$  %\*  
 Rated frequency  $f_N$ : 50 Hz\* (60Hz data available)  
 Motor input power  $P_1$ : 0.98 kW\*  
 Rated current  $I_N$ : 3.30/1.90 A\*  
 Rated speed  $n_N$ : 2900 min<sup>-1</sup>\*  
 Current increase  $\Delta I$ : 0 %  
 Thermal class: THCL155\*  
 Min. permitted conveyor temperature  $t_{R(min)}$ : -40 °C  
 Max. permitted conveyor temperature  $t_{R(max)}$ : 70 °C  
 Electrical connection: Terminal box  
 Number of blades: 8  
 Protection class: IP54  
 Motor protection: Thermal contact  
 Blades: Aluminium, 1 coat paint, black  
 Rotor: Aluminium, 1 coat paint, black  
 Conformity: ErP 2013, CE  
**ErP Data**  
 Efficiency  $\eta_{statA}$ : 29.8 %  
 Efficiency:  $N_{actual} = 36.2 / N_{target} = 36$ \*\*  
 \* Rated data  
 \*\*ErP 2013

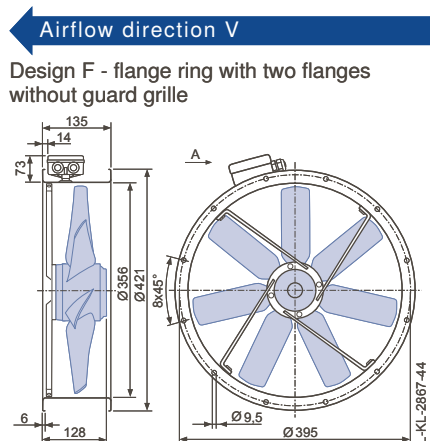
## Characteristic curve



Measured in full bell mouth without guard grille in installation type A according to ISO 5801

- Connection diagram 1360-106XA Page 608
- System components Page 524

## Dimensions [mm]



### Performance data

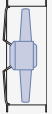
Type	Characteristic curve	Voltage	Operating point	Current	Motor input power	Speed	Suction side sound power level
		U [V]		I [A]	P <sub>1</sub> [W]	n [min <sup>-1</sup> ]	L <sub>WAS</sub> [dB]
FC035-2D_.6K_.8	I	400*	②	1.90*	980*	2900*	94
		400	③	1.90	1000	2910	86
	II	230	⑤	2.40	880	2710	92
		230	⑥	2.50	900	2700	85
	III	190	⑧	2.80	820	2530	90
		190	⑨	2.80	840	2520	83
	IV	145	⑪	3.10	660	2110	85
		145	⑫	3.10	660	2080	78

\*rated data

### Fan ordering information

**Airflow direction V**



Design F (without contact protection)



**Type** FC035-2DF.6K.V8  
**Article no.** 160073

Weight [kg] 14.80

### Control technology

<p>Frequency inverter Fcontrol 3~</p>  <p>➤ Page 558</p>	<p>Motor protection units 3~</p>  <p>➤ Page 596</p>	<p>Transformer-based controllers 3~</p>  <p>➤ Page 591</p>	<p>Electronic voltage controllers 3~</p>  <p>➤ Page 578</p>
---	--	---	--

# FC

for three phase alternating current, 4 pole

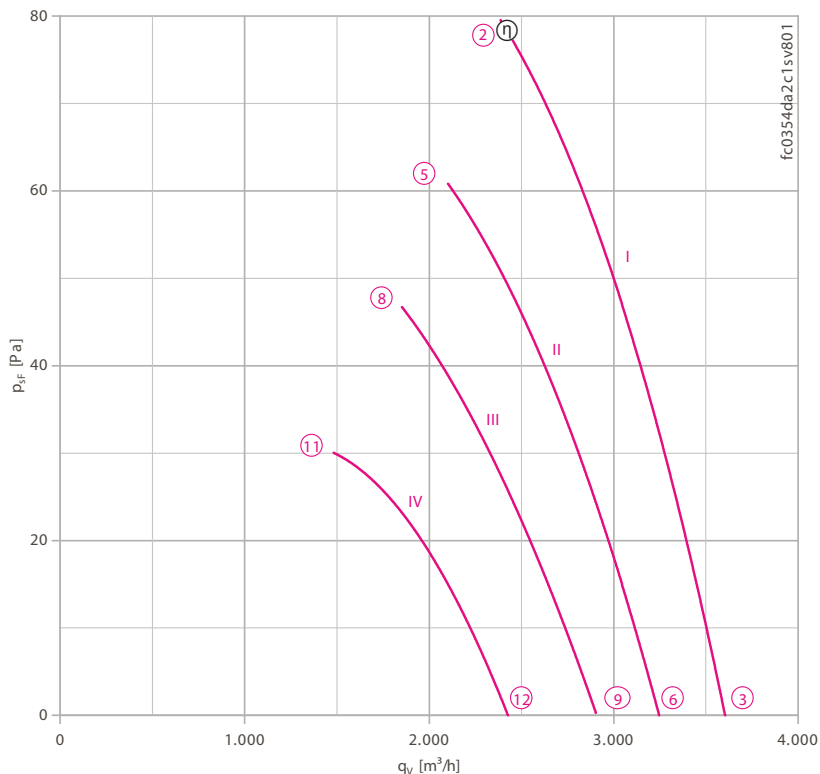
FC035-4D



## Description

Motor technology: AC  
 Rated voltage  $U_N$ : 3~ 230/400 V ( $\Delta/Y$ )  $\pm 10$  %\*  
 Rated frequency  $f_N$ : 50 Hz\* (60Hz data available)  
 Motor input power  $P_1$ : 0.17 kW\*  
 Rated current  $I_N$ : 0.64/0.37 A\*  
 Rated speed  $n_N$ : 1370 min<sup>-1</sup>\*  
 Starting current  $I_s$ : 2.20 A / 1.30 A  
 Current increase  $\Delta I$ : 0 %  
 Thermal class: THCL155\*  
 Min. permitted conveyor temperature  $t_{R(min)}$ : -40 °C  
 Max. permitted conveyor temperature  $t_{R(max)}$ : 70 °C  
 Electrical connection: Supply cable lateral-diagonal 65 cm  
 Number of blades: 7  
 Protection class: IP54  
 Motor protection: Thermal contact  
 Blades: Aluminium, 1 coat paint, black  
 Rotor: Aluminium, 1 coat paint, black  
 Conformity: ErP 2015, CE  
**ErP Data**  
 Efficiency  $\eta_{statA}$ : 30.8 %  
 Efficiency:  $N_{actual} = 41.9 / N_{target} = 40$ \*\*  
 \* Rated data  
 \*\*ErP 2015

## Characteristic curve



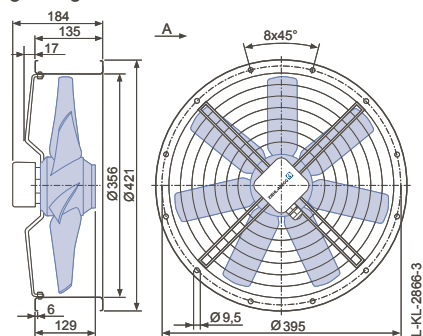
Measured in full bell mouth without guard grille in installation type A according to ISO 5801.

- Connection diagram 1360-106XB Page 608
- System components Page 524

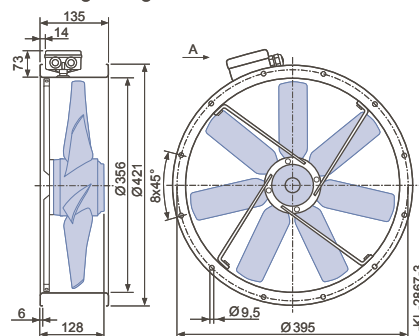
## Dimensions [mm]

### Airflow direction A

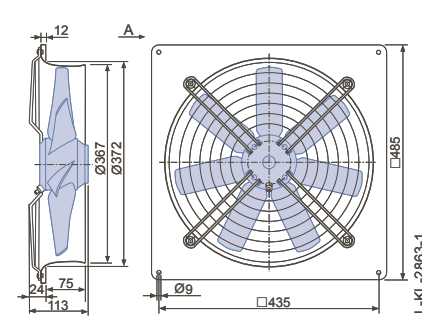
Design F - flange ring with two flanges and guard grille



Design F - flange ring with two flanges without guard grille



Design Q - square, full bell mouth



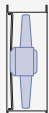
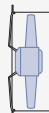
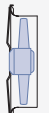
Performance data

Type	Characteristic curve	Voltage	Operating point	Current	Motor input power	Speed	Suction side sound power level
		U [V]		I [A]	P <sub>1</sub> [W]	n [min <sup>-1</sup> ]	L <sub>WAS</sub> [dB]
FC035-4D_2C.A7	I	400*	②	0.39*	175*	1390*	74
		400	③	0.38	155	1410	76
	II	230	⑤	0.34	130	1220	71
		230	⑥	0.31	115	1260	73
	III	180	⑧	0.35	110	1070	67
		180	⑨	0.33	100	1130	71
	IV	140	⑪	0.35	83	890	63
		140	⑫	0.32	79	940	66



\*rated data

Fan ordering information

**Airflow direction A** →

Design	F (with contact protection)	F (without guard grille)	Q
			
<b>Type</b>	<b>FC035-4DF.2C.A7</b>	<b>FC035-4DF.2C.A7</b>	<b>FC035-4DQ.2C.A7</b>
<b>Article no.</b>	<b>132992</b>	<b>132990</b>	<b>125090</b>
<b>Weight [kg]</b>	7.50	7.20	7.30
<b>Electrical connection</b>	Terminal box	Terminal box	Supply cable lateral diagonal

Control technology

<p>Frequency inverter Fcontrol 3~</p>  <p>➤ Page 558</p>	<p>Motor protection units 3~</p>  <p>➤ Page 596</p>	<p>Transformer-based controllers 3~</p>  <p>➤ Page 591</p>	<p>Electronic voltage controllers 3~</p>  <p>➤ Page 578</p>
---	--	---	--





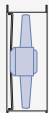
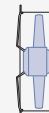
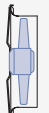
Performance data

Type	Characteristic curve	Voltage	Operating point	Current	Motor input power	Speed	Suction side sound power level
		U [V]		I [A]	P <sub>1</sub> [W]	n [min <sup>-1</sup> ]	L <sub>WAS</sub> [dB]
FC040-4E_2F.A7	I	230*	②	1.45*	290*	1350*	78
		230	③	1.40	270	1360	80
	II	160	⑤	1.65	270	1160	74
		160	⑥	1.45	240	1260	79
	III	130	⑧	1.70	230	770	63
		130	⑨	1.65	220	880	68
	IV	105	⑪	1.35	145	530	52
		105	⑫	1.35	145	570	56

\*rated data

Fan ordering information

**Airflow direction A**

Design	F (with contact protection)	F (without guard grille)	Q
			
<b>Type</b>	<b>FC040-4EF.2F.A7</b>	<b>FC040-4EF.2F.A7</b>	<b>FC040-4EQ.2F.A7</b>
<b>Article no.</b>	<b>132150</b>	<b>132148</b>	<b>125150</b>
Weight [kg]	9.30	9.00	9.30
Electrical connection	Terminal box	Terminal box	Supply cable lateral diagonal

Control technology

<p>Frequency inverter Fcontrol 1~</p>  <p>➔ Page 552</p>	<p>Motor protection units 1~</p>  <p>➔ Page 596</p>	<p>Transformer-based controllers 1~</p>  <p>➔ Page 587</p>	<p>Electronic voltage controllers 1~</p>  <p>➔ Page 562</p>
---	--	---	--

# FC

for single phase alternating current, 6 pole

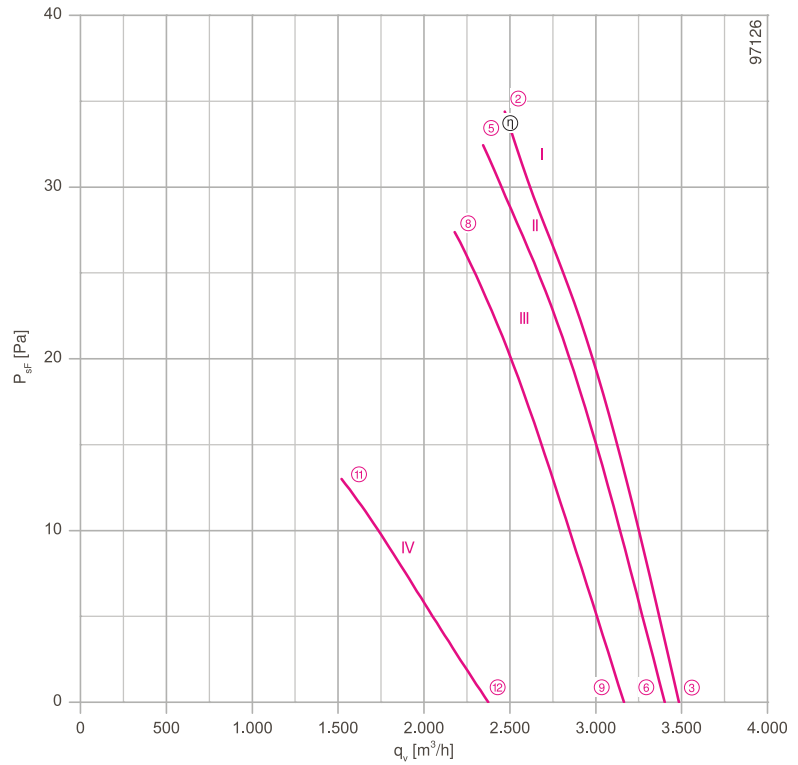
FC040-6E



## Description

Motor technology: AC  
 Rated voltage  $U_N$ : 1~ 230 V±10 %\*  
 Rated frequency  $f_N$ : 50 Hz\* (60Hz data available)  
 Motor input power  $P_1$ : 0.10 kW\*  
 Rated current  $I_N$ : 0.48 A\*  
 Rated speed  $n_N$ : 920 min<sup>-1</sup>\*  
 Current increase  $\Delta I$ : 0 %  
 Service capacitor  $C_{400V}$ : 2.5  $\mu$ F  
 Thermal class: **THCL155**\*  
 Min. permitted conveyor temperature  $t_{R(min)}$ : -25 °C  
 Max. permitted conveyor temperature  $t_{R(max)}$ : 70 °C  
 Electrical connection: Terminal box  
 Number of blades: 7  
 Protection class: IP54  
 Motor protection: Thermal contact  
 Blades: Aluminium, 1 coat paint, black  
 Rotor: Aluminium, 1 coat paint, black  
 Conformity: CE  
**ErP Data**  
 Is not subject to the ErP Guidelines ( $P_1 < 125$  W)  
 \* Rated data

## Characteristic curve



Measured in full bell mouth without guard grille in installation type A according to ISO 5801.

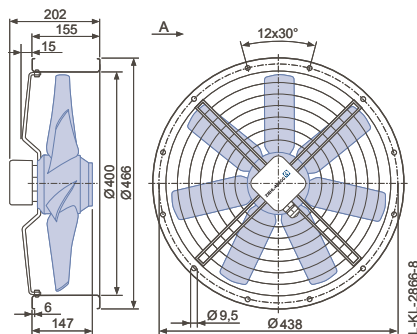
➤ Connection diagram 1360-104XB Page 608

➤ System components Page 524

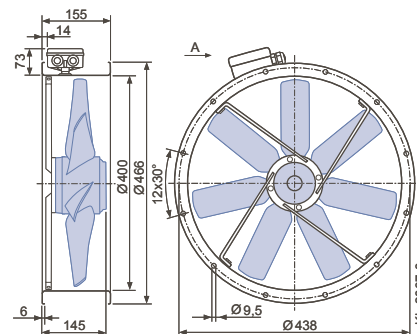
## Dimensions [mm]

### Airflow direction A

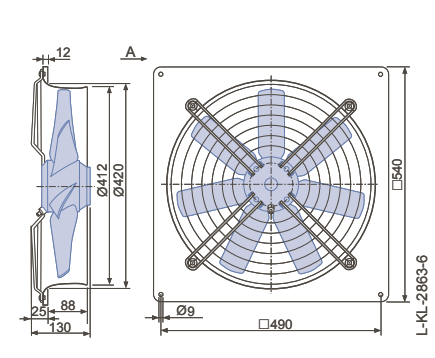
Design F - flange ring with two flanges and guard grille



Design F - flange ring with two flanges without guard grille



Design Q - square, full bell mouth



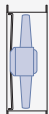
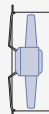
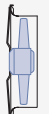
Performance data

Type	Characteristic curve	Voltage	Operating point	Current	Motor input power	Speed	Suction side sound power level
		U [V]		I [A]	P <sub>1</sub> [W]	n [min <sup>-1</sup> ]	L <sub>WAS</sub> [dB]
FC040-6E_2F_7	I	230*	②	0.48*	100*	920*	65
		230	③	0.46	100	930	64
	II	200	⑤	0.48	90	890	64
		200	⑥	0.46	85	900	64
	III	170	⑧	0.50	80	820	62
		170	⑨	0.46	75	840	62
	IV	135	⑪	0.52	60	570	53
		135	⑫	0.50	60	630	56



\*rated data

Fan ordering information

**Airflow direction A**

Design	F (with contact protection)	F (without guard grille)	Q
			
<b>Type</b>	<b>FC040-6EF.2F.A7</b>	<b>FC040-6EF.2F.A7</b>	<b>FC040-6EQ.2F.A7</b>
<b>Article no.</b>	<b>160082</b>	<b>160081</b>	<b>160080</b>
<b>Weight [kg]</b>	9.50	9.00	9.30

Control technology

Frequency inverter Fcontrol 1~	Motor protection units 1~	Transformer-based controllers 1~	Electronic voltage controllers 1~
			
➤ Page 552	➤ Page 596	➤ Page 587	➤ Page 562

# FC

for three phase alternating current, 2 pole

FC040-2D

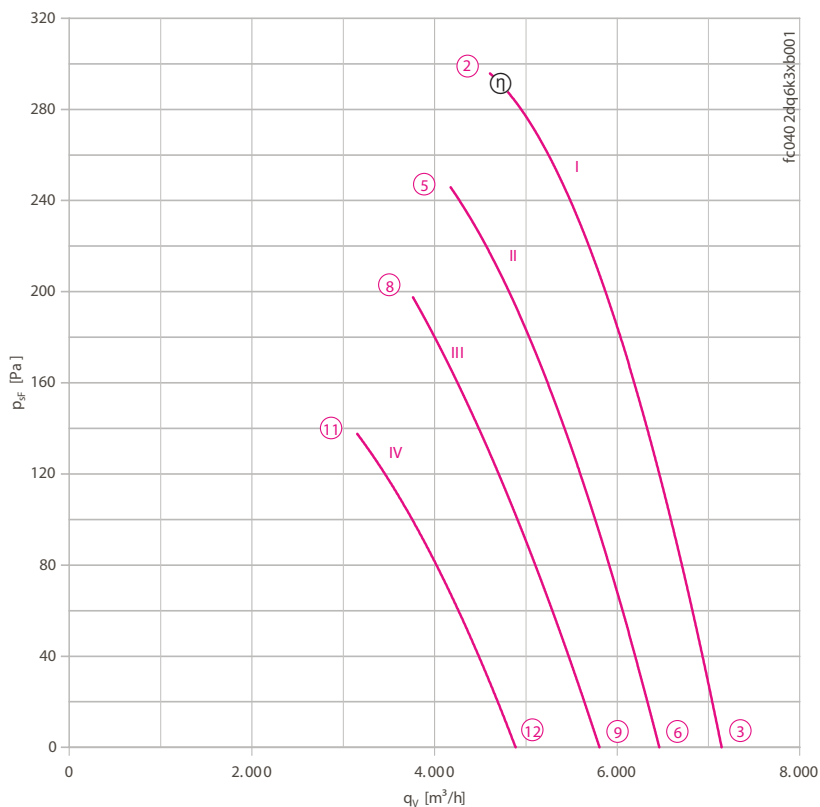


## Description

Motor technology: AC  
 Rated voltage  $U_N$ : 3~ 230/400 V ( $\Delta/Y$ )  $\pm 10$  %\*  
 Rated frequency  $f_N$ : 50 Hz\*  
 Motor input power  $P_1$ : 1.40 kW\*  
 Rated current  $I_N$ : 4.70/2.70 A\*  
 Rated speed  $n_N$ : 2850 min<sup>-1</sup>\*  
 Starting current  $I_s$ : 32.00 A / 19.00 A  
 Current increase  $\Delta I$ : 20 %  
 Thermal class: **THCL155**\*  
 Min. permitted conveyor temperature  $t_{R(min)}$ : -40 °C  
 Max. permitted conveyor temperature  $t_{R(max)}$ : 70 °C  
 Electrical connection: Terminal box  
 Number of blades: 8  
 Protection class: IP54  
 Motor protection: Thermal contact  
 Blades: Aluminium, 1 coat paint, black  
 Rotor: Aluminium, 1 coat paint, black  
 Conformity: ErP 2013, CE

**ErP Data**  
 Efficiency  $\eta_{statA}$ : 31.7 %  
 Efficiency:  $N_{actual} = 37.5 / N_{target} = 36$ \*\*  
 \* Rated data  
 \*\*ErP 2013

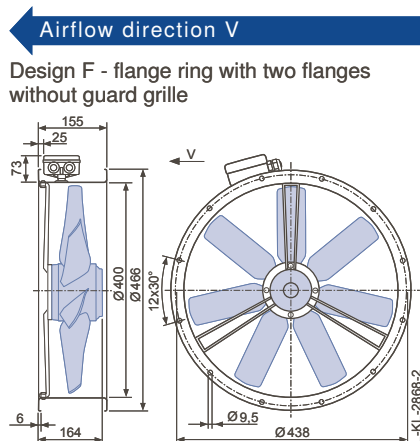
## Characteristic curve



Measured in full bell mouth without guard grille in installation type A according to ISO 5801.

- Connection diagram 1360-106XA Page 608
- System components Page 524

## Dimensions [mm]



### Performance data

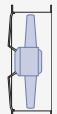
Type	Characteristic curve	Voltage	Operating point	Current	Motor input power	Speed	Suction side sound power level
		U [V]		I [A]	P <sub>1</sub> [W]	n [min <sup>-1</sup> ]	
FC040-2D_.6K.V8	I	400*	②	2.70*	1400*	2850*	98
		400	③	2.50	1300	2860	93
	II	230	⑤	2.90	1050	2550	95
		230	⑥	2.80	1000	2580	91
	III	180	⑧	3.20	860	2270	92
		180	⑨	3.00	840	2300	88
	IV	140	⑪	3.20	650	1930	88
		140	⑫	3.10	640	1960	84

\*rated data

### Fan ordering information

**Airflow direction V**



Design F (without guard grille)



**Type** FC040-2DF.6K.V8  
**Article no.** 124948H

Weight [kg] 21.70

### Control technology

<p>Frequency inverter Fcontrol 3~</p>  <p>➤ Page 558</p>	<p>Motor protection units 3~</p>  <p>➤ Page 596</p>	<p>Transformer-based controllers 3~</p>  <p>➤ Page 591</p>	<p>Electronic voltage controllers 3~</p>  <p>➤ Page 578</p>
---	--	---	--

# FC

for three phase alternating current, 4 pole

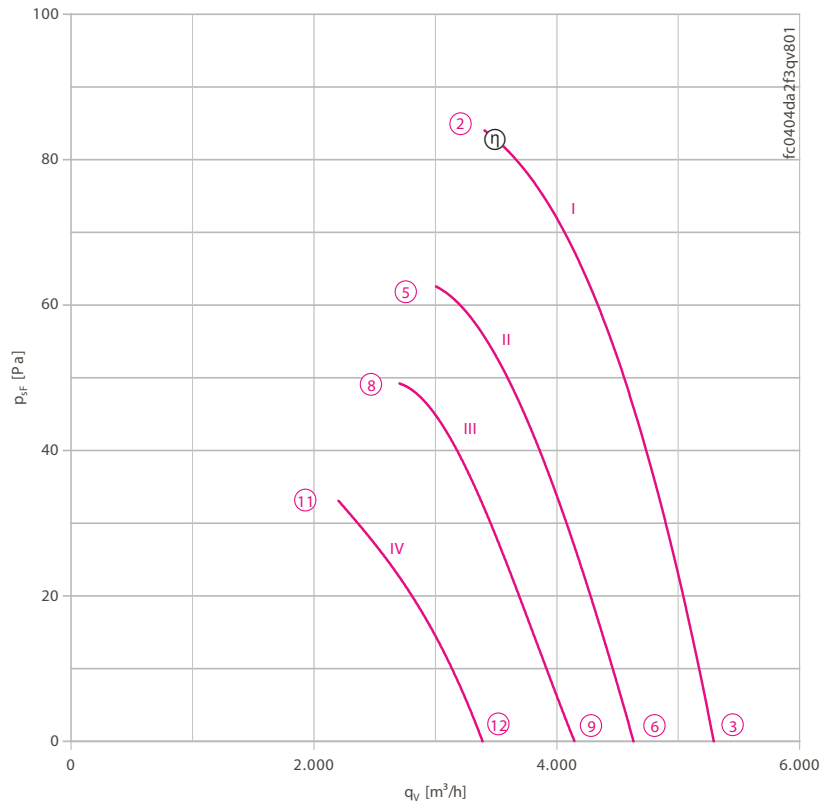
FC040-4D



## Description

Motor technology: AC  
 Rated voltage  $U_N$ : 3~ 230/400 V ( $\Delta/Y$ )  $\pm 10$  %\*  
 Rated frequency  $f_N$ : 50 Hz\* (60Hz data available)  
 Motor input power  $P_1$ : 0.26 kW\*  
 Rated current  $I_N$ : 0.97/0.56 A\*  
 Rated speed  $n_N$ : 1350 min<sup>-1</sup>\*  
 Starting current  $I_s$ : 3.60 A / 2.00 A  
 Current increase  $\Delta I$ : 0 %  
 Thermal class: THCL155\*  
 Min. permitted conveyor temperature  $t_{R(min)}$ : -40 °C  
 Max. permitted conveyor temperature  $t_{R(max)}$ : 70 °C  
 Electrical connection: Supply cable lateral-diagonal 65 cm  
 Number of blades: 7  
 Protection class: IP54  
 Motor protection: Thermal contact  
 Blades: Aluminium, 1 coat paint, black  
 Rotor: Aluminium, 1 coat paint, black  
 Conformity: ErP 2015, CE  
**ErP Data**  
 Efficiency  $\eta_{statA}$ : 31.7 %  
 Efficiency:  $N_{actual} = 41.7 / N_{target} = 40$ \*\*  
 \* Rated data  
 \*\*ErP 2015

## Characteristic curve



Measured in full bell mouth without guard grille in installation type A according to ISO 5801.

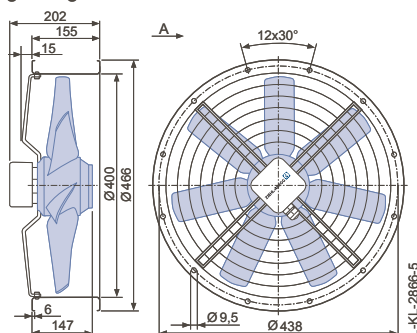
➤ Connection diagram 1360-106XB Page 608

➤ System components Page 524

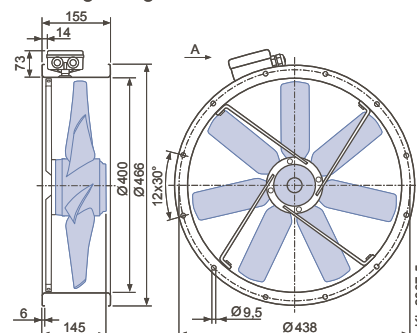
## Dimensions [mm]

### Airflow direction A

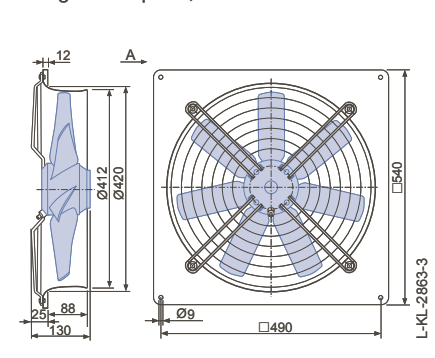
Design F - flange ring with two flanges and guard grille



Design F - flange ring with two flanges without guard grille



Design Q - square, full bell mouth

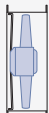
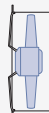
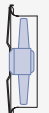


### Performance data

Type	Characteristic curve	Voltage	Operating point	Current	Motor input power	Speed	Suction side sound power level
		U [V]		I [A]	P <sub>1</sub> [W]	n [min <sup>-1</sup> ]	L <sub>WAS</sub> [dB]
FC040-4D_2F.A7	I	400*	②	0.60*	280*	1380*	79
		400	③	0.58	260	1390	81
	II	230	⑤	0.55	210	1200	75
		230	⑥	0.51	195	1240	78
	III	180	⑧	0.56	170	1050	71
		180	⑨	0.53	165	1100	75
	IV	140	⑪	0.54	130	870	66
		140	⑫	0.52	125	910	69

\*rated data

### Fan ordering information

Airflow direction A			
Design	F (with contact protection)	F (without guard grille)	Q
			
Type	<b>FC040-4DF.2F.A7</b>	<b>FC040-4DF.2F.A7</b>	<b>FC040-4DQ.2F.A7</b>
Article no.	<b>132146</b>	<b>132144</b>	<b>125094</b>
Weight [kg]	9.30	9.00	9.30
Electrical connection	Terminal box	Terminal box	Supply cable lateral diagonal

### Control technology

Frequency inverter Fcontrol 3~  ➤ Page 558	Motor protection units 3~  ➤ Page 596	Transformer-based controllers 3~  ➤ Page 591	Electronic voltage controllers 3~  ➤ Page 578
--	---	--	---



# FC

for three phase alternating current, 6 pole

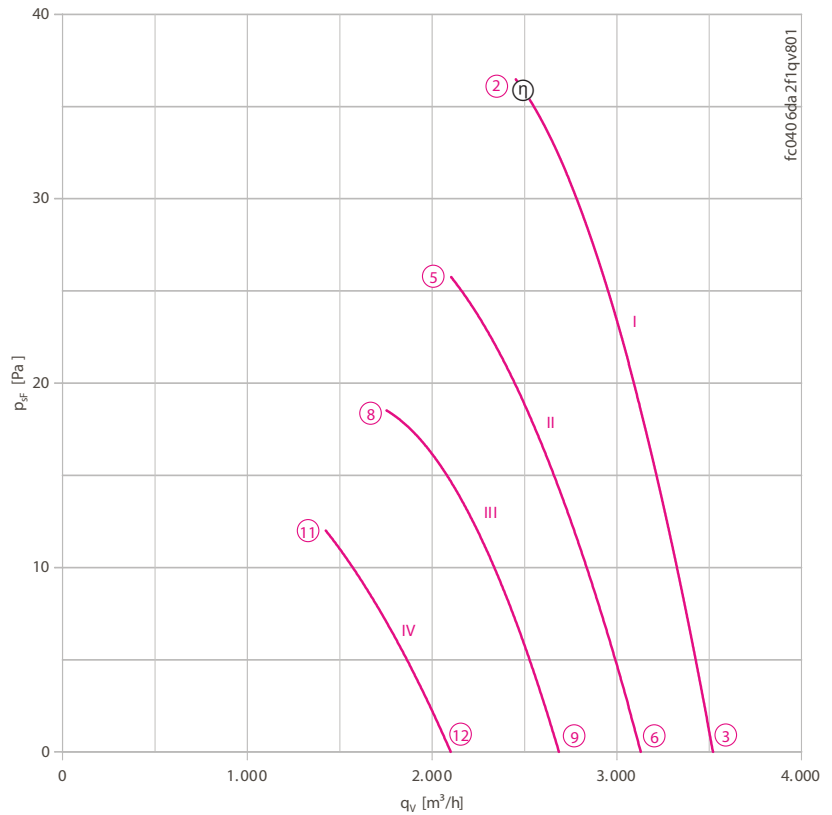
FC040-6D



## Description

Motor technology: AC  
 Rated voltage  $U_N$ : 3~ 230/400 V ( $\Delta/Y$ )  $\pm 10$  %\*  
 Rated frequency  $f_N$ : 50 Hz\* (60Hz data available)  
 Motor input power  $P_1$ : 0.11 kW\*  
 Rated current  $I_N$ : 0.49/0.28 A\*  
 Rated speed  $n_N$ : 920 min<sup>-1</sup>\*  
 Starting current  $I_s$ : 1.60 A / 0.90 A  
 Current increase  $\Delta I$ : 0 %  
 Thermal class: THCL155\*  
 Min. permitted conveyor temperature  $t_{R(min)}$ : -40 °C  
 Max. permitted conveyor temperature  $t_{R(max)}$ : 70 °C  
 Electrical connection: Supply cable lateral-diagonal 65 cm  
 Number of blades: 7  
 Protection class: IP54  
 Motor protection: Thermal contact  
 Blades: Aluminium, 1 coat paint, black  
 Rotor: Aluminium, 1 coat paint, black  
 Conformity: CE  
**ErP Data**  
 Is not subject to the ErP Guidelines ( $P_1 < 125$  W)  
 \* Rated data

## Characteristic curve



Measured in full bell mouth without guard grille in installation type A according to ISO 5801.

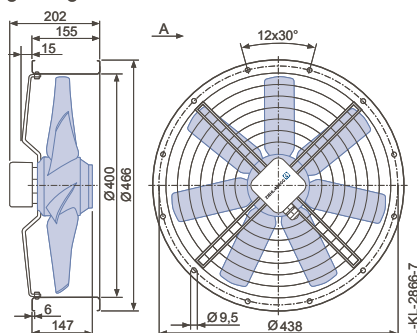
➤ Connection diagram 1360-106XB Page 608

➤ System components Page 524

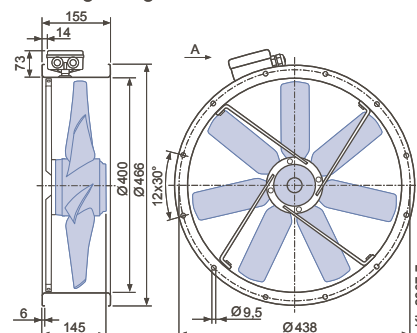
## Dimensions [mm]

### Airflow direction A

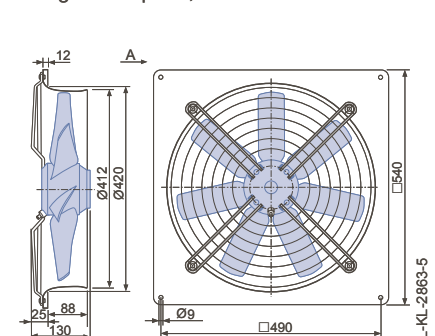
Design F - flange ring with two flanges and guard grille



Design F - flange ring with two flanges without guard grille



Design Q - square, full bell mouth



Performance data

Type	Characteristic curve	Voltage	Operating point	Current	Motor input power	Speed	Suction side sound power level
		U [V]		I [A]	P <sub>1</sub> [W]	n [min <sup>-1</sup> ]	L <sub>WAS</sub> [dB]
FC040-6D_.2F.A7	I	400*	②	0.28*	110*	920*	68
		400	③	0.27	97	940	70
	II	230	⑤	0.24	73	810	64
		230	⑥	0.23	69	830	67
	III	180	⑧	0.23	57	680	59
		180	⑨	0.23	56	710	62
	IV	140	⑪	0.21	41	540	53
		140	⑫	0.21	40	570	56

\*rated data

Fan ordering information

**Airflow direction A**

Design	F (with contact protection)	F (without guard grille)	Q
<b>Type</b>	<b>FC040-6DF.2F.A7</b>	<b>FC040-6DF.2F.A7</b>	<b>FC040-6DQ.2F.A7</b>
<b>Article no.</b>	<b>132215</b>	<b>132213</b>	<b>125146</b>
<b>Weight [kg]</b>	9.30	9.00	9.30

Control technology

Frequency inverter Fcontrol 3~	Motor protection units 3~	Transformer-based controllers 3~	Electronic voltage controllers 3~
➤ Page 558	➤ Page 596	➤ Page 591	➤ Page 578

# FC

for single phase alternating current, 4 pole

FC045-4E



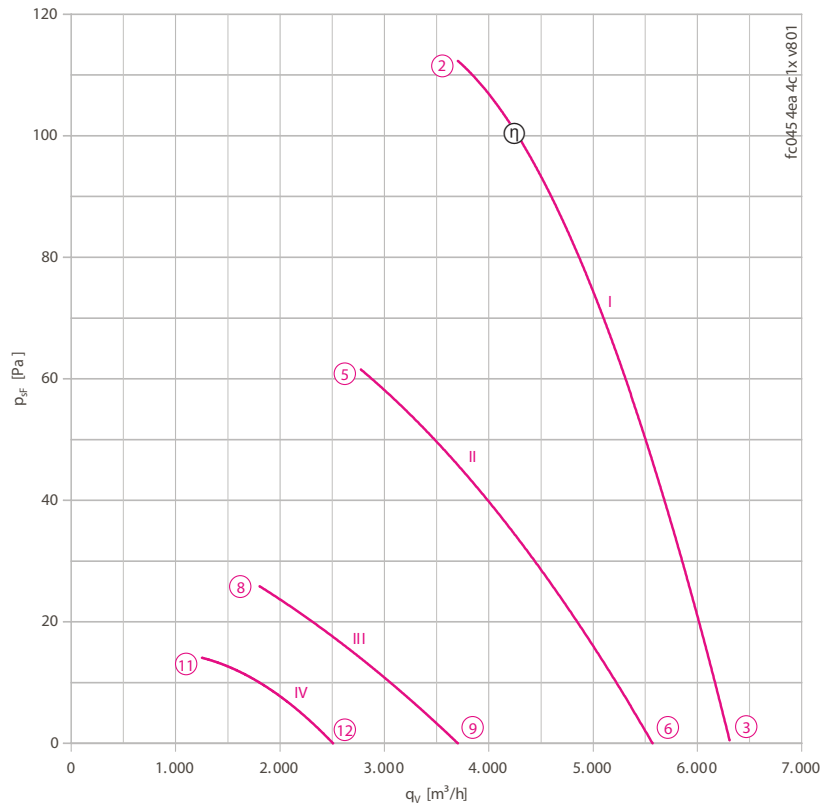
## Description

Motor technology: AC  
 Rated voltage  $U_N$ : 1~ 230 V $\pm$ 10 %\*  
 Rated frequency  $f_N$ : 50 Hz\*  
 Motor input power  $P_1$ : 0.36 kW\*  
 Rated current  $I_N$ : 1.60 A\*  
 Rated speed  $n_N$ : 1370 min<sup>-1</sup>\*  
 Starting current  $I_s$ : 3.40 A  
 Current increase  $\Delta I$ : 30 %  
 Service capacitor  $C_{400V}$ : 6.0  $\mu$ F  
 Thermal class: **THCL155**\*  
 Min. permitted conveyor temperature  $t_{R(min)}$ : -25 °C  
 Max. permitted conveyor temperature  $t_{R(max)}$ : 60 °C  
 Electrical connection: Terminal box  
 Number of blades: 7  
 Protection class: IP54  
 Motor protection: Thermal contact  
 Blades: Aluminium, 1 coat paint, black  
 Rotor: Aluminium, 1 coat paint, black  
 Conformity: ErP 2015, CE

## ErP Data

Efficiency  $\eta_{statA}$ : 32.3 %  
 Efficiency:  $N_{actual} = 41.5 / N_{target} = 40$ \*\*  
 \* Rated data  
 \*\*ErP 2015

## Characteristic curve



Measured in full bell mouth without guard grille in installation type A according to ISO 5801.

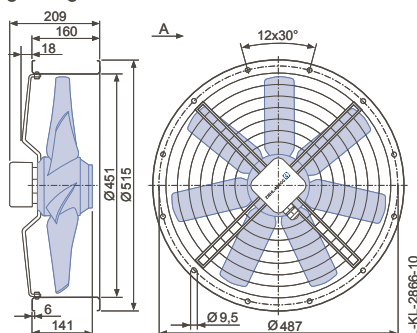
➤ Connection diagram 1360-104XB Page 608

➤ System components Page 524

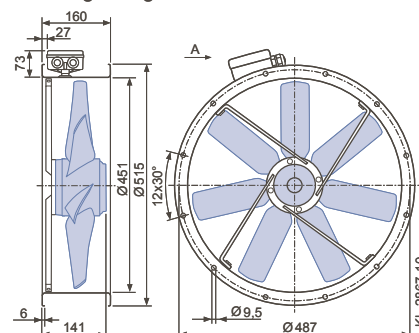
## Dimensions [mm]

### Airflow direction A

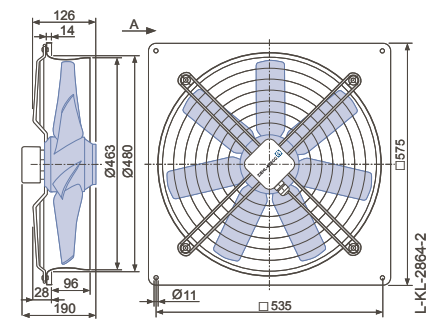
Design F - flange ring with two flanges and guard grille



Design F - flange ring with two flanges without guard grille



Design Q - square, full bell mouth



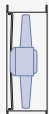
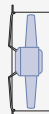
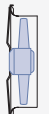
Performance data

Type	Characteristic curve	Voltage	Operating point	Current	Motor input power	Speed	Suction side sound power level
		U [V]		I [A]	P <sub>1</sub> [W]	n [min <sup>-1</sup> ]	
FC045-4E_.4C.A7	I	230*	②	1.60*	360*	1370*	78
		230	③	1.40	320	1390	78
	II	160	⑤	1.95	300	1060	72
		160	⑥	1.65	270	1220	75
	III	130	⑧	1.75	210	700	63
		130	⑨	1.70	200	820	66
	IV	105	⑪	1.50	135	530	56
		105	⑫	1.45	135	570	58

\*rated data

Fan ordering information

**Airflow direction A**

Design	F (with contact protection)	F (without guard grille)	Q
			
<b>Type</b>	<b>FC045-4EF.4C.A7</b>	<b>FC045-4EF.4C.A7</b>	<b>FC045-4EQ.4C.A7</b>
<b>Article no.</b>	<b>132227</b>	<b>132225</b>	<b>125166</b>
<b>Weight [kg]</b>	11.40	10.90	11.10

Control technology

Frequency inverter Fcontrol 1~	Motor protection units 1~	Transformer-based controllers 1~	Electronic voltage controllers 1~
			
➤ Page 552	➤ Page 596	➤ Page 587	➤ Page 562

Information

FE2owlet  
ECblue

FE2owlet

FB

FC

System components

Control technology

Appendix

# FC

for single phase alternating current, 6 pole

FC045-6E



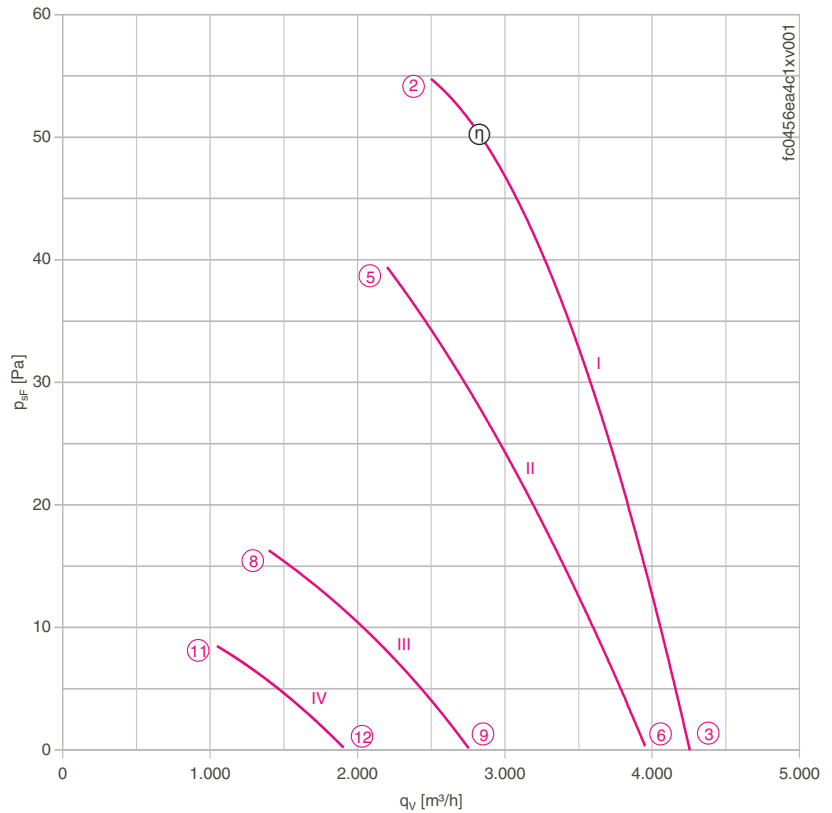
## Description

Motor technology: AC  
 Rated voltage  $U_N$ : 1~ 230 V±10 %\*  
 Rated frequency  $f_N$ : 50 Hz\* (60Hz data available)  
 Motor input power  $P_1$ : 0.17 kW\*  
 Rated current  $I_N$ : 0.77 A\*  
 Rated speed  $n_N$ : 915 min<sup>-1</sup>\*  
 Starting current  $I_s$ : 1.30 A  
 Current increase  $\Delta I$ : 0 %  
 Service capacitor  $C_{400V}$ : 4.0  $\mu$ F  
 Thermal class: **THCL155**\*  
 Min. permitted conveyor temperature  $t_{R(min)}$ : -25 °C  
 Max. permitted conveyor temperature  $t_{R(max)}$ : 70 °C  
 Electrical connection: Terminal box  
 Number of blades: 7  
 Protection class: IP54  
 Motor protection: Thermal contact  
 Blades: Aluminium, 1 coat paint, black  
 Rotor: Aluminium, 1 coat paint, black  
 Conformity: ErP 2013, CE

## ErP Data

Efficiency  $\eta_{statA}$ : 25.8 %  
 Efficiency:  $N_{actual} = 37.4 / N_{target} = 36$ \*\*  
 \* Rated data  
 \*\*ErP 2013

## Characteristic curve



Measured in full bell mouth without guard grille in installation type A according to ISO 5801.

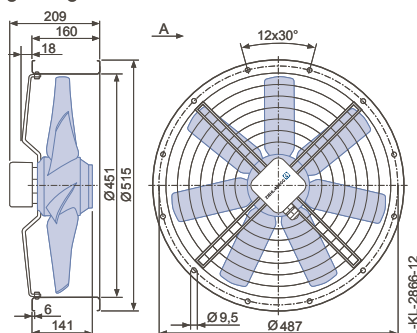
➤ Connection diagram 1360-104XB Page 608

➤ System components Page 524

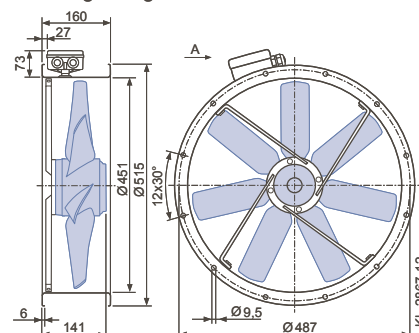
## Dimensions [mm]

### Airflow direction A

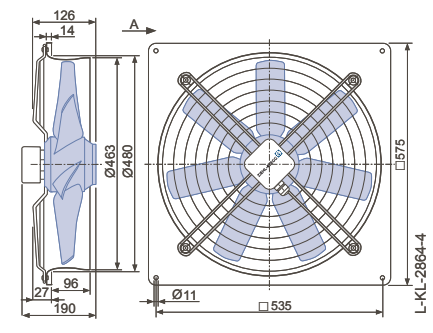
Design F - flange ring with two flanges and guard grille



Design F - flange ring with two flanges without guard grille



Design Q - square, full bell mouth



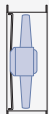
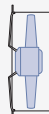
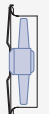
Performance data

Type	Characteristic curve	Voltage	Operating point	Current	Motor input power	Speed	Suction side sound power level
		U [V]		I [A]	P <sub>1</sub> [W]	n [min <sup>-1</sup> ]	L <sub>WAS</sub> [dB]
FC045-6E_.4C.A7	I	230*	②	0.75*	170*	930*	69
		230	③	0.69	150	940	69
	II	160	⑤	0.74	115	780	65
		160	⑥	0.58	105	870	67
	III	130	⑧	0.66	78	550	57
		130	⑨	0.65	78	640	61
	IV	105	⑪	0.55	50	380	
		105	⑫	0.55	50	440	

\*rated data

Fan ordering information

**Airflow direction A**

Design	F (with contact protection)	F (without guard grille)	Q
			
<b>Type</b>	<b>FC045-6EF.4C.A7</b>	<b>FC045-6EF.4C.A7</b>	<b>FC045-6EQ.4C.A7</b>
<b>Article no.</b>	<b>132234</b>	<b>132232</b>	<b>125170</b>
<b>Weight [kg]</b>	11.40	10.90	11.10

Control technology

Frequency inverter Fcontrol 1~	Motor protection units 1~	Transformer-based controllers 1~	Electronic voltage controllers 1~
			
➤ Page 552	➤ Page 596	➤ Page 587	➤ Page 562

# FC

for three phase alternating current, 4 pole

FC045-4D

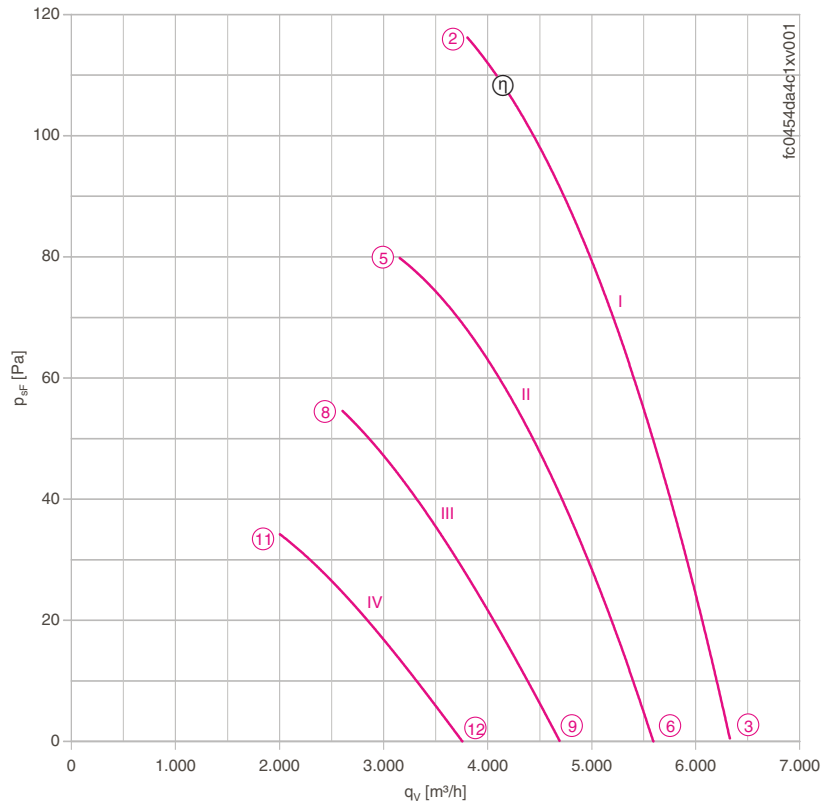


### Description

Motor technology: AC  
 Rated voltage  $U_N$ : 3~ 230/400 V ( $\Delta/Y$ )  $\pm 10$  %\*  
 Rated frequency  $f_N$ : 50 Hz\* (60Hz data available)  
 Motor input power  $P_1$ : 0.36 kW\*  
 Rated current  $I_N$ : 1.40/0.80 A\*  
 Rated speed  $n_N$ : 1380 min<sup>-1</sup>\*  
 Starting current  $I_s$ : 4.60 A / 2.60 A  
 Current increase  $\Delta I$ : 0 %  
 Thermal class: THCL155\*  
 Min. permitted conveyor temperature  $t_{R(min)}$ : -40 °C  
 Max. permitted conveyor temperature  $t_{R(max)}$ : 70 °C  
 Electrical connection: Terminal box  
 Number of blades: 7  
 Protection class: IP54  
 Motor protection: Thermal contact  
 Blades: Aluminium, 1 coat paint, black  
 Rotor: Aluminium, 1 coat paint, black  
 Conformity: ErP 2015, CE

**ErP Data**  
 Efficiency  $\eta_{statA}$ : 36.8 %  
 Efficiency:  $N_{actual} = 46.0 / N_{target} = 40$ \*\*  
 \* Rated data  
 \*\*ErP 2015

### Characteristic curve



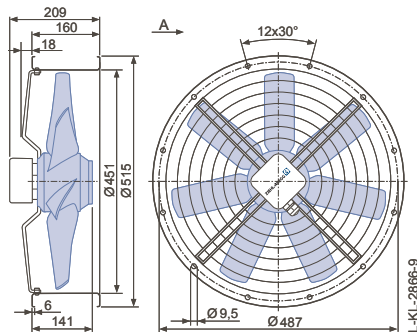
Measured in full bell mouth without guard grille in installation type A according to ISO 5801.

- Connection diagram 1360-106XB Page 608
- System components Page 524

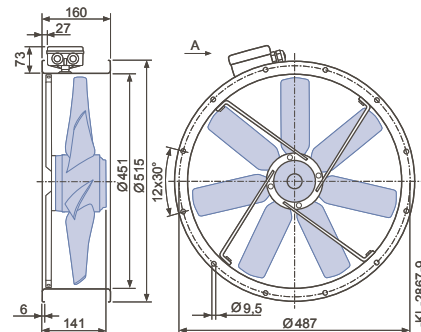
### Dimensions [mm]

#### Airflow direction A

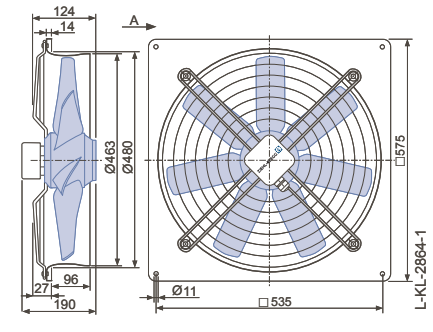
Design F - flange ring with two flanges and guard grille



Design F - flange ring with two flanges without guard grille



Design Q - square, full bell mouth



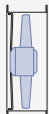
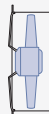
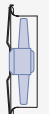
Performance data

Type	Characteristic curve	Voltage	Operating point	Current	Motor input power	Speed	Suction side sound power level
		U [V]		I [A]	P <sub>1</sub> [W]	n [min <sup>-1</sup> ]	
FC045-4D_4C.A7	I	400*	②	0.75*	360*	1390*	78
		400	③	0.74	310	1410	78
	II	230	⑤	0.75	270	1150	74
		230	⑥	0.66	240	1230	75
	III	180	⑧	0.74	210	950	69
		180	⑨	0.68	195	1050	72
	IV	140	⑪	0.66	140	750	64
		140	⑫	0.63	135	830	66





\*rated data

Fan ordering information

**Airflow direction A**

Design	F (with contact protection)	F (without guard grille)	Q
			
<b>Type</b>	<b>FC045-4DF.4C.A7</b>	<b>FC045-4DF.4C.A7</b>	<b>FC045-4DQ.4C.A7</b>
<b>Article no.</b>	<b>132223</b>	<b>132221</b>	<b>125158</b>
<b>Weight [kg]</b>	11.40	10.90	11.10

Control technology

Frequency inverter Fcontrol 3~	Motor protection units 3~	Transformer-based controllers 3~	Electronic voltage controllers 3~
			
➤ Page 558	➤ Page 596	➤ Page 591	➤ Page 578



# FC

for three phase alternating current, 6 pole

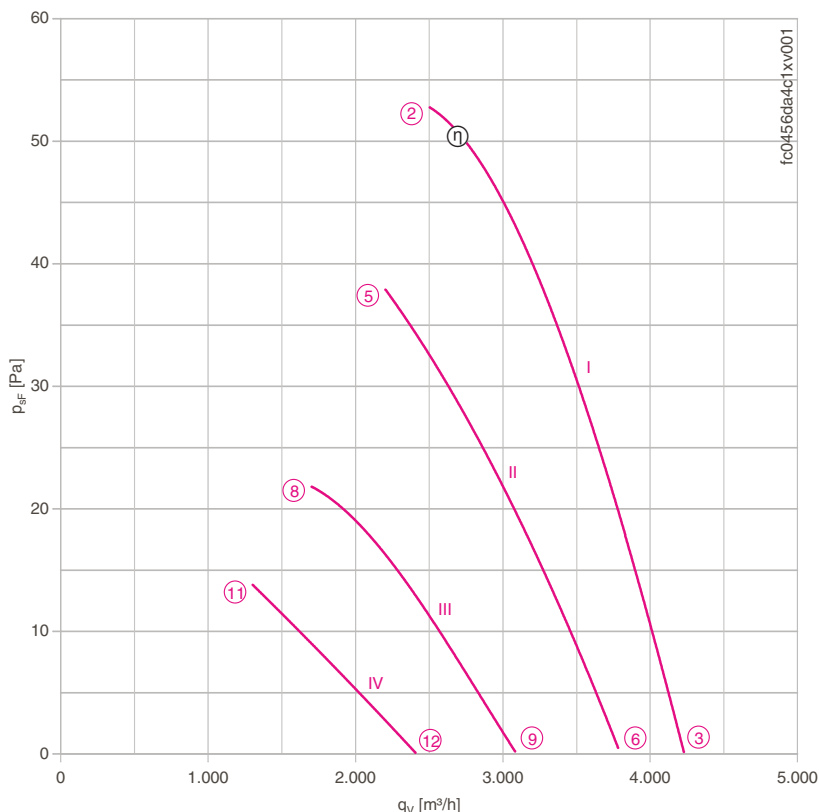
FC045-6D



## Description

Motor technology: AC  
 Rated voltage  $U_N$ : 3~ 230/400 V ( $\Delta/Y$ )  $\pm 10$  %\*  
 Rated frequency  $f_N$ : 50 Hz\* (60Hz data available)  
 Motor input power  $P_1$ : 0.12 kW\*  
 Rated current  $I_N$ : 0.48/0.28 A\*  
 Rated speed  $n_N$ : 890 min<sup>-1</sup>\*  
 Starting current  $I_s$ : 1.30 A / 0.75 A  
 Current increase  $\Delta I$ : 0 %  
 Thermal class: THCL155\*  
 Min. permitted conveyor temperature  $t_{R(min)}$ : -40 °C  
 Max. permitted conveyor temperature  $t_{R(max)}$ : 70 °C  
 Electrical connection: Terminal box  
 Number of blades: 7  
 Protection class: IP54  
 Motor protection: Thermal contact  
 Blades: Aluminium, 1 coat paint, black  
 Rotor: Aluminium, 1 coat paint, black  
 Conformity: CE  
**ErP Data**  
 Is not subject to the ErP Guidelines ( $P_1 < 125$  W)  
 \* Rated data

## Characteristic curve



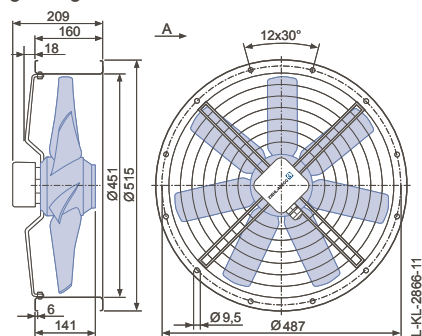
Measured in full bell mouth without guard grille in installation type A according to ISO 5801.

- Connection diagram 1360-106XB Page 608
- System components Page 524

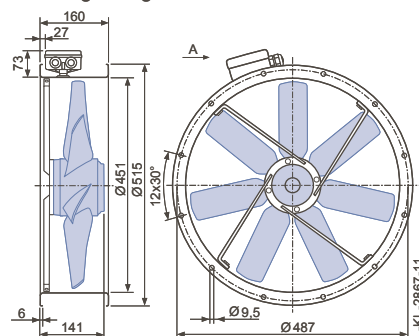
## Dimensions [mm]

### Airflow direction A

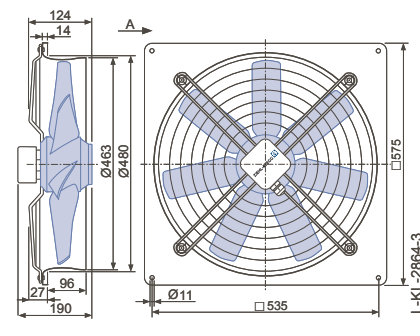
Design F - flange ring with two flanges and guard grille



Design F - flange ring with two flanges without guard grille



Design Q - square, full bell mouth



Performance data

Type	Characteristic curve	Voltage	Operating point	Current	Motor input power	Speed	Suction side sound power level
		U [V]		I [A]	P <sub>1</sub> [W]	n [min <sup>-1</sup> ]	L <sub>WAS</sub> [dB]
FC045-6D_4C.A7	I	400*	②	0.35*	125*	940*	69
		400	③	0.34	110	950	69
	II	230	⑤	0.32	92	790	65
		230	⑥	0.29	81	840	67
	III	180	⑧	0.31	68	620	60
		180	⑨	0.29	64	700	63
	IV	140	⑪	0.27	44	470	54
		140	⑫	0.26	43	540	57

\*rated data

Fan ordering information

**Airflow direction A**

Design	F (with contact protection)	F (without guard grille)	Q
<b>Type</b>	<b>FC045-6DF.4C.A7</b>	<b>FC045-6DF.4C.A7</b>	<b>FC045-6DQ.4C.A7</b>
<b>Article no.</b>	<b>132231</b>	<b>132229</b>	<b>125162</b>
<b>Weight [kg]</b>	11.40	10.90	11.10

Control technology

Frequency inverter Fcontrol 3~	Motor protection units 3~	Transformer-based controllers 3~	Electronic voltage controllers 3~
➤ Page 558	➤ Page 596	➤ Page 591	➤ Page 578

# FC

for single phase alternating current, 4 pole

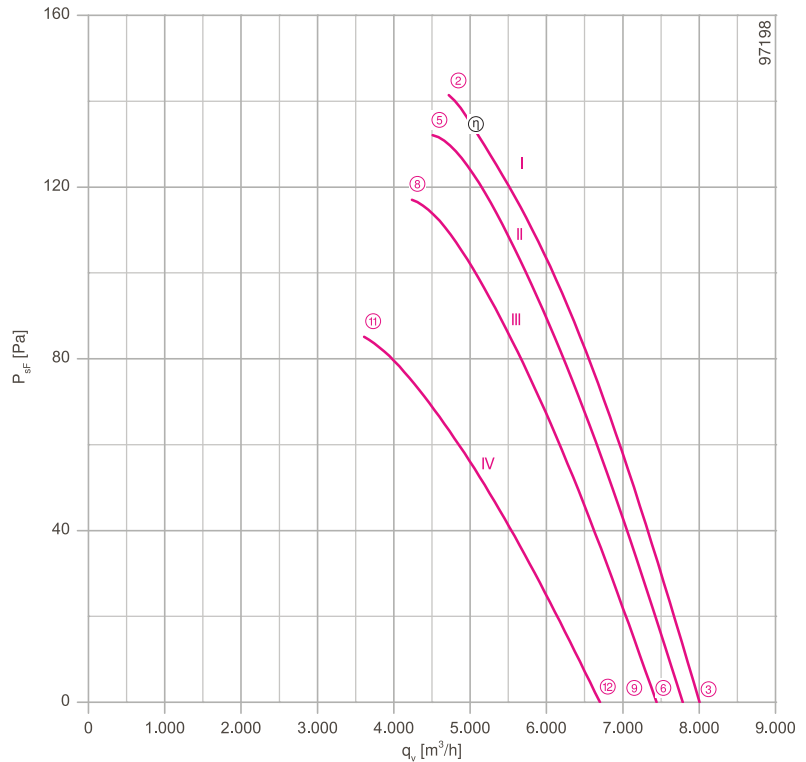
FC050-4E



## Description

Motor technology: AC  
 Rated voltage  $U_N$ : 1~ 230 V $\pm$ 10 %\*  
 Rated frequency  $f_N$ : 50 Hz\* (60Hz data available)  
 Motor input power  $P_1$ : 0.59 kW\*  
 Rated current  $I_N$ : 2.60 A\*  
 Rated speed  $n_N$ : 1340 min<sup>-1</sup>\*  
 Current increase  $\Delta I$ : 10 %  
 Service capacitor  $C_{400V}$ : 14.0  $\mu$ F  
 Thermal class: THCL155\*  
 Min. permitted conveyor temperature  $t_{R(min)}$ : -25 °C  
 Max. permitted conveyor temperature  $t_{R(max)}$ : 70 °C  
 Electrical connection: Terminal box  
 Number of blades: 7  
 Protection class: IP54  
 Motor protection: Thermal contact  
 Blades: Aluminium, 1 coat paint, black  
 Rotor: Aluminium, 1 coat paint, black  
 Conformity: ErP 2015, CE  
**ErP Data**  
 Efficiency  $\eta_{statA}$ : 32.8 %  
 Efficiency:  $N_{actual} = 40.6 / N_{target} = 40$ \*\*  
 \* Rated data  
 \*\*ErP 2015

## Characteristic curve



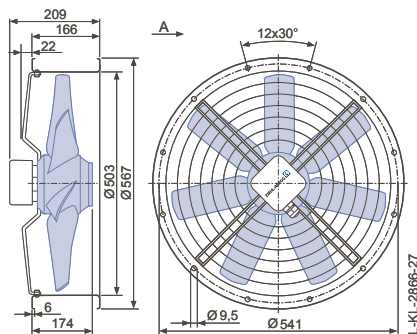
Measured in full bell mouth without guard grille in installation type A according to ISO 5801.

- Connection diagram 1360-104XB Page 608
- System components Page 524

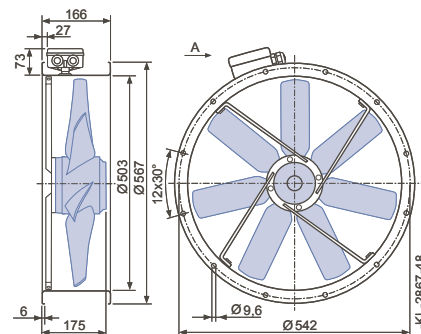
## Dimensions [mm]

### Airflow direction A

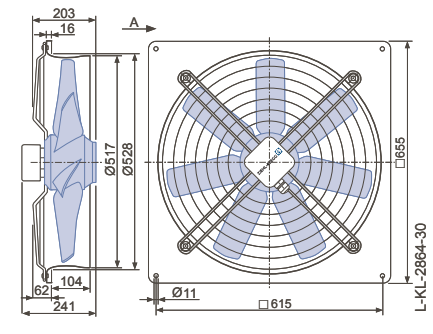
Design F - flange ring with two flanges and guard grille



Design F - flange ring with two flanges without guard grille



Design Q - square, full bell mouth



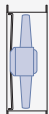
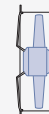
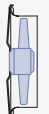
Performance data

Type	Characteristic curve	Voltage	Operating point	Current	Motor input power	Speed	Suction side sound power level
		U [V]		I [A]	P <sub>1</sub> [W]	n [min <sup>-1</sup> ]	
FC050-4E_4I_7	I	230*	②	2.60*	580*	1340*	82
		230	③	2.30	500	1380	79
	II	200	⑤	2.60	520	1290	81
		200	⑥	2.20	440	1340	79
	III	170	⑧	2.70	460	1220	80
		170	⑨	2.30	390	1280	78
	IV	135	⑪	2.80	370	1040	76
		135	⑫	2.40	320	1160	75

\*rated data

Fan ordering information

**Airflow direction A**

Design	F (with contact protection)	F (without guard grille)	Q
			
<b>Type</b>	<b>FC050-4EF.4I.A7</b>	<b>FC050-4EF.4I.A7</b>	<b>FC050-4EQ.4I.A7</b>
<b>Article no.</b>	<b>160113</b>	<b>160112</b>	<b>160111</b>
<b>Weight [kg]</b>	18.40	15.20	15.90

Control technology

Frequency inverter Fcontrol 1~	Motor protection units 1~	Transformer-based controllers 1~	Electronic voltage controllers 1~
			
➤ Page 552	➤ Page 596	➤ Page 587	➤ Page 562

# FC

for single phase alternating current, 6 pole

FC050-6E



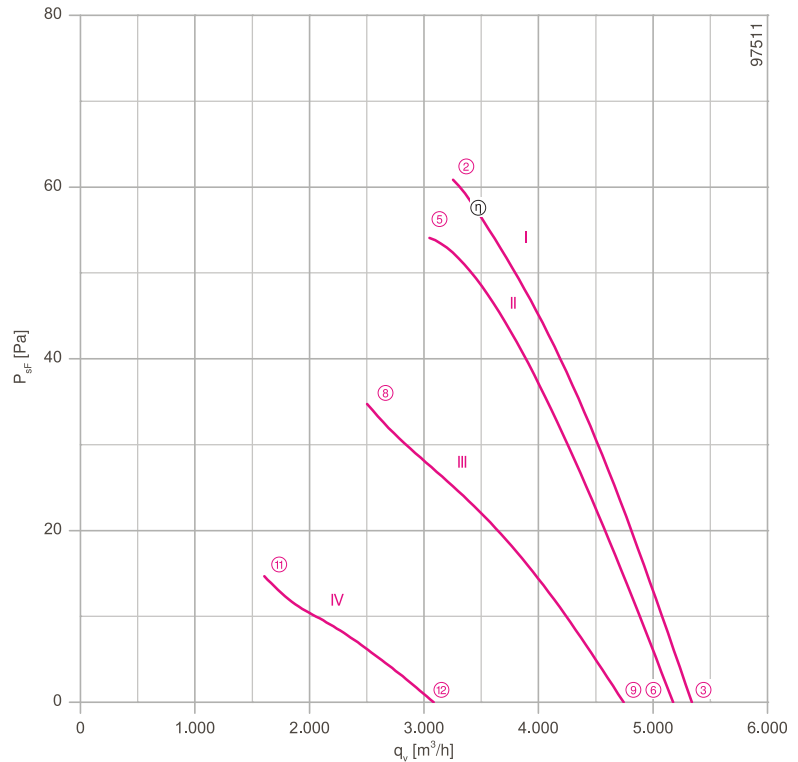
## Description

Motor technology: AC  
 Rated voltage  $U_N$ : 1~ 230 V±10 %\*  
 Rated frequency  $f_N$ : 50 Hz\* (60Hz data available)  
 Motor input power  $P_1$ : 0.18 kW\*  
 Rated current  $I_N$ : 0.84 A\*  
 Rated speed  $n_N$ : 890 min<sup>-1</sup>\*  
 Starting current  $I_s$ : 1.60 A  
 Current increase  $\Delta I$ : 0 %  
 Service capacitor  $C_{400V}$ : 6.0  $\mu$ F  
 Thermal class: **THCL155**\*  
 Min. permitted conveyor temperature  $t_{R(min)}$ : -25 °C  
 Max. permitted conveyor temperature  $t_{R(max)}$ : 70 °C  
 Electrical connection: Terminal box  
 Number of blades: 7  
 Protection class: IP54  
 Motor protection: Thermal contact  
 Blades: Aluminium, 1 coat paint, black  
 Rotor: Aluminium, 1 coat paint, black  
 Conformity: ErP 2015, CE

## ErP Data

Efficiency  $\eta_{statA}$ : 30.8 %  
 Efficiency:  $N_{actual} = 41.8 / N_{target} = 40$ \*\*  
 \* Rated data  
 \*\*ErP 2015

## Characteristic curve



Measured in full bell mouth without guard grille in installation type A according to ISO 5801.

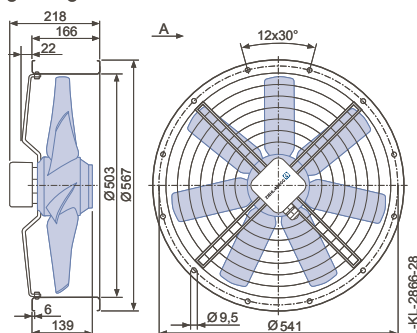
➤ Connection diagram 1360-104XB Page 608

➤ System components Page 524

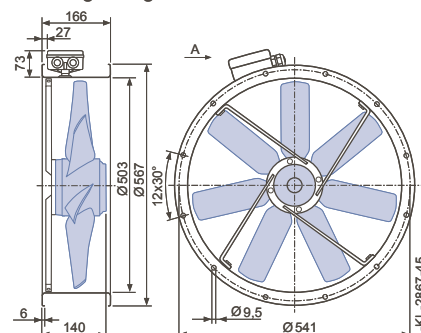
## Dimensions [mm]

### Airflow direction A

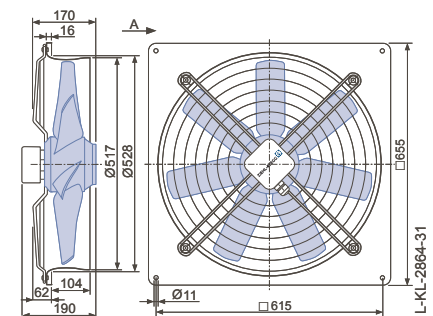
Design F - flange ring with two flanges and guard grille



Design F - flange ring with two flanges without guard grille



Design Q - square, full bell mouth



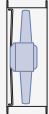
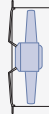
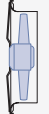
### Performance data

Type	Characteristic curve	Voltage	Operating point	Current	Motor input power	Speed	Suction side sound power level
		U [V]		I [A]	P <sub>1</sub> [W]	n [min <sup>-1</sup> ]	L <sub>WAS</sub> [dB]
FC050-6E_.4C._7	I	230*	②	0.84*	180*	890*	71
		230	③	0.72	160	920	70
	II	200	⑤	0.84	160	840	70
		200	⑥	0.70	140	900	69
	III	170	⑧	0.88	140	690	67
		170	⑨	0.74	120	830	68
	IV	135	⑪	0.76	90	440	62
		135	⑫	0.74	85	540	63

\*rated data

### Fan ordering information

**Airflow direction A**

Design	F (with contact protection)	F (without guard grille)	Q
			
<b>Type</b>	<b>FC050-6EF.4C.A7</b>	<b>FC050-6EF.4C.A7</b>	<b>FC050-6EQ.4C.A7</b>
<b>Article no.</b>	<b>160087</b>	<b>160086</b>	<b>160085</b>
<b>Weight [kg]</b>	15.30	12.00	12.80

### Control technology

<p>Frequency inverter Fcontrol 1~</p>  <p>➤ Page 552</p>	<p>Motor protection units 1~</p>  <p>➤ Page 596</p>	<p>Transformer-based controllers 1~</p>  <p>➤ Page 587</p>	<p>Electronic voltage controllers 1~</p>  <p>➤ Page 562</p>
--	---	--	--

# FC

for three phase alternating current, 4 pole

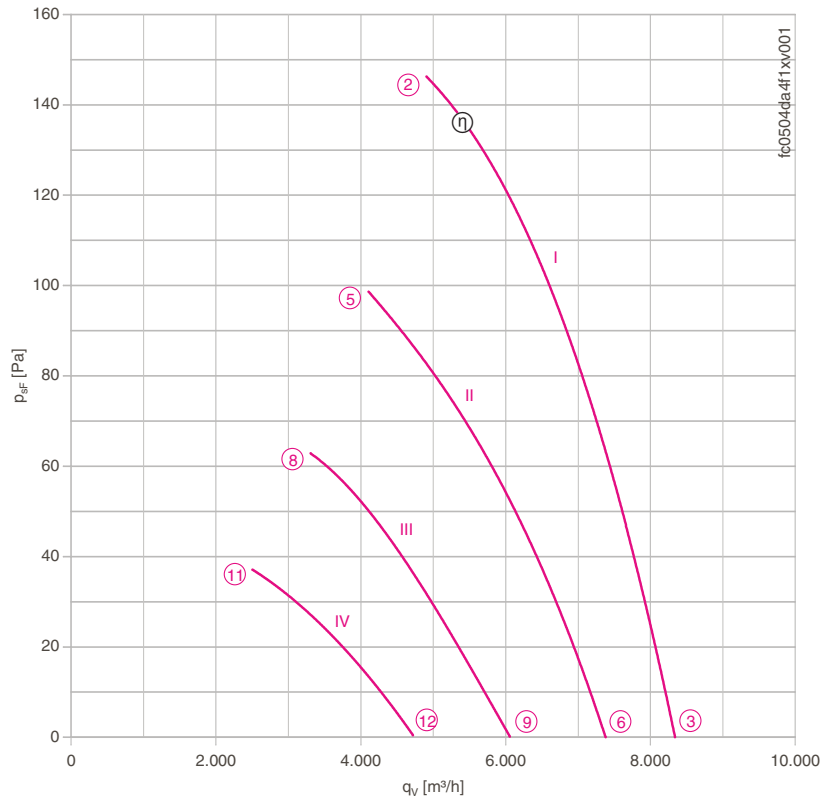
FC050-4D



## Description

Motor technology: AC  
 Rated voltage  $U_N$ : 3~ 230/400 V ( $\Delta/Y$ )  $\pm 10$  %\*  
 Rated frequency  $f_N$ : 50 Hz\*  
 Motor input power  $P_1$ : 0.55 kW\*  
 Rated current  $I_N$ : 1.80/1.05 A\*  
 Rated speed  $n_N$ : 1380 min<sup>-1</sup>\*  
 Starting current  $I_A$ : 7.00 A / 4.20 A  
 Current increase  $\Delta I$ : 10 %  
 Thermal class: **THCL155**\*  
 Min. permitted conveyor temperature  $t_{R(min)}$ : -40 °C  
 Max. permitted conveyor temperature  $t_{R(max)}$ : 70 °C  
 Electrical connection: Terminal box  
 Number of blades: 7  
 Protection class: IP54  
 Motor protection: Thermal contact  
 Blades: Aluminium, 1 coat paint, black  
 Rotor: Aluminium, 1 coat paint, black  
 Conformity: ErP 2015, CE  
**ErP Data**  
 Efficiency  $\eta_{statA}$ : 39.9 %  
 Efficiency:  $N_{actual} = 48.0 / N_{target} = 40$ \*\*  
 \* Rated data  
 \*\*ErP 2015

## Characteristic curve



Measured in full bell mouth without guard grille in installation type A according to ISO 5801.

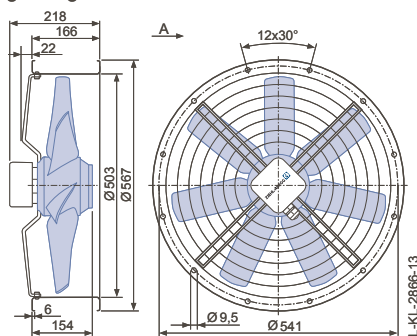
➤ Connection diagram 1360-106XB Page 608

➤ System components Page 524

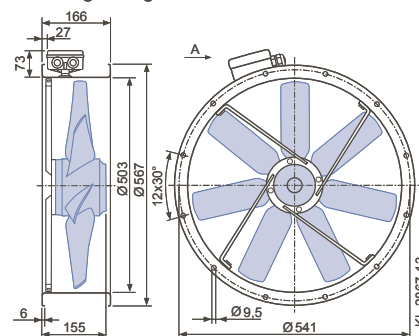
## Dimensions [mm]

### Airflow direction A

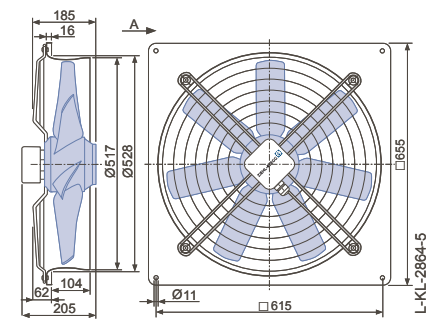
Design F - flange ring with two flanges and guard grille



Design F - flange ring with two flanges without guard grille



Design Q - square, full bell mouth

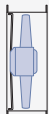
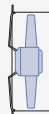
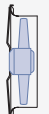


### Performance data




Type	Characteristic curve	Voltage	Operating point	Current	Motor input power	Speed	Suction side sound power level
		U [V]		I [A]	P <sub>1</sub> [W]	n [min <sup>-1</sup> ]	L <sub>WAS</sub> [dB]
FC050-4D_4F.A7	I	400*	②	1.05*	550*	1380*	81
		400	③	0.92	430	1410	84
	II	230	⑤	1.20	430	1140	77
		230	⑥	1.00	360	1240	81
	III	180	⑧	1.20	320	910	72
		180	⑨	1.05	290	1040	77
	IV	140	⑪	1.00	200	710	67
		140	⑫	0.97	220	820	72

\*rated data

### Fan ordering information

Airflow direction A			
Design	F (with contact protection)	F (without guard grille)	Q
			
<b>Type</b>	<b>FC050-4DF.4F.A7</b>	<b>FC050-4DF.4F.A7</b>	<b>FC050-4DQ.4F.A7</b>
<b>Article no.</b>	<b>132285</b>	<b>132283</b>	<b>130753</b>
<b>Weight [kg]</b>	14.10	13.40	16.60

### Control technology

Frequency inverter Fcontrol 3~	Motor protection units 3~	Transformer-based controllers 3~	Electronic voltage controllers 3~
			
➤ Page 558	➤ Page 596	➤ Page 591	➤ Page 578



# FC

for three phase alternating current, 6 pole

FC050-6D

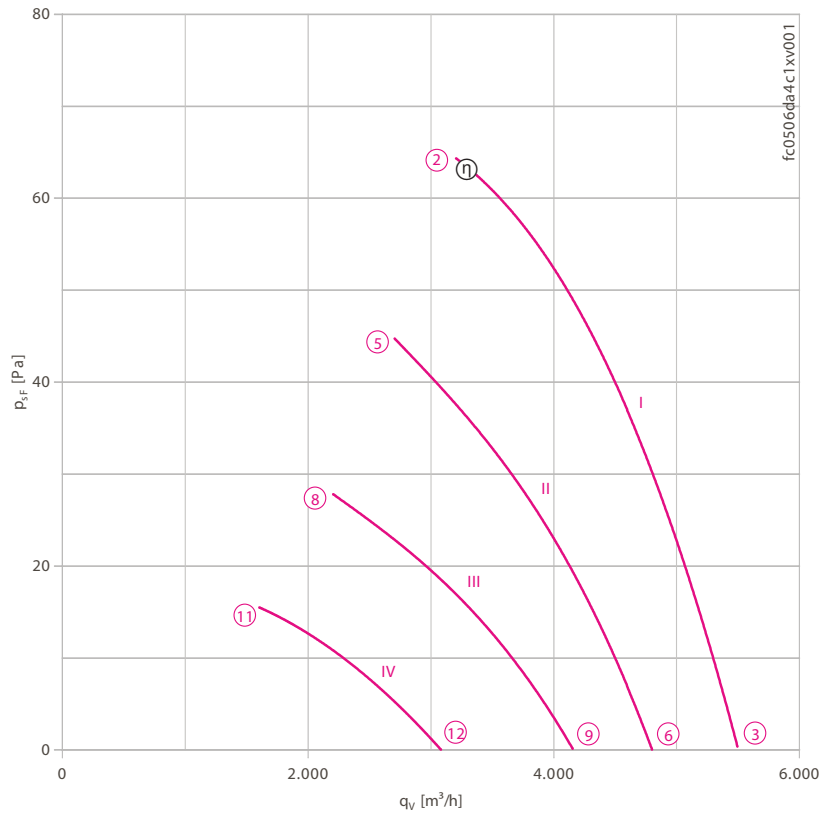


## Description

Motor technology: AC  
 Rated voltage  $U_N$ : 3~ 230/400 V ( $\Delta/Y$ )  $\pm 10$  %\*  
 Rated frequency  $f_N$ : 50 Hz\* (60Hz data available)  
 Motor input power  $P_1$ : 0.20 kW\*  
 Rated current  $I_N$ : 0.97/0.56 A\*  
 Rated speed  $n_N$ : 920 min<sup>-1</sup>\*  
 Starting current  $I_s$ : 2.80 A / 1.60 A  
 Current increase  $\Delta I$ : 0 %  
 Thermal class: THCL155\*  
 Min. permitted conveyor temperature  $t_{R(min)}$ : -40 °C  
 Max. permitted conveyor temperature  $t_{R(max)}$ : 70 °C  
 Electrical connection: Terminal box  
 Number of blades: 7  
 Protection class: IP54  
 Motor protection: Thermal contact  
 Blades: Aluminium, 1 coat paint, black  
 Rotor: Aluminium, 1 coat paint, black  
 Conformity: ErP 2015, CE

**ErP Data**  
 Efficiency  $\eta_{statA}$ : 31.1 %  
 Efficiency:  $N_{actual} = 41.8 / N_{target} = 40$ \*\*  
 \* Rated data  
 \*\*ErP 2015

## Characteristic curve



Measured in full bell mouth without guard grille in installation type A according to ISO 5801.

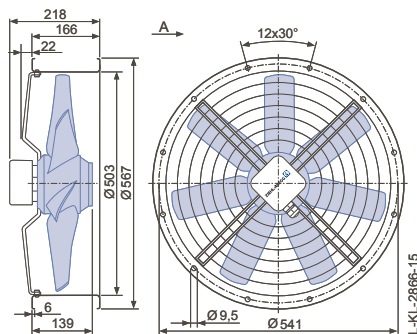
➤ Connection diagram 1360-106XB Page 608

➤ System components Page 524

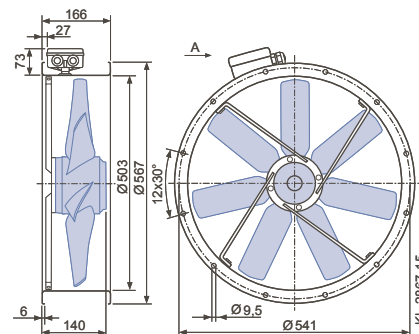
## Dimensions [mm]

### Airflow direction A

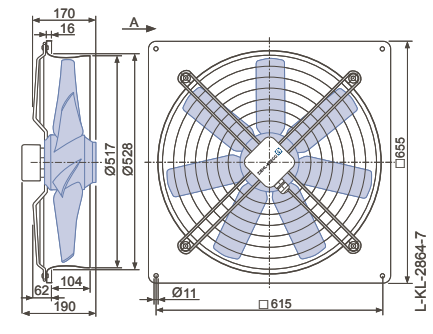
Design F - flange ring with two flanges and guard grille



Design F - flange ring with two flanges without guard grille



Design Q - square, full bell mouth



Performance data

Type	Characteristic curve	Voltage	Operating point	Current	Motor input power	Speed	Suction side sound power level
		U [V]		I [A]	P <sub>1</sub> [W]	n [min <sup>-1</sup> ]	L <sub>WAS</sub> [dB]
FC050-6D_4C.A7	I	400*	②	0.56*	200*	920*	72
		400	③	0.53	170	940	75
	II	230	⑤	0.49	140	770	68
		230	⑥	0.43	120	830	72
	III	180	⑧	0.47	105	610	63
		180	⑨	0.43	91	700	68
	IV	140	⑪	0.40	64	470	58
		140	⑫	0.38	62	530	62

\*rated data

Fan ordering information

**Airflow direction A**

Design	F (with contact protection)	F (without guard grille)	Q
<b>Type</b>	<b>FC050-6DF.4C.A7</b>	<b>FC050-6DF.4C.A7</b>	<b>FC050-6DQ.4C.A7</b>
<b>Article no.</b>	<b>132293</b>	<b>132291</b>	<b>132303</b>
<b>Weight [kg]</b>	12.70	12.00	15.30

Control technology

Frequency inverter Fcontrol 3~	Motor protection units 3~	Transformer-based controllers 3~	Electronic voltage controllers 3~
➤ Page 558	➤ Page 596	➤ Page 591	➤ Page 578

# FC

for single phase alternating current, 6 pole

FC056-6E



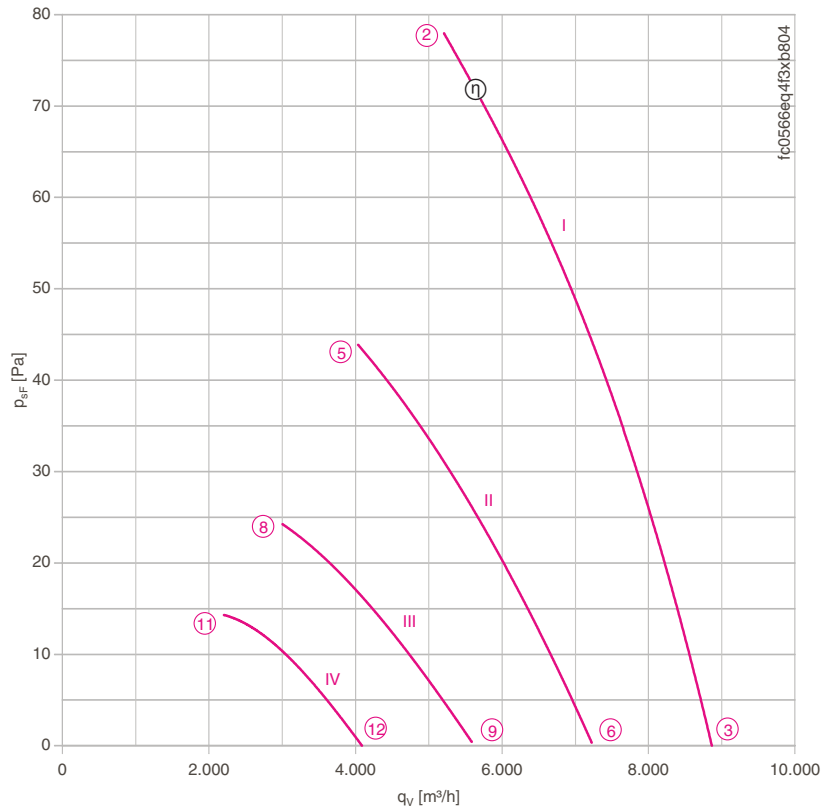
## Description

Motor technology: AC  
 Rated voltage  $U_N$ : 1~ 230 V $\pm$ 10 %\*  
 Rated frequency  $f_N$ : 50 Hz\*  
 Motor input power  $P_1$ : 0.43 kW\*  
 Rated current  $I_N$ : 1.95 A\*  
 Rated speed  $n_N$ : 880 min<sup>-1</sup>\*  
 Starting current  $I_s$ : 3.60 A  
 Current increase  $\Delta I$ : 0 %  
 Service capacitor  $C_{400V}$ : 10.0  $\mu$ F  
 Thermal class: **THCL155**\*  
 Min. permitted conveyor temperature  $t_{R(min)}$ : -25 °C  
 Max. permitted conveyor temperature  $t_{R(max)}$ : 65 °C  
 Electrical connection: Terminal box  
 Number of blades: 7  
 Protection class: IP54  
 Motor protection: Thermal contact  
 Blades: Aluminium, 1 coat paint, black  
 Rotor: Aluminium, 1 coat paint, black  
 Conformity: ErP 2013, CE

## ErP Data

Efficiency  $\eta_{statA}$ : 27.9 %  
 Efficiency:  $N_{actual} = 36.7 / N_{target} = 36$ \*\*  
 \* Rated data  
 \*\*ErP 2013

## Characteristic curve



Measured in full bell mouth without guard grille in installation type A according to ISO 5801.

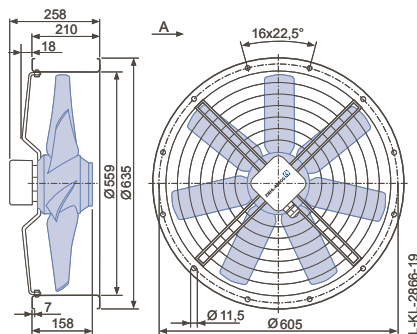
➤ Connection diagram 1360-104XB Page 608

➤ System components Page 524

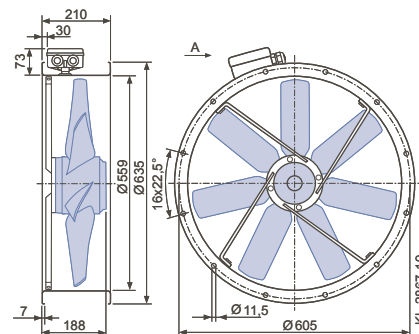
## Dimensions [mm]

### Airflow direction A

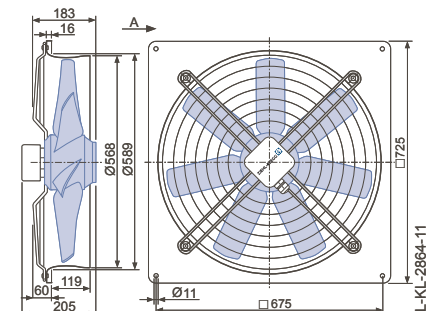
Design F - flange ring with two flanges and guard grille



Design F - flange ring with two flanges without guard grille



Design Q - square, full bell mouth



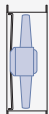
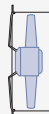
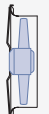
Performance data

Type	Characteristic curve	Voltage	Operating point	Current	Motor input power	Speed	Suction side sound power level
		U [V]		I [A]	P <sub>1</sub> [W]	n [min <sup>-1</sup> ]	
FC056-6E_.4F.A7	I	230*	②	1.95*	430*	880*	75
		230	③	1.80	390	900	74
	II	160	⑤	1.85	280	670	69
		160	⑥	1.70	260	740	70
	III	130	⑧	1.65	195	500	62
		130	⑨	1.60	190	580	64
	IV	105	⑪	1.40	130	390	60
		105	⑫	1.35	125	430	57

\*rated data

Fan ordering information

**Airflow direction A**

Design	F (with contact protection)	F (without guard grille)	Q
			
<b>Type</b>	<b>FC056-6EF.4F.A7</b>	<b>FC056-6EF.4F.A7</b>	<b>FC056-6EQ.4F.A7</b>
<b>Article no.</b>	<b>132349</b>	<b>132347</b>	<b>130748</b>
<b>Weight [kg]</b>	16.70	16.00	19.10

Control technology

Frequency inverter Fcontrol 1~	Motor protection units 1~	Transformer-based controllers 1~	Electronic voltage controllers 1~
			
➤ Page 552	➤ Page 596	➤ Page 587	➤ Page 562

# FC

for three phase alternating current, 4 pole

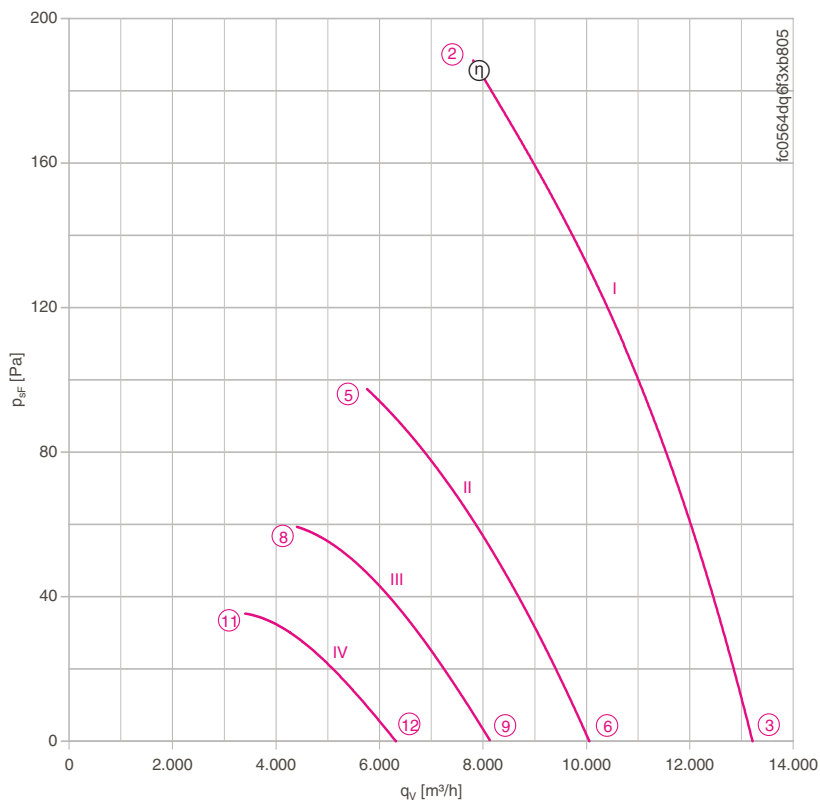
FC056-4D



## Description

Motor technology: AC  
 Rated voltage  $U_N$ : 3~ 230/400 V ( $\Delta/Y$ )  $\pm 10$  %\*  
 Rated frequency  $f_N$ : 50 Hz\*  
 Motor input power  $P_1$ : 1.25 kW\*  
 Rated current  $I_N$ : 3.80/2.20 A\*  
 Rated speed  $n_N$ : 1300 min<sup>-1</sup>\*  
 Starting current  $I_s$ : 16.00 A / 9.50 A  
 Current increase  $\Delta I$ : 10 %  
 Thermal class: THCL155\*  
 Min. permitted conveyor temperature  $t_{R(min)}$ : -40 °C  
 Max. permitted conveyor temperature  $t_{R(max)}$ : 60 °C  
 Electrical connection: Terminal box  
 Number of blades: 7  
 Protection class: IP54  
 Motor protection: Thermal contact  
 Blades: Aluminium, 1 coat paint, black  
 Rotor: Aluminium, 1 coat paint, black  
 Conformity: ErP 2015, CE  
**ErP Data**  
 Efficiency  $\eta_{statA}$ : 34.6 %  
 Efficiency:  $N_{actual} = 40.4 / N_{target} = 40$ \*\*  
 \* Rated data  
 \*\*ErP 2015

## Characteristic curve



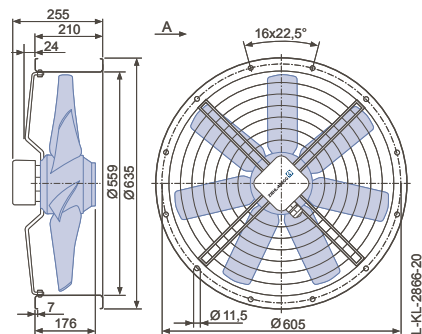
Measured in full bell mouth without guard grille in installation type A according to ISO 5801.

- Connection diagram 1360-106XB Page 608
- System components Page 524

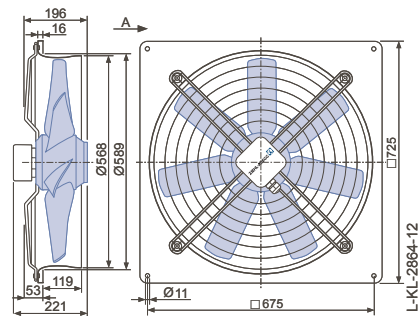
## Dimensions [mm]

### Airflow direction A

Design F - flange ring with two flanges without guard grille



Design Q - square, full bell mouth




### Performance data

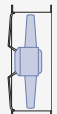
Type	Characteristic curve	Voltage	Operating point	Current	Motor input power	Speed	Suction side sound power level
		U [V]		I [A]	P <sub>1</sub> [W]	n [min <sup>-1</sup> ]	L <sub>WAS</sub> [dB]
FC056-4D_.6F.A7	I	400*	②	2.20*	1250*	1300*	83
		400	③	1.90	1050	1340	83
	II	230	⑤	2.40	780	950	76
		230	⑥	2.20	720	1030	78
	III	180	⑧	2.20	550	760	71
		180	⑨	2.10	530	830	73
	IV	140	⑪	1.90	360	600	66
		140	⑫	1.80	350	660	68

\*rated data

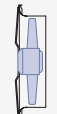
### Fan ordering information

**Airflow direction A** 

Design F (without guard grille) Q





**Type** FC056-4DF.6F.A7  
**Article no.** 132422



**Type** FC056-4DQ.6F.A7  
**Article no.** 125189

Weight [kg] 25.00 23.40

### Control technology

<p>Frequency inverter Fcontrol 3~</p>  <p>➤ Page 558</p>	<p>Motor protection units 3~</p>  <p>➤ Page 596</p>	<p>Transformer-based controllers 3~</p>  <p>➤ Page 591</p>	<p>Electronic voltage controllers 3~</p>  <p>➤ Page 578</p>
---	--	---	--

# FC

for three phase alternating current, 4 pole

FC056-4D



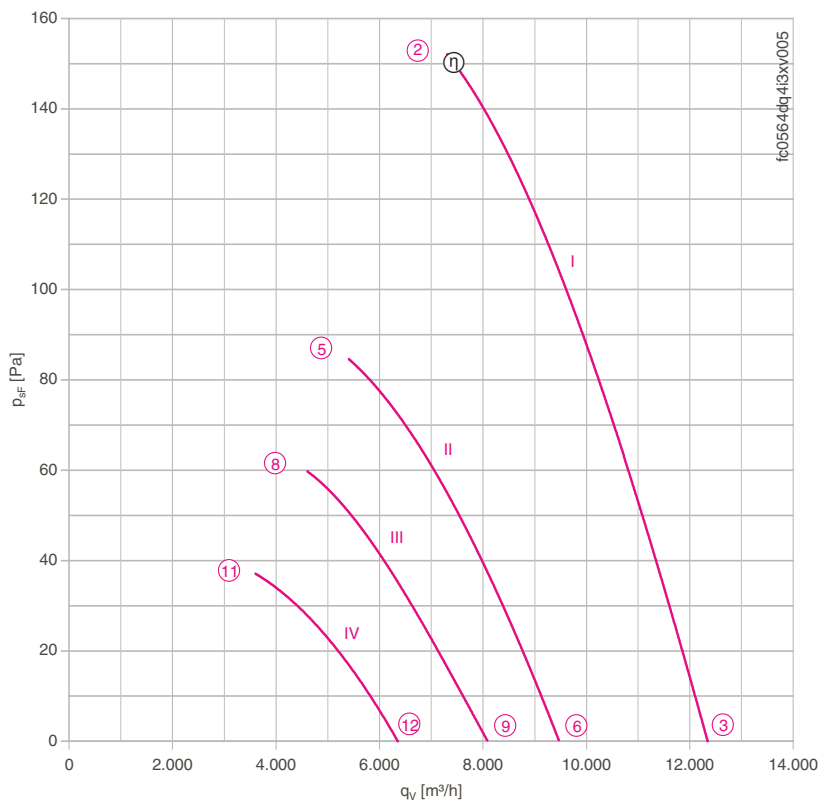
## Description

Motor technology: AC  
 Rated voltage  $U_N$ : 3~ 230/400 V ( $\Delta/Y$ )  $\pm 10$  %\*  
 Rated frequency  $f_N$ : 50 Hz\*  
 Motor input power  $P_1$ : 1.00 kW\*  
 Rated current  $I_N$ : 3.10/1.80 A\*  
 Rated speed  $n_N$ : 1220 min<sup>-1</sup>\*  
 Starting current  $I_s$ : 12.00 A / 7.00 A  
 Current increase  $\Delta I$ : 0 %  
 Thermal class: THCL155\*  
 Min. permitted conveyor temperature  $t_{R(min)}$ : -40 °C  
 Max. permitted conveyor temperature  $t_{R(max)}$ : 60 °C  
 Electrical connection: Terminal box  
 Number of blades: 7  
 Protection class: IP54  
 Motor protection: Thermal contact  
 Blades: Aluminium, 1 coat paint, black  
 Rotor: Aluminium, 1 coat paint, black  
 Conformity: ErP 2015, CE

## ErP Data

Efficiency  $\eta_{statA}$ : 32.5 %  
 Efficiency:  $N_{actual} = 40.3 / N_{target} = 40$ \*\*  
 Frequency inverter required  
 \* Rated data  
 \*\*ErP 2015

## Characteristic curve



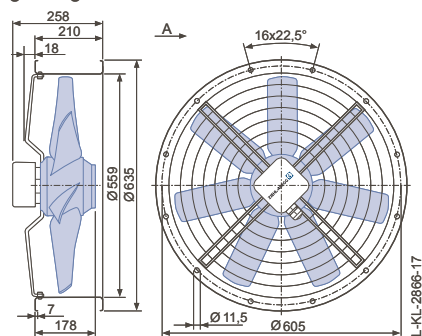
Measured in full bell mouth without guard grille in installation type A according to ISO 5801.

- Connection diagram 1360-106XB Page 608
- System components Page 524

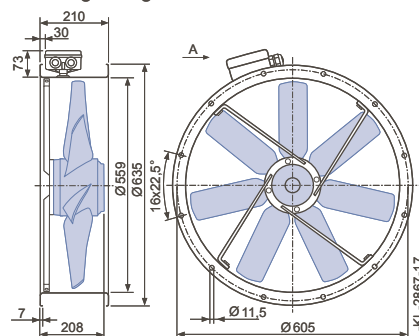
## Dimensions [mm]

### Airflow direction A

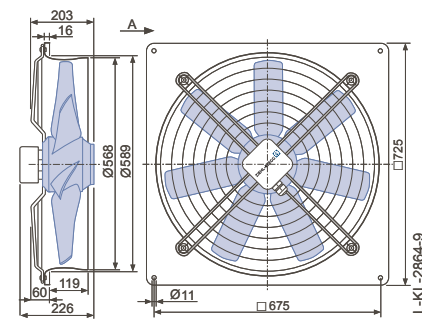
Design F - flange ring with two flanges and guard grille



Design F - flange ring with two flanges without guard grille



Design Q - square, full bell mouth



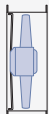
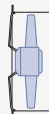
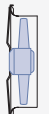
Performance data

Type	Characteristic curve	Voltage	Operating point	Current	Motor input power	Speed	Suction side sound power level
		U [V]		I [A]	P <sub>1</sub> [W]	n [min <sup>-1</sup> ]	L <sub>WAS</sub> [dB]
FC056-4D_4I.A7	I	400*	②	1.80*	1000*	1220*	82
		400	③	1.60	870	1260	81
	II	230	⑤	1.65	600	900	75
		230	⑥	1.55	550	970	76
	III	180	⑧	1.60	450	760	71
		180	⑨	1.50	430	830	71
	IV	140	⑪	1.40	310	620	66
		140	⑫	1.30	290	660	67




\*rated data

Fan ordering information

**Airflow direction A**

Design	F (with contact protection)	F (without guard grille)	Q
			
<b>Type</b>	<b>FC056-4DF.4I.A7</b>	<b>FC056-4DF.4I.A7</b>	<b>FC056-4DQ.4I.A7</b>
<b>Article no.</b>	<b>132301</b>	<b>132299</b>	<b>130749</b>
<b>Weight [kg]</b>	18.40	17.70	20.80

Control technology

Frequency inverter Fcontrol 3~	Motor protection units 3~	Transformer-based controllers 3~	Electronic voltage controllers 3~
			
Page 558	Page 596	Page 591	Page 578



# FC

for three phase alternating current, 6 pole

FC056-6D



## Description

Motor technology: AC  
 Rated voltage  $U_N$ : 3~ 230/400 V ( $\Delta/Y$ )  $\pm 10$  %\*  
 Rated frequency  $f_N$ : 50 Hz\* (60Hz data available)  
 Motor input power  $P_1$ : 0.31 kW\*  
 Rated current  $I_N$ : 1.05/0.60 A\*  
 Rated speed  $n_N$ : 840 min<sup>-1</sup>\*  
 Thermal class: THCL155\*  
 Min. permitted conveyor temperature  $t_{R(min)}$ : -40 °C  
 Max. permitted conveyor temperature  $t_{R(max)}$ : 70 °C  
 Electrical connection: Terminal box  
 Number of blades: 7  
 Protection class: IP54  
 Motor protection: Thermal contact  
 Blades: Aluminium, 1 coat paint, black  
 Rotor: Aluminium, 1 coat paint, black  
 Conformity: ErP 2015, CE

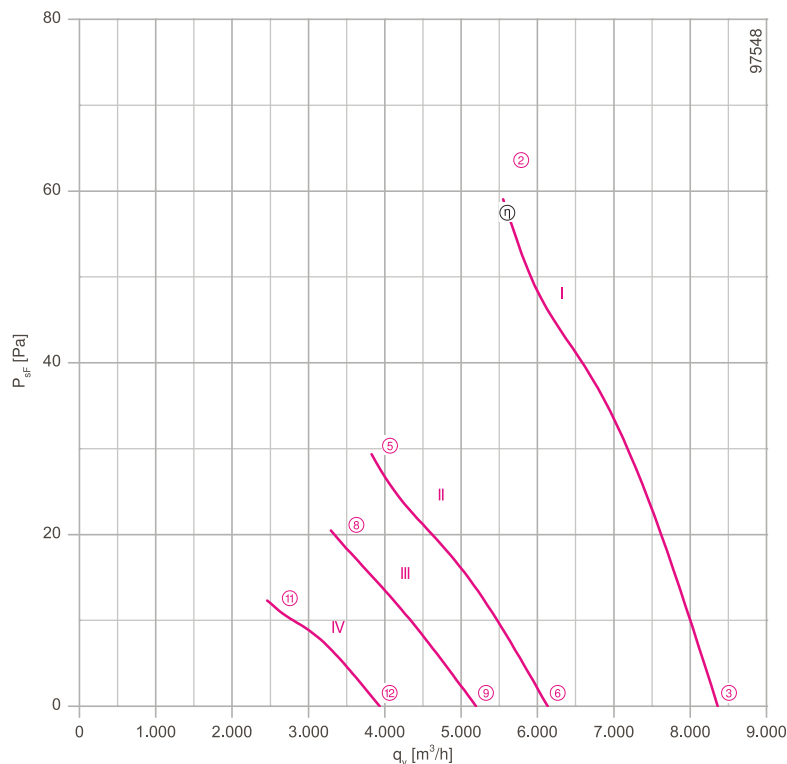
## ErP Data

Efficiency  $\eta_{statA}$ : 31.0 %  
 Efficiency:  $N_{actual} = 40.6 / N_{target} = 40$ \*\*

\* Rated data

\*\*ErP 2015

## Characteristic curve



Measured in full bell mouth without guard grille in installation type A according to ISO 5801.

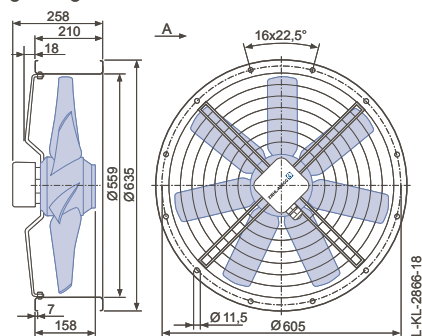
➤ Connection diagram 1360-106XB Page 608

➤ System components Page 524

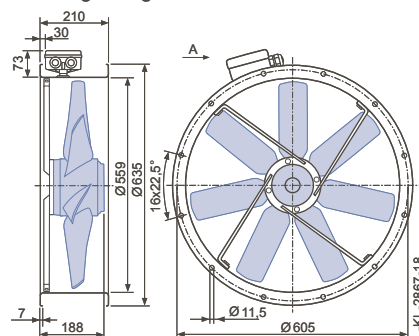
## Dimensions [mm]

### Airflow direction A

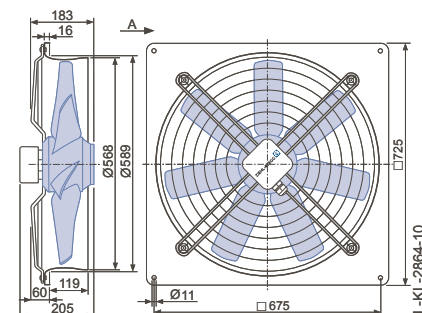
Design F - flange ring with two flanges and guard grille



Design F - flange ring with two flanges without guard grille



Design Q - square, full bell mouth



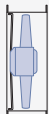
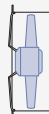
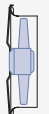
Performance data

Type	Characteristic curve	Voltage	Operating point	Current	Motor input power	Speed	Suction side sound power level
		U [V]		I [A]	P <sub>1</sub> [W]	n [min <sup>-1</sup> ]	L <sub>WAS</sub> [dB]
FC056-6D_4F_7	I	400*	②	0.60*	310*	840*	71
		400	③	0.56	270	870	72
	II	230	⑤	0.56	170	590	63
		230	⑥	0.54	160	640	64
	III	190	⑧	0.50	130	500	59
		190	⑨	0.48	120	540	60
	IV	145	⑪	0.42	80	390	52
		145	⑫	0.42	80	410	54



\*rated data

Fan ordering information

**Airflow direction A**

Design	F (with contact protection)	F (without guard grille)	Q
			
<b>Type</b>	<b>FC056-6DF.4F.A7</b>	<b>FC056-6DF.4F.A7</b>	<b>FC056-6DQ.4F.A7</b>
<b>Article no.</b>	<b>160101</b>	<b>160100</b>	<b>160099</b>
<b>Weight [kg]</b>	16.80	16.00	19.10

Control technology

Frequency inverter Fcontrol 3~	Motor protection units 3~	Transformer-based controllers 3~	Electronic voltage controllers 3~
			
➤ Page 558	➤ Page 596	➤ Page 591	➤ Page 578

# FC

for three phase alternating current, 4-4 pole

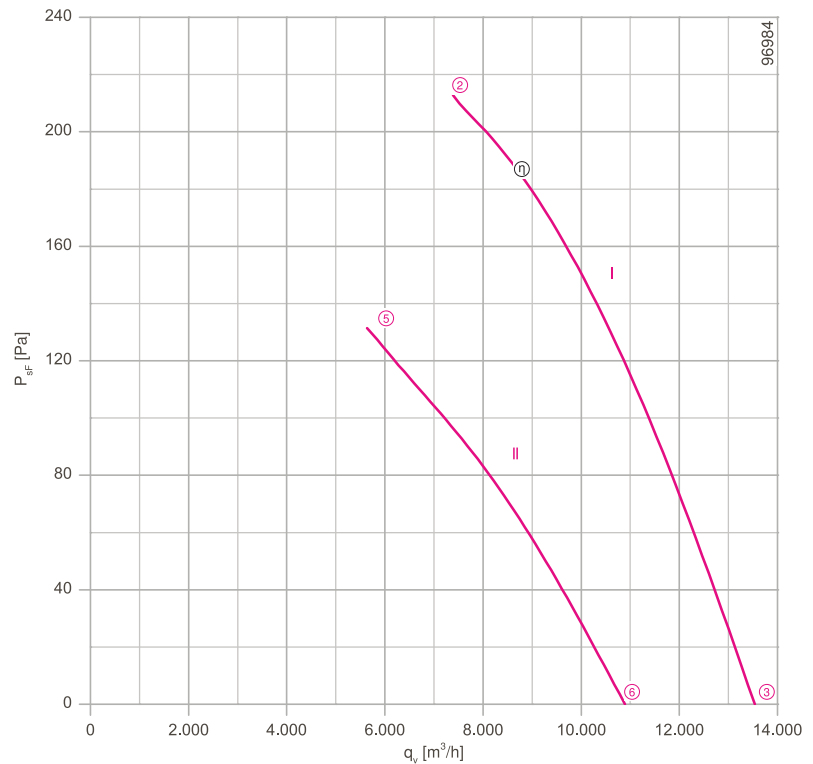
FC056-VD



## Description

Motor technology: AC  
 Rated voltage  $U_N$ : 3- 400 V ( $\Delta/Y$ )  $\pm 10$  %\*  
 Rated frequency  $f_N$ : 50 Hz\*  
 Motor input power  $P_1$ : 1.30/0.88 kW\*  
 Rated current  $I_N$ : 2.50/1.50 A\*  
 Rated speed  $n_N$ : 1340/1040  $\text{min}^{-1}$ \*  
 Current increase  $\Delta I$ : 0 %  
 Thermal class: THCL155\*  
 Min. permitted conveyor temperature  $t_{R(\text{min})}$ : -40 °C  
 Max. permitted conveyor temperature  $t_{R(\text{max})}$ : 70 °C  
 Electrical connection: Terminal box  
 Number of blades: 7  
 Protection class: IP54  
 Motor protection: Thermal contact  
 Blades: Aluminium, 1 coat paint, black  
 Rotor: Aluminium, 1 coat paint, black  
 Conformity: ErP 2015, CE  
**ErP Data**  
 Efficiency  $\eta_{\text{statA}}$ : 35.9 %  
 Efficiency:  $N_{\text{actual}} = 41.5 / N_{\text{target}} = 40$ \*\*  
 \* Rated data  
 \*\*ErP 2015

Characteristic curve



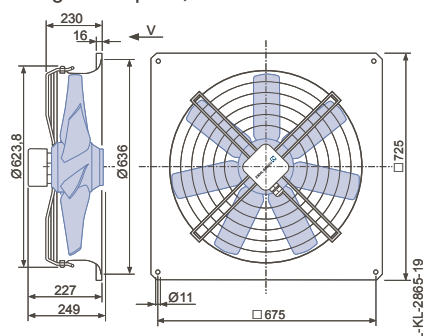
Measured in full bell mouth without guard grille in installation type A according to ISO 5801.

- Connection diagram 1360-108XA Page 608
- System components Page 524

## Dimensions [mm]

← Airflow direction V

Design Q - square, full bell mouth



### Performance data

Type	Connection	Characteristic curve	Voltage	Operating point	Current	Motor input power	Speed	Suction side sound power level
			U [V]		I [A]	P <sub>1</sub> [W]	n [min <sup>-1</sup> ]	L <sub>WA5</sub> [dB]
FC056-VD_6F.V7	Δ	I	400*	②	2.50*	1300*	1340*	82
			400	③	2.30	1100	1370	81
			400*	⑤	1.50*	860*	1040*	76
	Y	II	400	⑥	1.35	800	1100	76

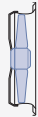
\*rated data

### Fan ordering information



Design

Q



**Type** FC056-VDQ.6F.V7

**Article no.** 160094

**Weight [kg]** 28.05

### Control technology

Frequency inverter  
Fcontrol 3~



➤ Page 558

Motor protection units  
3~



➤ Page 596

Transformer-based  
controllers 3~



➤ Page 591

Electronic voltage  
controllers 3~



➤ Page 578

# FC

for three phase alternating current, 4-4 pole

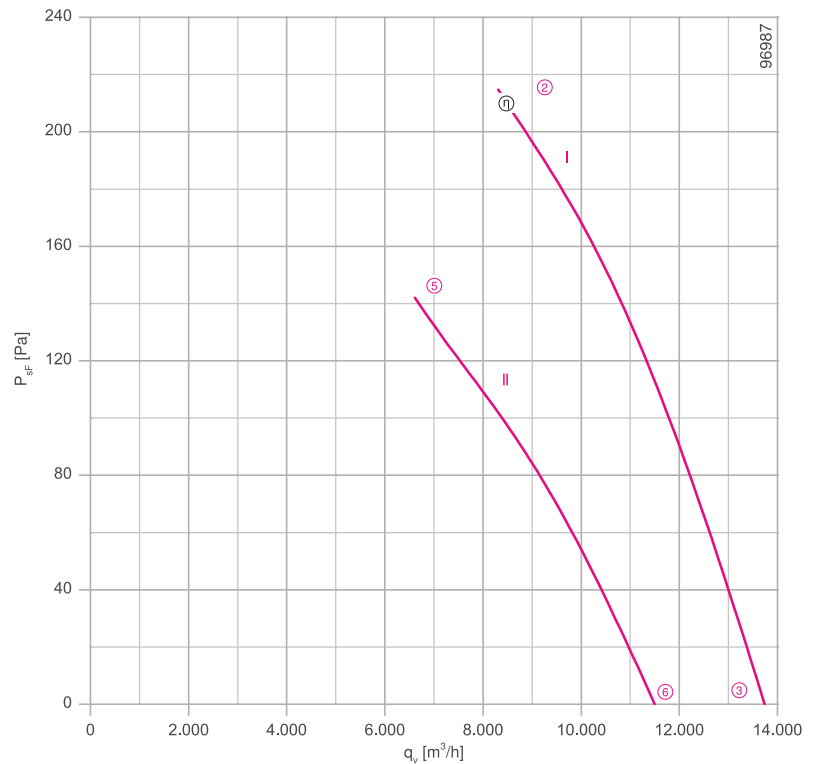
FC056-VD



## Description

Motor technology: AC  
 Rated voltage  $U_N$ : 3- 400 V ( $\Delta/Y$ )  $\pm 10$  %\*  
 Rated frequency  $f_N$ : 50 Hz\* (60Hz data available)  
 Motor input power  $P_1$ : 1.30/0.86 kW\*  
 Rated current  $I_N$ : 3.10/1.65 A\*  
 Rated speed  $n_N$ : 1360/1100 min<sup>-1</sup>\*  
 Current increase  $\Delta I$ : 0 %  
 Thermal class: THCL155\*  
 Min. permitted conveyor temperature  $t_{R(min)}$ : -40 °C  
 Max. permitted conveyor temperature  $t_{R(max)}$ : 70 °C  
 Electrical connection: Terminal box  
 Number of blades: 7  
 Protection class: IP54  
 Motor protection: Thermal contact  
 Blades: Aluminium, 1 coat paint, black  
 Rotor: Aluminium, 1 coat paint, black  
 Conformity: ErP 2015, CE  
**ErP Data**  
 Efficiency  $\eta_{statA}$ : 39.6 %  
 Efficiency:  $N_{actual} = 45.2 / N_{target} = 40$ \*\*  
 \* Rated data  
 \*\*ErP 2015

## Characteristic curve



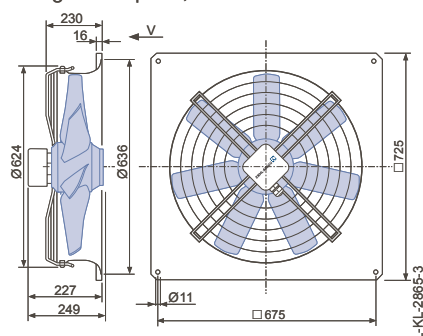
Measured in full bell mouth without guard grille in installation type A according to ISO 5801.

- Connection diagram 1360-108XA Page 608
- System components Page 524

## Dimensions [mm]

← Airflow direction V

Design Q - square, full bell mouth



### Performance data

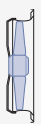
Type	Connection	Characteristic curve	Voltage	Operating point	Current	Motor input power	Speed	Suction side sound power level
			U [V]		I [A]	P <sub>1</sub> [W]	n [min <sup>-1</sup> ]	L <sub>WA5</sub> [dB]
FC056-VD_6K.V7	Δ	I	400*	②	3.10*	1300*	1360*	83
			400	③	2.90	1100	1380	82
	Y	II	400*	⑤	1.65*	860*	1100*	78
			400	⑥	1.50	760	1170	78

\*rated data

### Fan ordering information



Design Q



**Type** FC056-VDQ.6K.V7  
**Article no.** 160096

Weight [kg] 31.30

### Control technology

<p>Frequency inverter Fcontrol 3~</p>  <p>➤ Page 558</p>	<p>Motor protection units 3~</p>  <p>➤ Page 596</p>	<p>Transformer-based controllers 3~</p>  <p>➤ Page 591</p>	<p>Electronic voltage controllers 3~</p>  <p>➤ Page 578</p>
--	---	--	---

Information

FE2owlet  
ECblue

FE2owlet

FB

FC

System  
components

Control  
technology

Appendix



# FC

for three phase alternating current, 4-4 pole

FC056-VD



## Description

Motor technology: AC  
 Rated voltage  $U_N$ : 3- 400 V ( $\Delta/Y$ )  $\pm 10$  %\*  
 Rated frequency  $f_N$ : 50 Hz\*  
 Motor input power  $P_1$ : 1.00/0.60 kW\*  
 Rated current  $I_N$ : 1.80/0.95 A\*  
 Rated speed  $n_N$ : 1220/ 900  $\text{min}^{-1}$ \*  
 Starting current  $I_s$ : 7.00 A / 2.30 A  
 Current increase  $\Delta I$ : 0 %  
 Thermal class: **THCL155**\*  
 Min. permitted conveyor temperature  $t_{R(\text{min})}$ : -40 °C  
 Max. permitted conveyor temperature  $t_{R(\text{max})}$ : 60 °C  
 Electrical connection: Terminal box  
 Number of blades: 7  
 Protection class: IP54  
 Motor protection: Thermal contact  
 Blades: Aluminium, 1 coat paint, black  
 Rotor: Aluminium, 1 coat paint, black  
 Conformity: ErP 2015, CE

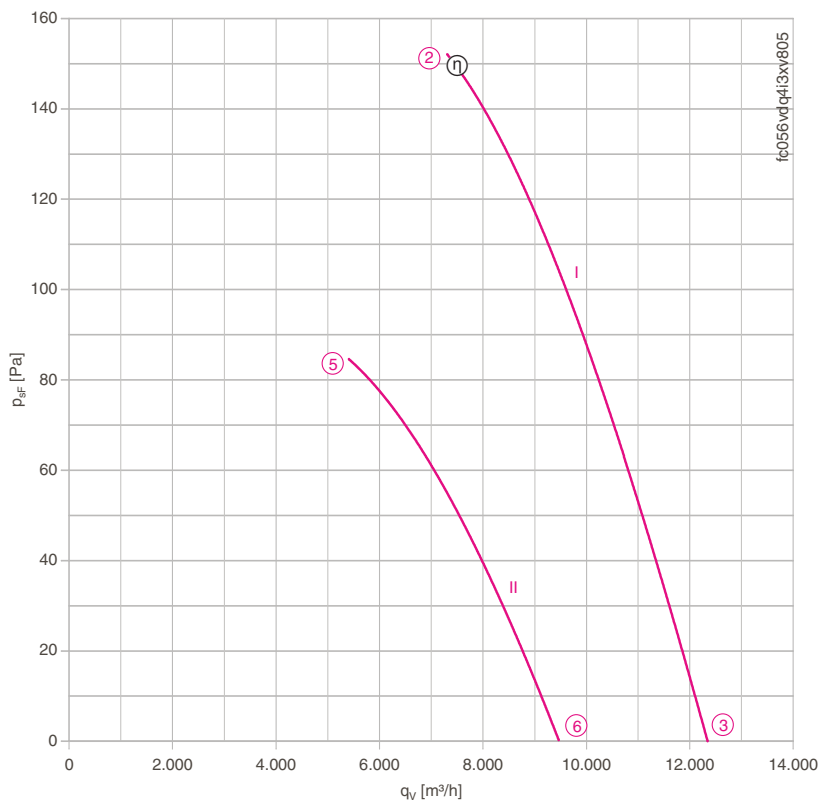
## ErP Data

Efficiency  $\eta_{\text{statA}}$ : 32.5 %  
 Efficiency:  $N_{\text{actual}} = 40.3 / N_{\text{target}} = 40$ \*\*  
 Frequency inverter required

\* Rated data

\*\*ErP 2015

## Characteristic curve



Measured in full bell mouth without guard grille in installation type A according to ISO 5801.

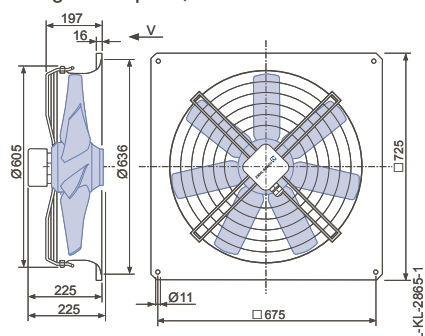
➤ Connection diagram 1360-108XA Page 608

➤ System components Page 524

## Dimensions [mm]

← Airflow direction V

Design Q - square, full bell mouth



### Performance data

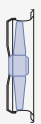
Type	Connection	Characteristic curve	Voltage	Operating point	Current	Motor input power	Speed	Suction side sound power level
			U [V]		I [A]	P <sub>1</sub> [W]	n [min <sup>-1</sup> ]	L <sub>WA5</sub> [dB]
FC056-VD_4I.V7	Δ	I	400*	②	1.80*	1000*	1220*	82
			400	③	1.60	870	1260	81
	Y	II	400*	⑤	0.95*	600*	900*	75
			400	⑥	0.88	550	970	76

\*rated data

### Fan ordering information



Design Q



**Type** FC056-VDQ.4I.V7  
**Article no.** 123992

Weight [kg] 20.70

### Control technology

<p>Frequency inverter Fcontrol 3~</p>  <p>➤ Page 558</p>	<p>Motor protection units 3~</p>  <p>➤ Page 596</p>	<p>Transformer-based controllers 3~</p>  <p>➤ Page 591</p>	<p>Electronic voltage controllers 3~</p>  <p>➤ Page 578</p>
--	---	--	---

- Information
- FE2owlet  
ECblue
- FE2owlet
- FB
- FC
- System components
- Control technology
- Appendix





# FC

for three phase alternating current, 6-6 pole

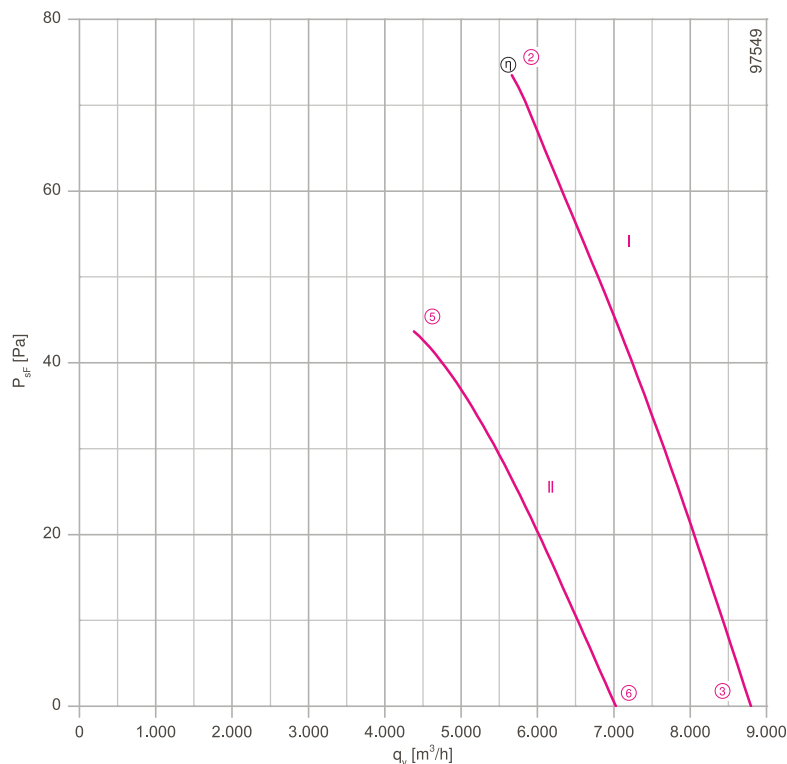
FC056-SD



## Description

Motor technology: AC  
 Rated voltage  $U_N$ : 3- 400 V ( $\Delta/Y$ )  $\pm 10$  %\*  
 Rated frequency  $f_N$ : 50 Hz\* (60Hz data available)  
 Motor input power  $P_1$ : 0.36/0.23 kW\*  
 Rated current  $I_N$ : 0.82/0.42 A\*  
 Rated speed  $n_N$ : 890/ 690 min<sup>-1</sup>\*  
 Current increase  $\Delta I$ : 0 %  
 Thermal class: THCL155\*  
 Min. permitted conveyor temperature  $t_{R(min)}$ : -40 °C  
 Max. permitted conveyor temperature  $t_{R(max)}$ : 70 °C  
 Electrical connection: Terminal box  
 Number of blades: 7  
 Protection class: IP54  
 Motor protection: Thermal contact  
 Blades: Aluminium, 1 coat paint, black  
 Rotor: Aluminium, 1 coat paint, black  
 Conformity: ErP 2015, CE  
**ErP Data**  
 Efficiency  $\eta_{statA}$ : 32.7 %  
 Efficiency:  $N_{actual} = 41.8 / N_{target} = 40$ \*\*  
 \* Rated data  
 \*\*ErP 2015

## Characteristic curve



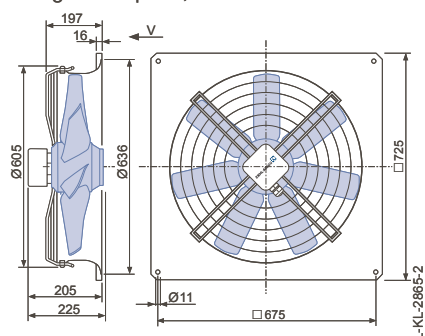
Measured in full bell mouth without guard grille in installation type A according to ISO 5801.

- Connection diagram 1360-108XA Page 608
- System components Page 524

## Dimensions [mm]

← Airflow direction V

Design Q - square, full bell mouth



### Performance data

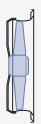
Type	Connection	Characteristic curve	Voltage	Operating point	Current	Motor input power	Speed	Suction side sound power level
			U [V]					
FC056-SD_4F.V7	Δ	I	400*	②	0.82*	360*	890*	74
			400	③	0.78	320	910	72
	Y	II	400*	⑤	0.42*	230*	690*	67
			400	⑥	0.40	210	730	68

\*rated data

### Fan ordering information

← Airflow direction V

Design Q



**Type** FC056-SDQ.4F.V7  
**Article no.** 160103

Weight [kg] 19.00

### Control technology

<p>Frequency inverter Fcontrol 3~</p>  <p>➤ Page 558</p>	<p>Motor protection units 3~</p>  <p>➤ Page 596</p>	<p>Transformer-based controllers 3~</p>  <p>➤ Page 591</p>	<p>Electronic voltage controllers 3~</p>  <p>➤ Page 578</p>
--	---	--	---

- Information
- FE2owlet ECblue
- FE2owlet
- FB
- FC
- System components
- Control technology
- Appendix

# FC

for single phase alternating current, 6 pole

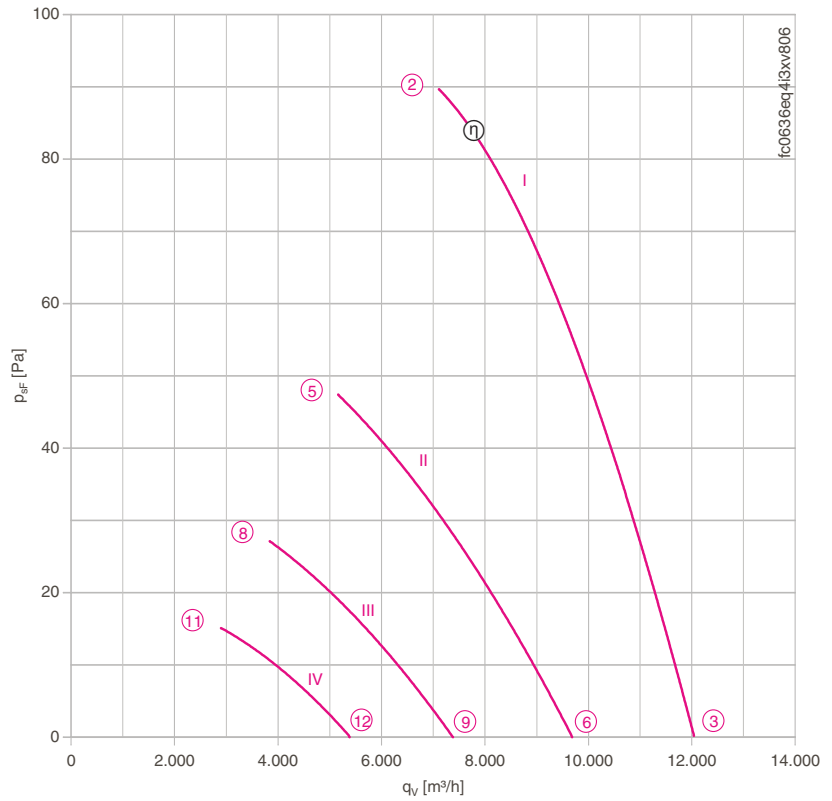
FC063-6E



### Description

Motor technology: AC  
 Rated voltage  $U_N$ : 1~ 230 V $\pm$ 10 %\*  
 Rated frequency  $f_N$ : 50 Hz\* (60Hz data available)  
 Motor input power  $P_1$ : 0.60 kW\*  
 Rated current  $I_N$ : 2.70 A\*  
 Rated speed  $n_N$ : 880 min<sup>-1</sup>\*  
 Starting current  $I_s$ : 5.50 A  
 Current increase  $\Delta I$ : 0 %  
 Service capacitor  $C_{400V}$ : 12.0  $\mu$ F  
 Thermal class: THCL155\*  
 Min. permitted conveyor temperature  $t_{R(min)}$ : -25 °C  
 Max. permitted conveyor temperature  $t_{R(max)}$ : 70 °C  
 Electrical connection: Terminal box  
 Number of blades: 7  
 Protection class: IP54  
 Motor protection: Thermal contact  
 Blades: Aluminium, 1 coat paint, black  
 Rotor: Aluminium, 1 coat paint, black  
 Conformity: ErP 2015, CE  
**ErP Data**  
 Efficiency  $\eta_{statA}$ : 31.1 %  
 Efficiency:  $N_{actual} = 40.6 / N_{target} = 40$ \*\*  
 Frequency inverter required  
 \* Rated data  
 \*\*ErP 2015

### Characteristic curve



Measured in full bell mouth without guard grille in installation type A according to ISO 5801.

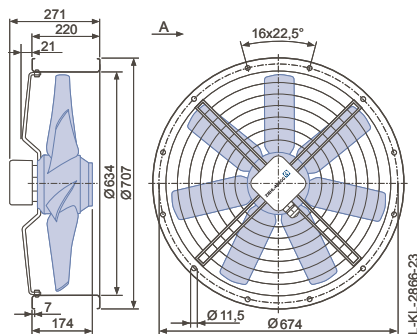
➤ Connection diagram 1360-104XB Page 608

➤ System components Page 524

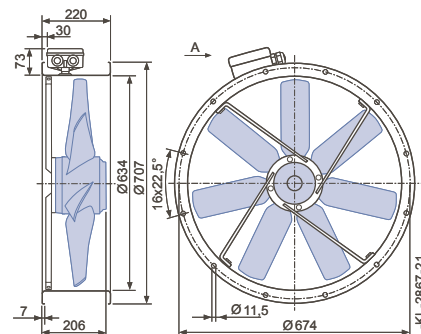
### Dimensions [mm]

#### Airflow direction A

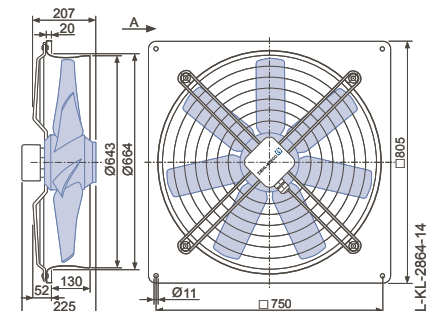
Design F - flange ring with two flanges and guard grille



Design F - flange ring with two flanges without guard grille



Design Q - square, full bell mouth



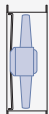
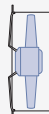
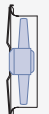
Performance data

Type	Characteristic curve	Voltage	Operating point	Current	Motor input power	Speed	Suction side sound power level
		U [V]		I [A]	P <sub>1</sub> [W]	n [min <sup>-1</sup> ]	L <sub>WAS</sub> [dB]
FC063-6E_4I.A7	I	230*	②	2.70*	600*	880*	79
		230	③	2.40	520	910	80
	II	160	⑤	2.80	420	650	72
		160	⑥	1.80	310	850	78
	III	130	⑧	2.60	300	480	64
		130	⑨	2.60	300	550	68
	IV	105	⑪	2.20	200	360	57
		105	⑫	2.10	195	410	60

\*rated data

Fan ordering information

**Airflow direction A**

Design	F (with contact protection)	F (without guard grille)	Q
			
<b>Type</b>	<b>FC063-6EF.4I.A7</b>	<b>FC063-6EF.4I.A7</b>	<b>FC063-6EQ.4I.A7</b>
<b>Article no.</b>	<b>132357</b>	<b>132355</b>	<b>130750</b>
<b>Weight [kg]</b>	20.30	19.40	24.00

Control technology

Frequency inverter Fcontrol 1~	Motor protection units 1~	Transformer-based controllers 1~	Electronic voltage controllers 1~
			
↗ Page 552	↗ Page 596	↗ Page 587	↗ Page 562

# FC

for three phase alternating current, 4 pole

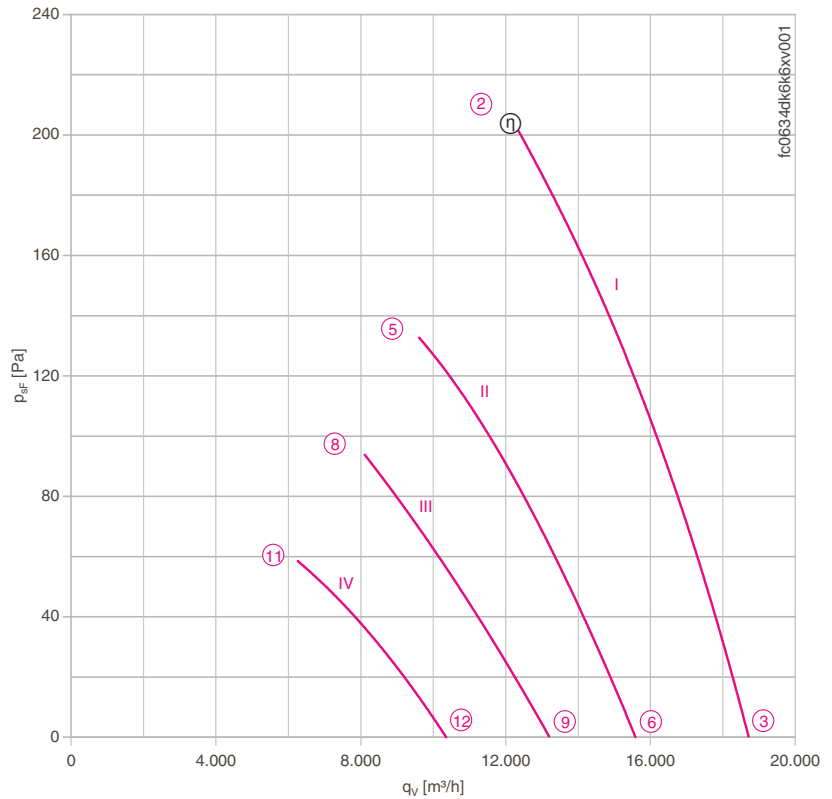
FC063-4D



## Description

Motor technology: AC  
 Rated voltage  $U_N$ : 3~ 230/400 V ( $\Delta/Y$ )  $\pm 10$  %\*  
 Rated frequency  $f_N$ : 50 Hz\*  
 Motor input power  $P_1$ : 1.90 kW\*  
 Rated current  $I_N$ : 5.50/3.20 A\*  
 Rated speed  $n_N$ : 1360 min<sup>-1</sup>\*  
 Starting current  $I_s$ : 30.00 A / 17.00 A  
 Current increase  $\Delta I$ : 15 %  
 Thermal class: THCL155\*  
 Min. permitted conveyor temperature  $t_{R(min)}$ : -40 °C  
 Max. permitted conveyor temperature  $t_{R(max)}$ : 60 °C  
 Electrical connection: Terminal box  
 Number of blades: 7  
 Protection class: IP54  
 Motor protection: Thermal contact  
 Blades: Aluminium, 1 coat paint, black  
 Rotor: Aluminium, 1 coat paint, black  
 Conformity: ErP 2015, CE  
**ErP Data**  
 Efficiency  $\eta_{statA}$ : 36.9 %  
 Efficiency:  $N_{actual} = 41.5 / N_{target} = 40$ \*\*  
 \* Rated data  
 \*\*ErP 2015

## Characteristic curve



Measured in full bell mouth without guard grille in installation type A according to ISO 5801.

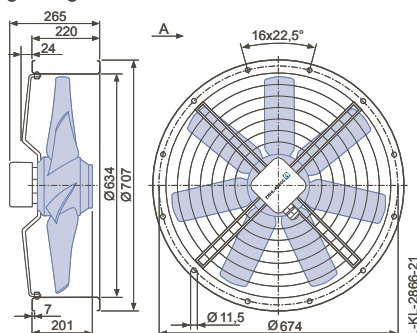
➤ Connection diagram 1360-106XB Page 608

➤ System components Page 524

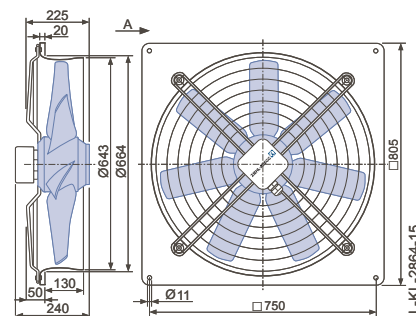
## Dimensions [mm]

### Airflow direction A

Design F - flange ring with two flanges and guard grille



Design Q - square, full bell mouth




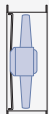
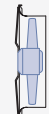
Performance data

Type	Characteristic curve	Voltage	Operating point	Current	Motor input power	Speed	Suction side sound power level
		U [V]		I [A]	P <sub>1</sub> [W]	n [min <sup>-1</sup> ]	L <sub>WAS</sub> [dB]
FC063-4D_.6K.A7	I	400*	②	3.20*	1900*	1360*	90
		400	③	3.10	1800	1380	90
	II	230	⑤	3.80	1350	1110	85
		230	⑥	3.70	1350	1130	86
	III	180	⑧	3.80	1050	920	80
		180	⑨	3.70	1000	950	81
	IV	140	⑪	3.40	730	740	75
		140	⑫	3.40	730	770	76





\*rated data

Fan ordering information

**Airflow direction A** 

Design	F (with contact protection)	Q
		
<b>Type</b>	<b>FC063-4DF.6K.A7</b>	<b>FC063-4DQ.6K.A7</b>
<b>Article no.</b>	<b>132517</b>	<b>125205</b>
<b>Weight [kg]</b>	29.00	31.50

Control technology

Frequency inverter Fcontrol 3~	Motor protection units 3~	Transformer-based controllers 3~	Electronic voltage controllers 3~
			
➤ Page 558	➤ Page 596	➤ Page 591	➤ Page 578



Information

FE2owlet  
ECblue

FE2owlet

FB

FC

System  
components

Control  
technology

Appendix

# FC

for three phase alternating current, 6 pole

FC063-6D

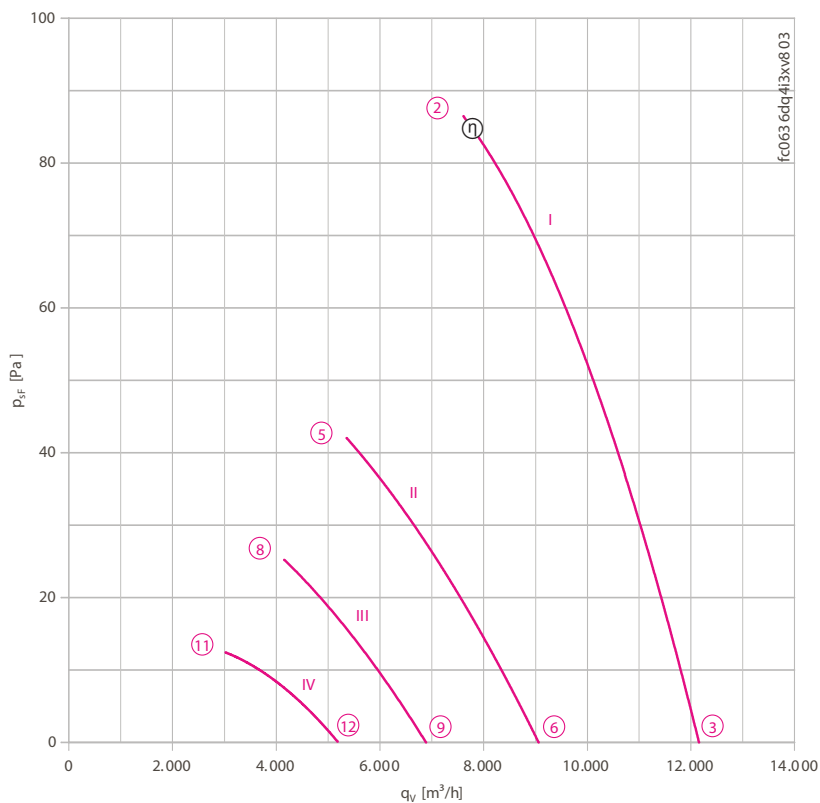


## Description

Motor technology: AC  
 Rated voltage  $U_N$ : 3~ 230/400 V ( $\Delta/Y$ )  $\pm 10$  %\*  
 Rated frequency  $f_N$ : 50 Hz\*  
 Motor input power  $P_1$ : 0.59 kW\*  
 Rated current  $I_N$ : 2.30/1.30 A\*  
 Rated speed  $n_N$ : 890 min<sup>-1</sup>\*  
 Starting current  $I_s$ : 6.00 A / 3.60 A  
 Current increase  $\Delta I$ : 0 %  
 Thermal class: THCL155\*  
 Min. permitted conveyor temperature  $t_{R(min)}$ : -40 °C  
 Max. permitted conveyor temperature  $t_{R(max)}$ : 60 °C  
 Electrical connection: Terminal box  
 Number of blades: 7  
 Protection class: IP54  
 Motor protection: Thermal contact  
 Blades: Aluminium, 1 coat paint, black  
 Rotor: Aluminium, 1 coat paint, black  
 Conformity: ErP 2015, CE

**ErP Data**  
 Efficiency  $\eta_{statA}$ : 32.2 %  
 Efficiency:  $N_{actual} = 40.1 / N_{target} = 40$ \*\*  
 \* Rated data  
 \*\*ErP 2015

## Characteristic curve



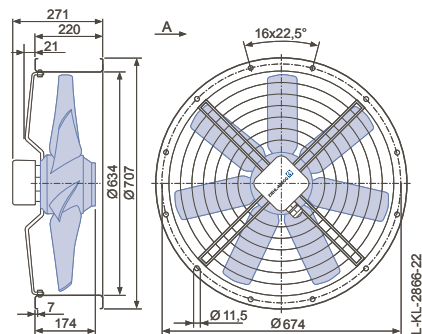
Measured in full bell mouth without guard grille in installation type A according to ISO 5801.

- Connection diagram 1360-106XB Page 608
- System components Page 524

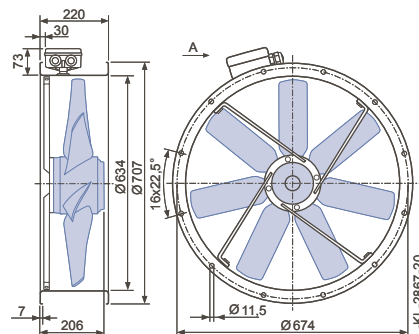
## Dimensions [mm]

### Airflow direction A

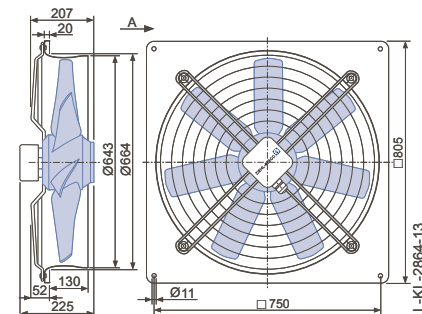
Design F - flange ring with two flanges and guard grille



Design F - flange ring with two flanges without guard grille



Design Q - square, full bell mouth



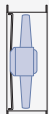
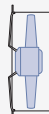
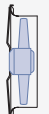
Performance data

Type	Characteristic curve	Voltage	Operating point	Current	Motor input power	Speed	Suction side sound power level
		U [V]		I [A]	P <sub>1</sub> [W]	n [min <sup>-1</sup> ]	L <sub>WAS</sub> [dB]
FC063-6D_4I.A7	I	400*	②	1.30*	590*	890*	80
		400	③	1.20	510	910	80
	II	230	⑤	1.30	360	610	70
		230	⑥	1.25	340	680	73
	III	180	⑧	1.10	230	480	64
		180	⑨	1.10	230	520	66
	IV	140	⑪	0.90	140	360	57
		140	⑫	0.89	140	390	59




\*rated data

Fan ordering information

**Airflow direction A**

Design	F (with contact protection)	F (without guard grille)	Q
			
<b>Type</b>	<b>FC063-6DF.4I.A7</b>	<b>FC063-6DF.4I.A7</b>	<b>FC063-6DQ.4I.A7</b>
<b>Article no.</b>	<b>132353</b>	<b>124983</b>	<b>130751</b>
<b>Weight [kg]</b>	20.30	19.40	24.00

Control technology

Frequency inverter Fcontrol 3~	Motor protection units 3~	Transformer-based controllers 3~	Electronic voltage controllers 3~
			
➤ Page 558	➤ Page 596	➤ Page 591	➤ Page 578



# FC

for three phase alternating current, 4-4 pole

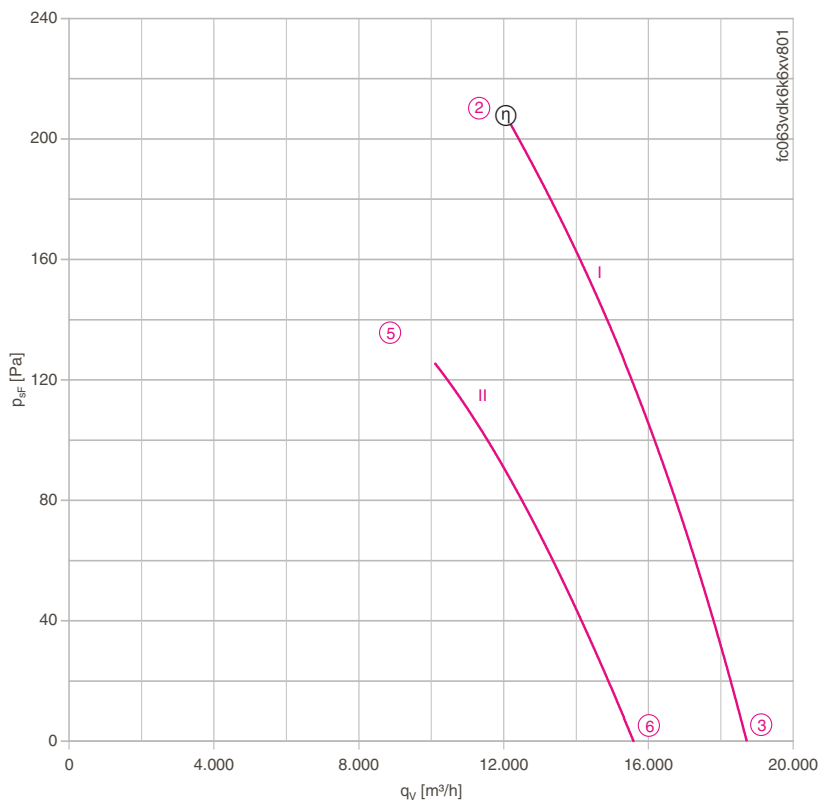
FC063-VD



## Description

Motor technology: AC  
 Rated voltage  $U_N$ : 3- 400 V ( $\Delta/Y$ )  $\pm 10$  %\*  
 Rated frequency  $f_N$ : 50 Hz\*  
 Motor input power  $P_1$ : 1.90/1.35 kW\*  
 Rated current  $I_N$ : 3.20/2.20 A\*  
 Rated speed  $n_N$ : 1340/1070 min<sup>-1</sup>\*  
 Starting current  $I_A$ : 15.00 A / 4.80 A  
 Current increase  $\Delta I$ : 15 %  
 Thermal class: **THCL155**\*  
 Min. permitted conveyor temperature  $t_{R(min)}$ : -40 °C  
 Max. permitted conveyor temperature  $t_{R(max)}$ : 60 °C  
 Electrical connection: Terminal box  
 Number of blades: 7  
 Protection class: IP54  
 Motor protection: Thermal contact  
 Blades: Aluminium, 1 coat paint, black  
 Rotor: Aluminium, 1 coat paint, black  
 Conformity: ErP 2015, CE  
**ErP Data**  
 Efficiency  $\eta_{statA}$ : 37.2 %  
 Efficiency:  $N_{actual} = 41.8 / N_{target} = 40$ \*\*  
 \* Rated data  
 \*\*ErP 2015

## Characteristic curve



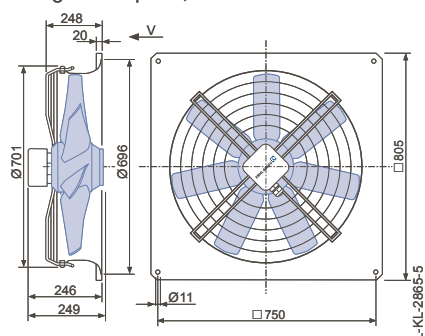
Measured in full bell mouth without guard grille in installation type A according to ISO 5801.

- Connection diagram 1360-108XA Page 608
- System components Page 524

## Dimensions [mm]



Design Q - square, full bell mouth



### Performance data

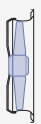
Type	Connection	Characteristic curve	Voltage	Operating point	Current	Motor input power	Speed	Suction side sound power level
			U [V]		I [A]	P <sub>1</sub> [W]	n [min <sup>-1</sup> ]	L <sub>WA5</sub> [dB]
FC063-VD_6K.V7	Δ	I	400*	②	3.20*	1900*	1340*	90
			400	③	2.90	1650	1380	90
	Y	II	400*	⑤	2.20*	1350*	1070*	84
			400	⑥	2.00	1240	1150	86

\*rated data

### Fan ordering information



Design Q



**Type** FC063-VDQ.6K.V7  
**Article no.** 123995

Weight [kg] 34.20

### Control technology

<p>Frequency inverter Fcontrol 3~</p>  <p>➤ Page 558</p>	<p>Motor protection units 3~</p>  <p>➤ Page 596</p>	<p>Transformer-based controllers 3~</p>  <p>➤ Page 591</p>	<p>Electronic voltage controllers 3~</p>  <p>➤ Page 578</p>
--	---	--	---

- Information
- FE2owlet ECblue
- FE2owlet
- FB
- FC
- System components
- Control technology
- Appendix

# FC

for three phase alternating current, 6-6 pole

FC063-SD

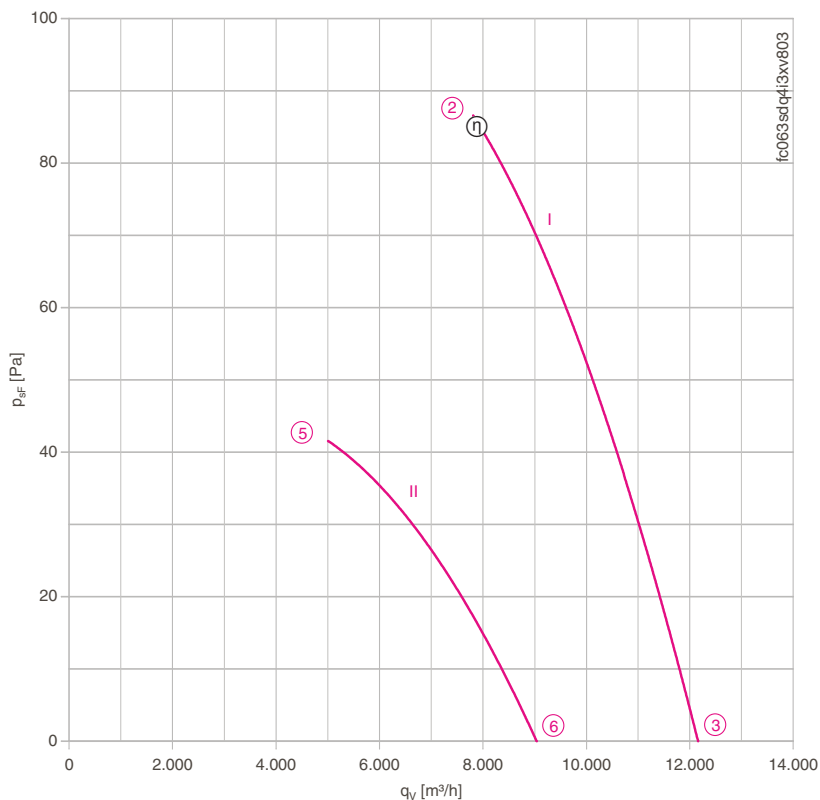


## Description

Motor technology: AC  
 Rated voltage  $U_N$ : 3- 400 V ( $\Delta/Y$ )  $\pm 10$  %\*  
 Rated frequency  $f_N$ : 50 Hz\*  
 Motor input power  $P_1$ : 0.60/0.40 kW\*  
 Rated current  $I_N$ : 1.35/0.78 A\*  
 Rated speed  $n_N$ : 900/ 650 min<sup>-1</sup>\*  
 Starting current  $I_s$ : 4.00 A / 1.35 A  
 Current increase  $\Delta I$ : 0 %  
 Thermal class: **THCL155\***  
 Min. permitted conveyor temperature  $t_{R(min)}$ : -40 °C  
 Max. permitted conveyor temperature  $t_{R(max)}$ : 60 °C  
 Electrical connection: Terminal box  
 Number of blades: 7  
 Protection class: IP54  
 Motor protection: Thermal contact  
 Blades: Aluminium, 1 coat paint, black  
 Rotor: Aluminium, 1 coat paint, black  
 Conformity: ErP 2015, CE

**ErP Data**  
 Efficiency  $\eta_{statA}$ : 32.2 %  
 Efficiency:  $N_{actual} = 40.3 / N_{target} = 40$ \*\*  
 \* Rated data  
 \*\*ErP 2015

Characteristic curve



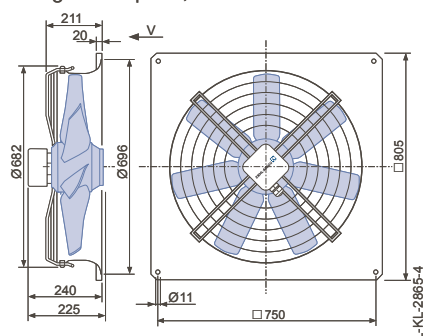
Measured in full bell mouth without guard grille in installation type A according to ISO 5801.

- Connection diagram 1360-108XA Page 608
- System components Page 524

## Dimensions [mm]



Design Q - square, full bell mouth



### Performance data

Type	Connection	Characteristic curve	Voltage	Operating point	Current	Motor input power	Speed	Suction side sound power level
			U [V]		I [A]	P <sub>1</sub> [W]	n [min <sup>-1</sup> ]	L <sub>WA5</sub> [dB]
FC063-SD_4I.V7	Δ	I	400*	②	1.35*	600*	900*	81
			400	③	1.30	550	920	80
			400*	⑤	0.78*	400*	680*	74
	Y	II	400	⑥	0.75	380	720	74

\*rated data

### Fan ordering information



Design

Q



**Type** FC063-SDQ.4I.V7

**Article no.** 123996

**Weight [kg]** 23.40

### Control technology

Frequency inverter  
Fcontrol 3~



➤ Page 558

Motor protection units  
3~



➤ Page 596

Transformer-based  
controllers 3~



➤ Page 591

Electronic voltage  
controllers 3~



➤ Page 578

- Information
- FE2owlet ECblue
- FE2owlet
- FB
- FC
- System components
- Control technology
- Appendix



# FC

for single phase alternating current, 6 pole

FC071-6E



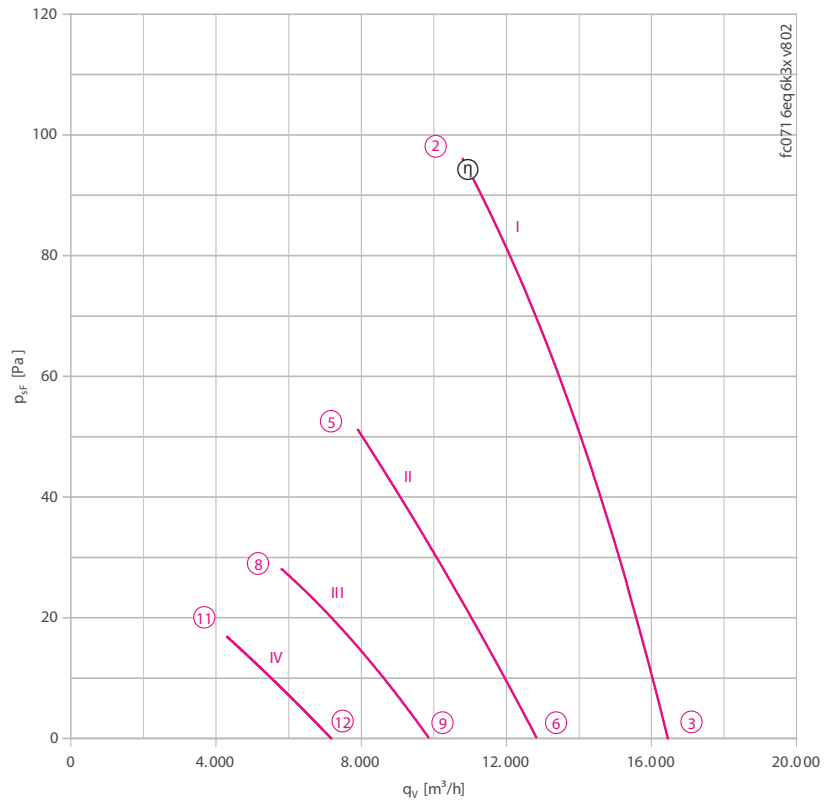
## Description

Motor technology: AC  
 Rated voltage  $U_N$ : 1~ 230 V $\pm$ 10 %\*  
 Rated frequency  $f_N$ : 50 Hz\*  
 Motor input power  $P_1$ : 0.89 kW\*  
 Rated current  $I_N$ : 4.10 A\*  
 Rated speed  $n_N$ : 850 min<sup>-1</sup>\*  
 Starting current  $I_s$ : 8.00 A  
 Current increase  $\Delta I$ : 10 %  
 Service capacitor  $C_{400V}$ : 16.0  $\mu$ F  
 Thermal class: THCL155\*  
 Min. permitted conveyor temperature  $t_{R(min)}$ : -25 °C  
 Max. permitted conveyor temperature  $t_{R(max)}$ : 60 °C  
 Electrical connection: Terminal box  
 Number of blades: 7  
 Protection class: IP54  
 Motor protection: Thermal contact  
 Blades: Aluminium, 1 coat paint, black  
 Rotor: Aluminium, 1 coat paint, black  
 Conformity: ErP 2015, CE

## ErP Data

Efficiency  $\eta_{statA}$ : 33.4 %  
 Efficiency:  $N_{actual} = 40.1 / N_{target} = 40$ \*\*  
 \* Rated data  
 \*\*ErP 2015

## Characteristic curve



Measured in full bell mouth without guard grille in installation type A according to ISO 5801.

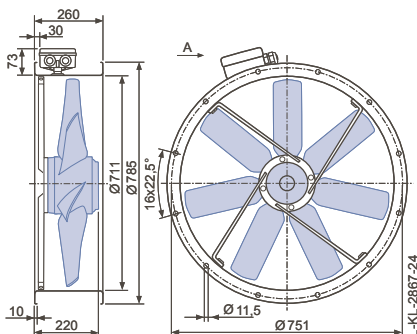
➤ Connection diagram 1360-104XB Page 608

➤ System components Page 524

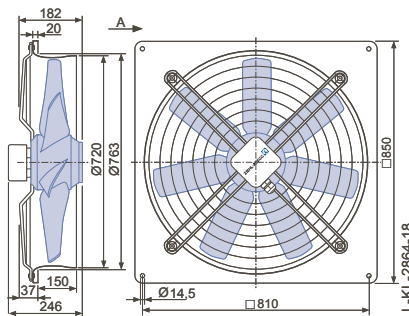
## Dimensions [mm]

### Airflow direction A

Design F - flange ring with two flanges without guard grille



Design Q - square, full bell mouth




Performance data

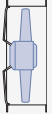
Type	Characteristic curve	Voltage	Operating point	Current	Motor input power	Speed	Suction side sound power level
		U [V]		I [A]	P <sub>1</sub> [W]	n [min <sup>-1</sup> ]	
FC071-6E_.6K.A7	I	230*	②	4.10*	890*	850*	81
		230	③	3.70	780	880	82
	II	160	⑤	4.50	650	620	74
		160	⑥	4.10	610	690	77
	III	130	⑧	4.20	470	460	67
		130	⑨	4.10	470	530	71
	IV	105	⑪	3.50	310	350	61
		105	⑫	3.50	310	380	63

\*rated data

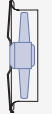
Fan ordering information

**Airflow direction A** 

Design F (without guard grille) Q



**Type** FC071-6EF.6K.A7  
**Article no.** 125029



**Type** FC071-6EQ.6K.A7  
**Article no.** 125006

Weight [kg] 34.30 33.00

Control technology

Frequency inverter  
Fcontrol 1~



➤ Page 552

Motor protection units  
1~



➤ Page 596

Transformer-based  
controllers 1~



➤ Page 587

Electronic voltage  
controllers 1~



➤ Page 562

# FC

for three phase alternating current, 4 pole

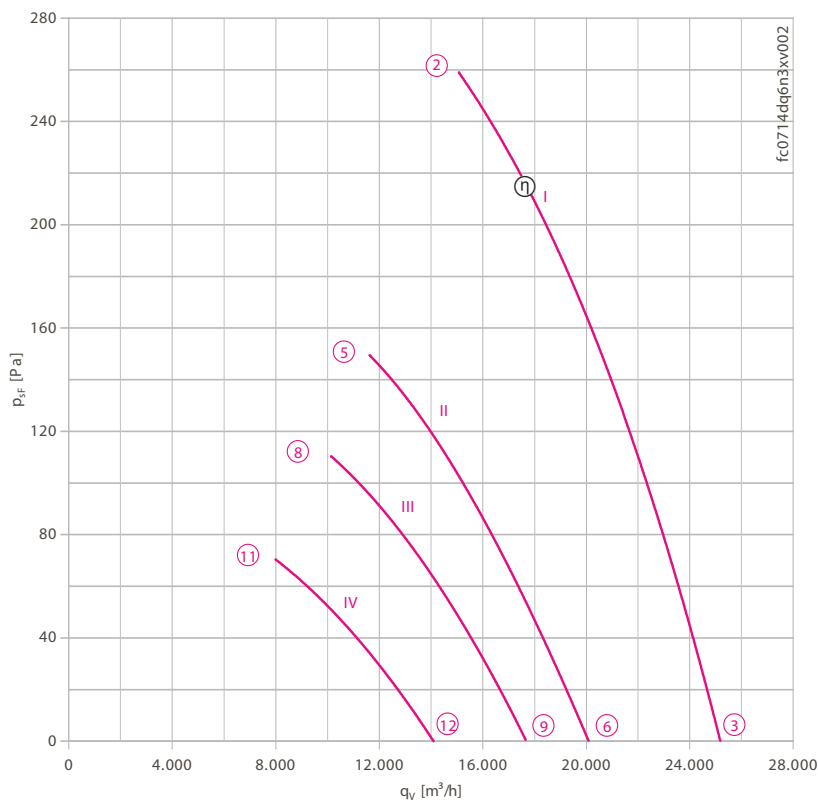
FC071-4D



## Description

Motor technology: AC  
 Rated voltage  $U_N$ : 3~ 230/400 V ( $\Delta/Y$ )  $\pm 10$  %\*  
 Rated frequency  $f_N$ : 50 Hz\*  
 Motor input power  $P_1$ : 2.90 kW\*  
 Rated current  $I_N$ : 9.20/5.30 A\*  
 Rated speed  $n_N$ : 1290 min<sup>-1</sup>\*  
 Starting current  $I_s$ : 34.00 A / 20.00 A  
 Current increase  $\Delta I$ : 0 %  
 Thermal class: THCL155\*  
 Min. permitted conveyor temperature  $t_{R(min)}$ : -40 °C  
 Max. permitted conveyor temperature  $t_{R(max)}$ : 65 °C  
 Electrical connection: Terminal box  
 Number of blades: 7  
 Protection class: IP54  
 Motor protection: Thermal contact  
 Blades: Aluminium, 1 coat paint, black  
 Rotor: Aluminium, 1 coat paint, black  
 Conformity: ErP 2015, CE  
**ErP Data**  
 Efficiency  $\eta_{statA}$ : 36.5 %  
 Efficiency:  $N_{actual} = 40.1 / N_{target} = 40$ \*\*  
 \* Rated data  
 \*\*ErP 2015

## Characteristic curve



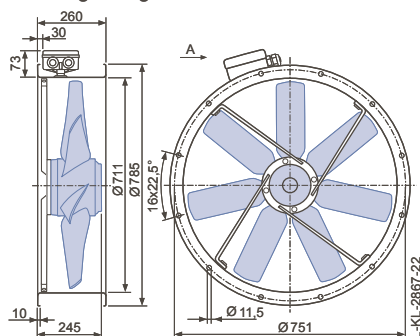
Measured in full bell mouth without guard grille in installation type A according to ISO 5801.

- Connection diagram 1360-106XB Page 608
- System components Page 524

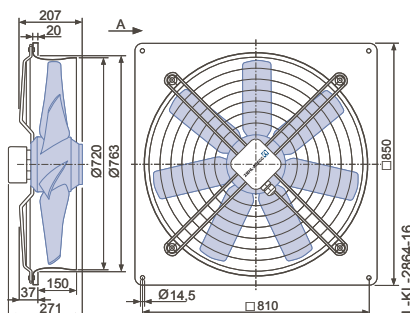
## Dimensions [mm]

### Airflow direction A

Design F - flange ring with two flanges without guard grille



Design Q - square, full bell mouth



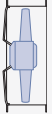
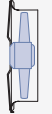
### Performance data

Type	Characteristic curve	Voltage	Operating point	Current	Motor input power	Speed	Suction side sound power level
		U [V]		I [A]	P <sub>1</sub> [W]	n [min <sup>-1</sup> ]	
FC071-4D_.6N.A7	I	400*	②	5.30*	2900*	1290*	91
		400	③	4.60	2400	1340	90
	II	230	⑤	5.30	1800	990	84
		230	⑥	4.80	1650	1070	84
	III	180	⑧	5.00	1400	860	81
		180	⑨	4.60	1300	940	81
	IV	140	⑪	4.40	910	680	75
		140	⑫	4.20	870	750	75





\*rated data

### Fan ordering information

**Airflow direction A**

Design	F (without guard grille)	Q
		
<b>Type</b>	<b>FC071-4DF.6N.A7</b>	<b>FC071-4DQ.6N.A7</b>
<b>Article no.</b>	<b>135061</b>	<b>135060</b>
<b>Weight [kg]</b>	39.80	38.50

### Control technology

Frequency inverter Fcontrol 3~	Motor protection units 3~	Transformer-based controllers 3~	Electronic voltage controllers 3~
			
➤ Page 558	➤ Page 596	➤ Page 591	➤ Page 578



# FC

for three phase alternating current, 6 pole

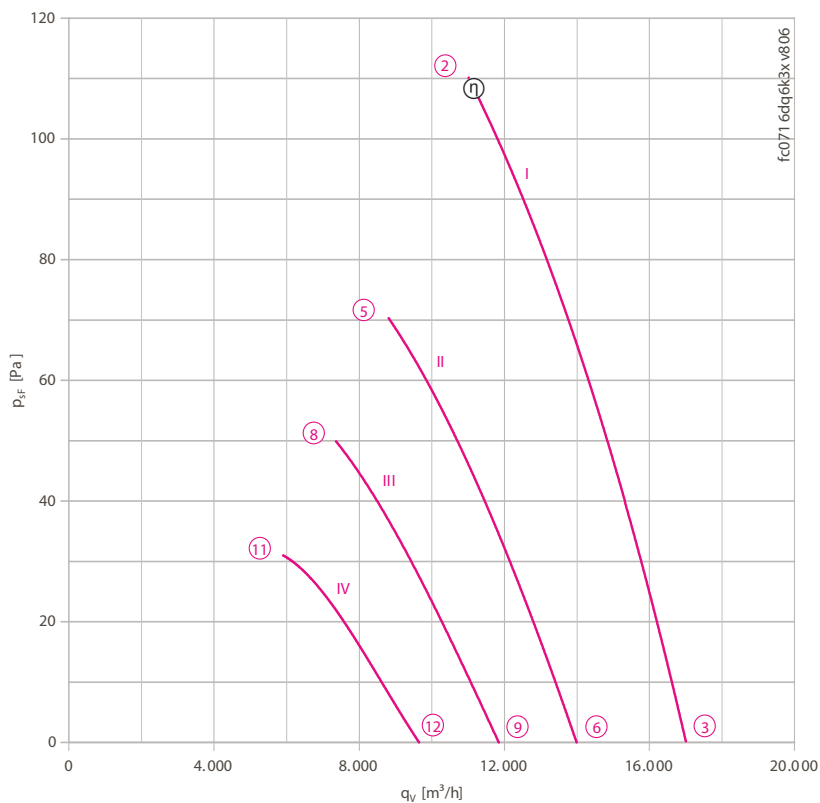
FC071-6D



## Description

Motor technology: AC  
 Rated voltage  $U_N$ : 3~ 230/400 V ( $\Delta/Y$ )  $\pm 10$  %\*  
 Rated frequency  $f_N$ : 50 Hz\* (60Hz data available)  
 Motor input power  $P_1$ : 0.89 kW\*  
 Rated current  $I_N$ : 3.10/1.80 A\*  
 Rated speed  $n_N$ : 890 min<sup>-1</sup>\*  
 Starting current  $I_a$ : 11.00 A / 6.40 A  
 Current increase  $\Delta I$ : 0 %  
 Thermal class: THCL155\*  
 Min. permitted conveyor temperature  $t_{R(min)}$ : -40 °C  
 Max. permitted conveyor temperature  $t_{R(max)}$ : 70 °C  
 Electrical connection: Terminal box  
 Number of blades: 7  
 Protection class: IP54  
 Motor protection: Thermal contact  
 Blades: Aluminium, 1 coat paint, black  
 Rotor: Aluminium, 1 coat paint, black  
 Conformity: ErP 2015, CE  
**ErP Data**  
 Efficiency  $\eta_{statA}$ : 37.1 %  
 Efficiency:  $N_{actual} = 43.9 / N_{target} = 40$ \*\*  
 \* Rated data  
 \*\*ErP 2015

## Characteristic curve



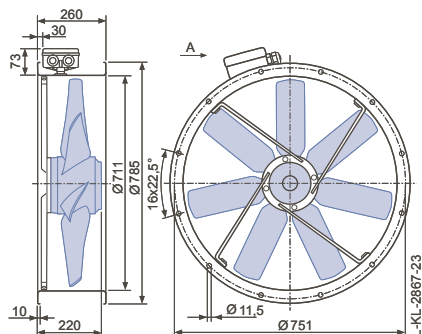
Measured in full bell mouth without guard grille in installation type A according to ISO 5801.

- Connection diagram 1360-106XB Page 608
- System components Page 524

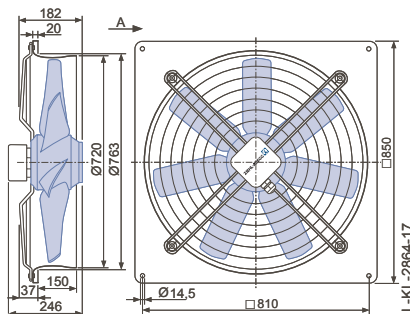
## Dimensions [mm]

### Airflow direction A

Design F - flange ring with two flanges without guard grille



Design Q - square, full bell mouth



### Performance data

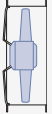
Type	Characteristic curve	Voltage	Operating point	Current	Motor input power	Speed	Suction side sound power level
		U [V]		I [A]	P <sub>1</sub> [W]	n [min <sup>-1</sup> ]	
FC071-6D_.6K.A7	I	400*	②	1.80*	890*	890*	82
		400	③	1.65	780	900	82
	II	230	⑤	1.80	600	710	76
		230	⑥	1.70	550	750	78
	III	180	⑧	1.75	440	600	72
		180	⑨	1.65	420	630	73
	IV	140	⑪	1.55	300	480	67
		140	⑫	1.50	290	520	69

\*rated data

### Fan ordering information

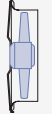
**Airflow direction A**

Design    F (without guard grille)    Q



**Type**    **FC071-6DF.6K.A7**

**Article no.**    **125027**







**Type**    **FC071-6DQ.6K.A7**

**Article no.**    **125004**

Weight [kg]    34.30    33.00

### Control technology

Frequency inverter Fcontrol 3~  ↗ Page 558	Motor protection units 3~  ↗ Page 596	Transformer-based controllers 3~  ↗ Page 591	Electronic voltage controllers 3~  ↗ Page 578
--	---	--	---

# FC

for three phase alternating current, 8 pole

FC071-8D

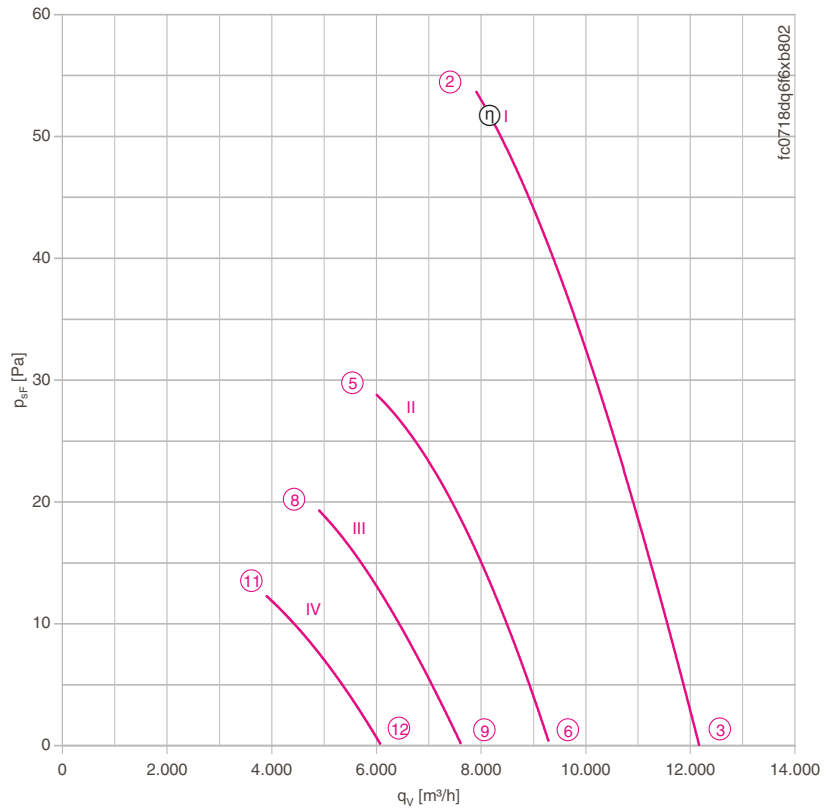


### Description

Motor technology: AC  
 Rated voltage  $U_N$ : 3~ 230/400 V ( $\Delta/Y$ )  $\pm 10$  %\*  
 Rated frequency  $f_N$ : 50 Hz\* (60Hz data available)  
 Motor input power  $P_1$ : 0.43 kW\*  
 Rated current  $I_N$ : 1.95/1.10 A\*  
 Rated speed  $n_N$ : 640 min<sup>-1</sup>\*  
 Starting current  $I_a$ : 4.20 A / 2.40 A  
 Current increase  $\Delta I$ : 0 %  
 Thermal class: THCL155\*  
 Min. permitted conveyor temperature  $t_{R(min)}$ : -40 °C  
 Max. permitted conveyor temperature  $t_{R(max)}$ : 70 °C  
 Electrical connection: Terminal box  
 Number of blades: 7  
 Protection class: IP54  
 Motor protection: Thermal contact  
 Blades: Aluminium, 1 coat paint, black  
 Rotor: Aluminium, 1 coat paint, black  
 Conformity: ErP 2013, CE

**ErP Data**  
 Efficiency  $\eta_{statA}$ : 29.3 %  
 Efficiency:  $N_{actual} = 38.1 / N_{target} = 36$ \*\*  
 \* Rated data  
 \*\*ErP 2013

Characteristic curve



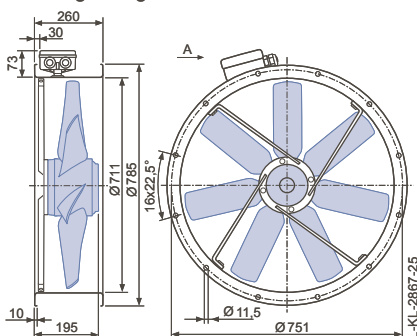
Measured in full bell mouth without guard grille in installation type A according to ISO 5801.

- Connection diagram 1360-106XB Page 608
- System components Page 524

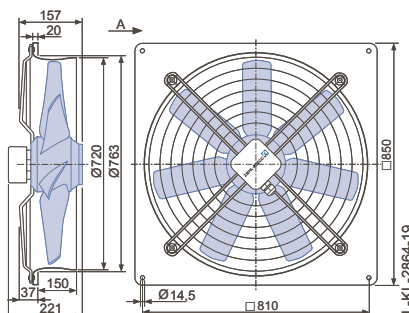
### Dimensions [mm]

#### Airflow direction A

Design F - flange ring with two flanges without guard grille



Design Q - square, full bell mouth




### Performance data

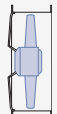
Type	Characteristic curve	Voltage	Operating point	Current	Motor input power	Speed	Suction side sound power level
		U [V]		I [A]	P <sub>1</sub> [W]	n [min <sup>-1</sup> ]	L <sub>WAS</sub> [dB]
FC071-8D_.6F.A7	I	400*	②	1.10*	420*	640*	75
		400	③	1.05	370	650	75
	II	230	⑤	0.83	240	480	68
		230	⑥	0.79	220	510	68
	III	180	⑧	0.75	160	390	63
		180	⑨	0.72	155	420	64
	IV	140	⑪	0.64	110	310	57
		140	⑫	0.62	105	330	59

\*rated data

### Fan ordering information

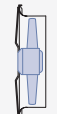
**Airflow direction A** 

Design F (without guard grille) Q



**Type** FC071-8DF.6F.A7  
**Article no.** 125028

Weight [kg] 30.40




**Type** FC071-8DQ.6F.A7  
**Article no.** 125005

Weight [kg] 29.30

### Control technology

Frequency inverter  
Fcontrol 3~




➤ Page 558

Motor protection units  
3~




➤ Page 596

Transformer-based  
controllers 3~



➤ Page 591

Electronic voltage  
controllers 3~



➤ Page 578

# FC

for three phase alternating current, 4-4 pole

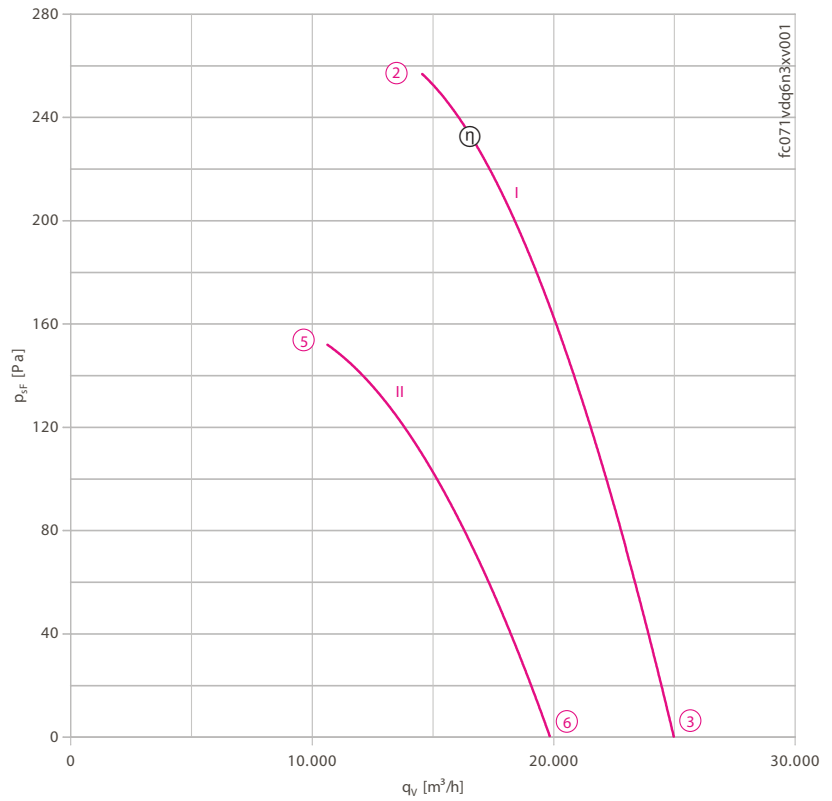
FC071-VD



## Description

Motor technology: AC  
 Rated voltage  $U_N$ : 3- 400 V ( $\Delta/Y$ )  $\pm 10$  %\*  
 Rated frequency  $f_N$ : 50 Hz\*  
 Motor input power  $P_1$ : 2.90/1.80 kW\*  
 Rated current  $I_N$ : 5.30/3.00 A\*  
 Rated speed  $n_N$ : 1290/ 990 min<sup>-1</sup>\*  
 Starting current  $I_s$ : 19.00 A / 6.00 A  
 Current increase  $\Delta I$ : 0 %  
 Thermal class: **THCL155\***  
 Min. permitted conveyor temperature  $t_{R(min)}$ : -40 °C  
 Max. permitted conveyor temperature  $t_{R(max)}$ : 65 °C  
 Electrical connection: Terminal box  
 Number of blades: 7  
 Protection class: IP54  
 Motor protection: Thermal contact  
 Blades: Aluminium, 1 coat paint, black  
 Rotor: Aluminium, 1 coat paint, black  
 Conformity: ErP 2015, CE  
**ErP Data**  
 Efficiency  $\eta_{statA}$ : 36.4 %  
 Efficiency:  $N_{actual} = 40.0 / N_{target} = 40$ \*\*  
 \* Rated data  
 \*\*ErP 2015

## Characteristic curve



Measured in full bell mouth without guard grille in installation type A according to ISO 5801.

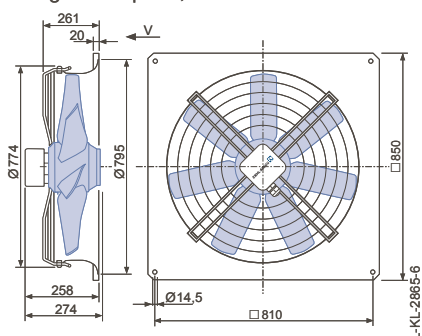
➤ Connection diagram 1360-108XA Page 608

➤ System components Page 524

## Dimensions [mm]

← Airflow direction V

Design Q - square, full bell mouth



Performance data


Type	Connection	Characteristic curve	Voltage	Operating point	Current	Motor input power	Speed	Suction side sound power level
			U [V]		I [A]	P <sub>1</sub> [W]	n [min <sup>-1</sup> ]	L <sub>WA5</sub> [dB]
FC071-VD_6N.V7	Δ	I	400*	②	5.10*	2800*	1300*	90
			400	③	4.50	2400	1330	90
	Y	II	400*	⑤	3.00*	1800*	990*	83
			400	⑥	2.80	1600	1060	84

\*rated data

Fan ordering information



Design Q



**Type** FC071-VDQ.6N.V7  
**Article no.** 132521

Weight [kg] 41.20

Control technology

<p>Frequency inverter Fcontrol 3~</p>  <p>➤ Page 558</p>	<p>Motor protection units 3~</p>  <p>➤ Page 596</p>	<p>Transformer-based controllers 3~</p>  <p>➤ Page 591</p>	<p>Electronic voltage controllers 3~</p>  <p>➤ Page 578</p>
--	---	--	---

Information

FE2owlet  
ECblue

FE2owlet

FB

FC

System components

Control technology

Appendix



# FC

for three phase alternating current, 6-6 pole

FC071-SD

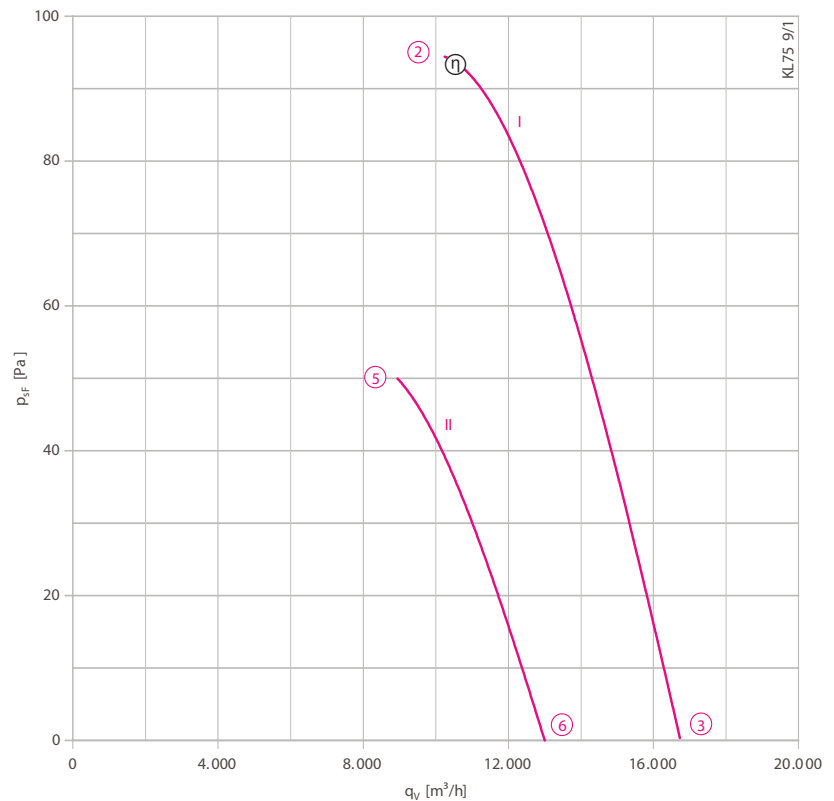


## Description

Motor technology: AC  
 Rated voltage  $U_N$ : 3- 400 V ( $\Delta/Y$ )  $\pm 10$  %\*  
 Rated frequency  $f_N$ : 50 Hz\* (60Hz data available)  
 Motor input power  $P_1$ : 0.91/0.62 kW\*  
 Rated current  $I_N$ : 2.00/1.10 A\*  
 Rated speed  $n_N$ : 890/ 710 min<sup>-1</sup>\*  
 Starting current  $I_s$ : 6.10 A / 2.00 A  
 Current increase  $\Delta I$ : 0 %  
 Thermal class: THCL155\*  
 Min. permitted conveyor temperature  $t_{R(min)}$ : -40 °C  
 Max. permitted conveyor temperature  $t_{R(max)}$ : 70 °C  
 Electrical connection: Terminal box  
 Number of blades: 7  
 Protection class: IP54  
 Motor protection: Thermal contact  
 Blades: Aluminium, 1 coat paint, black  
 Rotor: Aluminium, 1 coat paint, black  
 Conformity: ErP 2015, CE

**ErP Data**  
 Efficiency  $\eta_{statA}$ : 37.1 %  
 Efficiency:  $N_{actual} = 43.9 / N_{target} = 40$ \*\*  
 \* Rated data  
 \*\*ErP 2015

Characteristic curve



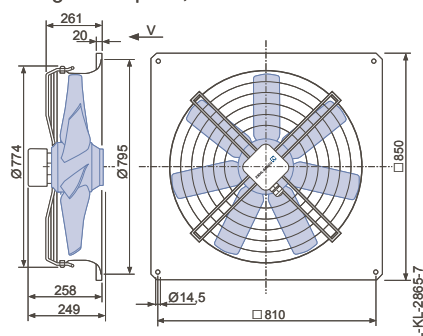
Measured in full bell mouth without guard grille in installation type A according to ISO 5801.

- Connection diagram 1360-108XA Page 608
- System components Page 524

## Dimensions [mm]



Design Q - square, full bell mouth



Performance data


Type	Connection	Characteristic curve	Voltage	Operating point	Current	Motor input power	Speed	Suction side sound power level
			U [V]		I [A]	P <sub>1</sub> [W]	n [min <sup>-1</sup> ]	L <sub>WA5</sub> [dB]
FC071-SD_6K.V7	Δ	I	400*	②	2.00*	910*	890*	82
			400	③	1.75	800	900	82
	Y	II	400*	⑤	1.10*	620*	710*	76
			400	⑥	1.10	550	730	78

\*rated data

Fan ordering information



Design Q



**Type** FC071-SDQ.6K.V7  
**Article no.** 123999

Weight [kg] 35.70

Control technology

<p>Frequency inverter Fcontrol 3~</p>  <p>➤ Page 558</p>	<p>Motor protection units 3~</p>  <p>➤ Page 596</p>	<p>Transformer-based controllers 3~</p>  <p>➤ Page 591</p>	<p>Electronic voltage controllers 3~</p>  <p>➤ Page 578</p>
--	---	--	---

Information

FE2owlet  
ECblue

FE2owlet

FB

FC

System  
components

Control  
technology

Appendix





# FC

for three phase alternating current, 8-8 pole

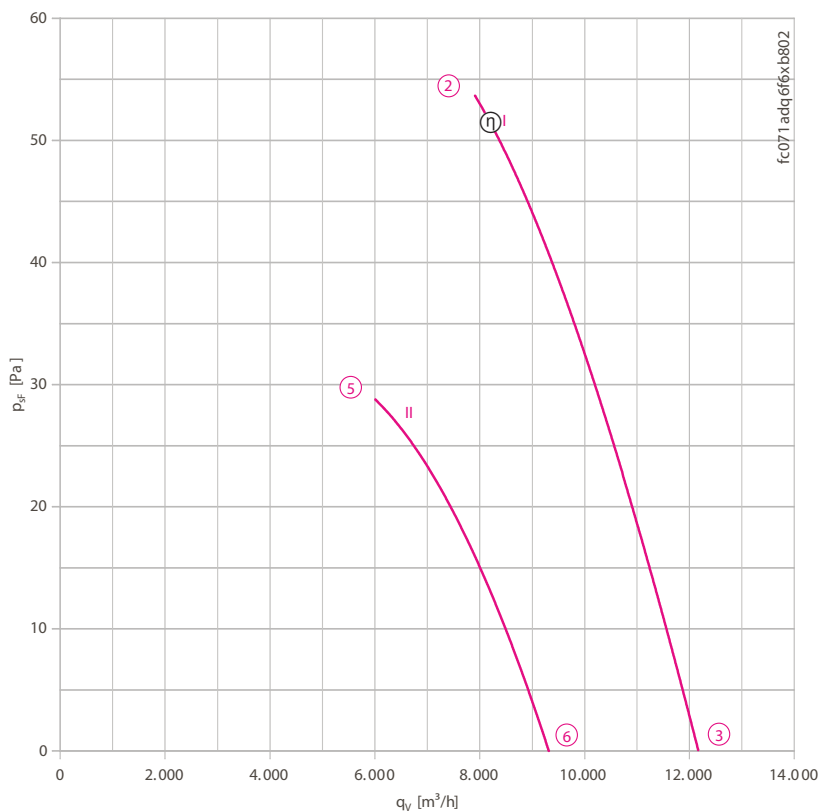
FC071-AD



## Description

Motor technology: AC  
 Rated voltage  $U_N$ : 3- 400 V ( $\Delta/Y$ )  $\pm 10$  %\*  
 Rated frequency  $f_N$ : 50 Hz\* (60Hz data available)  
 Motor input power  $P_1$ : 0.43/0.26 kW\*  
 Rated current  $I_N$ : 1.10/0.56 A\*  
 Rated speed  $n_N$ : 640/ 490 min<sup>-1</sup>\*  
 Starting current  $I_s$ : 2.40 A / 0.75 A  
 Current increase  $\Delta I$ : 0 %  
 Thermal class: THCL155\*  
 Min. permitted conveyor temperature  $t_{R(min)}$ : -40 °C  
 Max. permitted conveyor temperature  $t_{R(max)}$ : 70 °C  
 Electrical connection: Terminal box  
 Number of blades: 7  
 Protection class: IP54  
 Motor protection: Thermal contact  
 Blades: Aluminium, 1 coat paint, black  
 Rotor: Aluminium, 1 coat paint, black  
 Conformity: ErP 2013, CE  
**ErP Data**  
 Efficiency  $\eta_{statA}$ : 29.3 %  
 Efficiency:  $N_{actual} = 38.1 / N_{target} = 36$ \*\*  
 \* Rated data  
 \*\*ErP 2013

## Characteristic curve



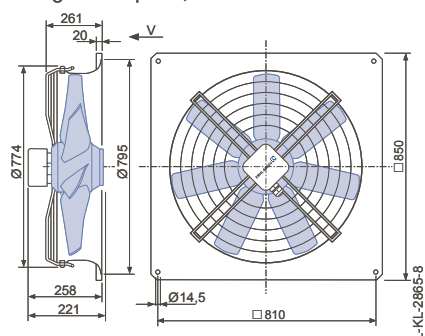
Measured in full bell mouth without guard grille in installation type A according to ISO 5801.

- Connection diagram 1360-108XA Page 608
- System components Page 524

## Dimensions [mm]

← Airflow direction V

Design Q - square, full bell mouth



### Performance data

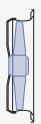
Type	Connection	Characteristic curve	Voltage	Operating point	Current	Motor input power	Speed	Suction side sound power level
			U [V]		I [A]	P <sub>1</sub> [W]	n [min <sup>-1</sup> ]	L <sub>WA5</sub> [dB]
FC071-AD_6F.V7	Δ	I	400*	②	1.10*	420*	640*	75
			400	③	1.05	370	650	75
	Y	II	400*	⑤	0.48*	240*	480*	68
			400	⑥	0.46	220	510	68

\*rated data

### Fan ordering information

← Airflow direction V

Design Q



**Type** FC071-ADQ.6F.V7  
**Article no.** 123997

Weight [kg] 30.40

### Control technology

<p>Frequency inverter Fcontrol 3~</p>  <p>➤ Page 558</p>	<p>Motor protection units 3~</p>  <p>➤ Page 596</p>	<p>Transformer-based controllers 3~</p>  <p>➤ Page 591</p>	<p>Electronic voltage controllers 3~</p>  <p>➤ Page 578</p>
--	---	--	---

Information

FE2owlet  
ECblue

FE2owlet

FB

FC

System  
components

Control  
technology

Appendix

# FC

for three phase alternating current, 6 pole

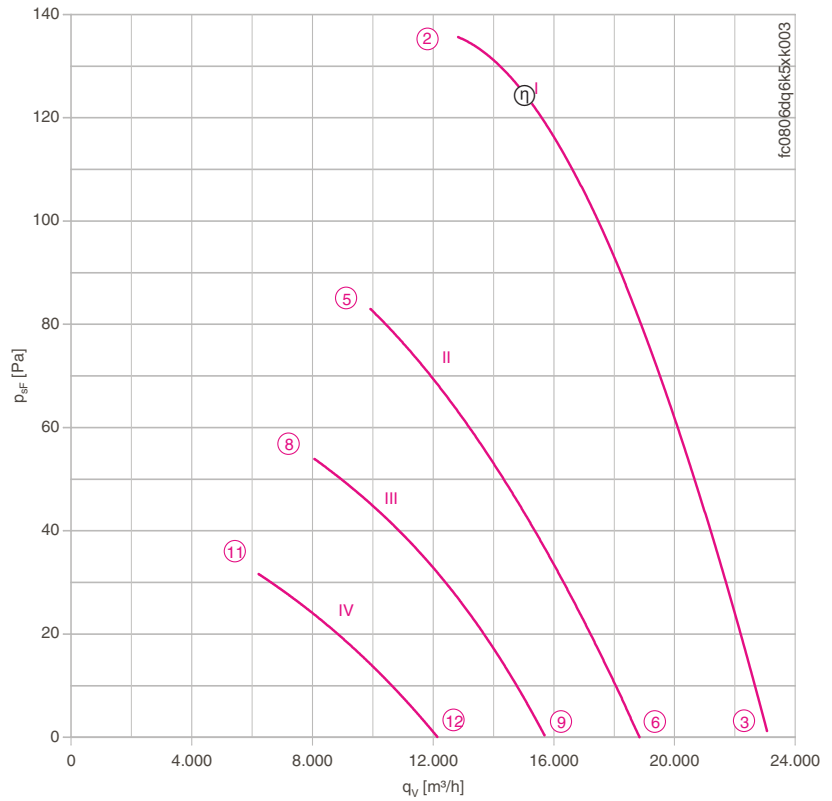
FC080-6D



## Description

Motor technology: AC  
 Rated voltage  $U_N$ : 3~ 230/400 V ( $\Delta/Y$ )  $\pm 10$  %\*  
 Rated frequency  $f_N$ : 50 Hz\*  
 Motor input power  $P_1$ : 1.40 kW\*  
 Rated current  $I_N$ : 4.70/2.70 A\*  
 Rated speed  $n_N$ : 900 min<sup>-1</sup>\*  
 Starting current  $I_a$ : 17.00 A / 9.80 A  
 Current increase  $\Delta I$ : 10 %  
 Thermal class: **THCL155**\*  
 Min. permitted conveyor temperature  $t_{R(min)}$ : -40 °C  
 Max. permitted conveyor temperature  $t_{R(max)}$ : 60 °C  
 Electrical connection: Terminal box  
 Number of blades: 7  
 Protection class: IP54  
 Motor protection: Thermal contact  
 Blades: Aluminium, 1 coat paint, black  
 Rotor: Aluminium, 1 coat paint, black  
 Conformity: ErP 2015, CE  
**ErP Data**  
 Efficiency  $\eta_{statA}$ : 38.0 %  
 Efficiency:  $N_{actual} = 43.4 / N_{target} = 40$ \*\*  
 \* Rated data  
 \*\*ErP 2015

Characteristic curve



Measured in full bell mouth without guard grille in installation type A according to ISO 5801.

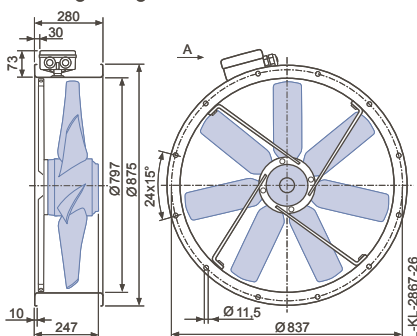
➤ Connection diagram 1360-106XB Page 608

➤ System components Page 524

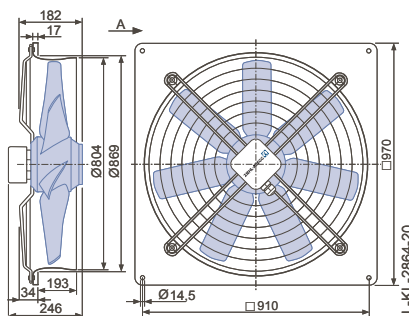
## Dimensions [mm]

### Airflow direction A

Design F - flange ring with two flanges without guard grille



Design Q - square, full bell mouth




Performance data

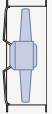
Type	Characteristic curve	Voltage	Operating point	Current	Motor input power	Speed	Suction side sound power level
		U [V]		I [A]	P <sub>1</sub> [W]	n [min <sup>-1</sup> ]	L <sub>WAS</sub> [dB]
FC080-6D_6K.A7	I	400*	②	2.70*	1400*	900*	82
		400	③	2.40	1150	920	81
	II	230	⑤	3.00	940	690	76
		230	⑥	2.60	840	750	77
	III	180	⑧	2.80	670	560	71
		180	⑨	2.60	640	630	73
	IV	140	⑪	2.40	430	430	65
		140	⑫	2.30	420	490	67

\*rated data

Fan ordering information

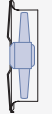
**Airflow direction A** 

Design F (without guard grille) Q



**Type** FC080-6DF.6K.A7  
**Article no.** 125030

Weight [kg] 39.10




**Type** FC080-6DQ.6K.A7  
**Article no.** 125009

Weight [kg] 38.60


Control technology

Frequency inverter  
Fcontrol 3~




➤ Page 558

Motor protection units  
3~




➤ Page 596

Transformer-based  
controllers 3~



➤ Page 591

Electronic voltage  
controllers 3~



➤ Page 578

# FC

for three phase alternating current, 8 pole

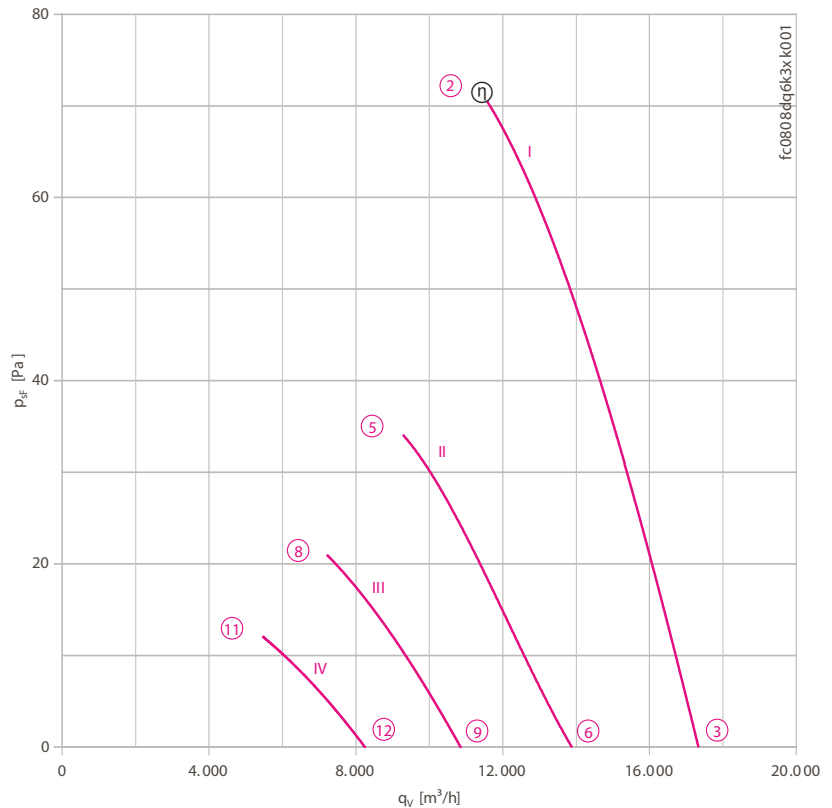
FC080-8D



## Description

Motor technology: AC  
 Rated voltage  $U_N$ : 3~ 230/400 V ( $\Delta/Y$ )  $\pm 10$  %\*  
 Rated frequency  $f_N$ : 50 Hz\* (60Hz data available)  
 Motor input power  $P_1$ : 0.69 kW\*  
 Rated current  $I_N$ : 3.00/1.75 A\*  
 Rated speed  $n_N$ : 670 min<sup>-1</sup>\*  
 Starting current  $I_a$ : 8.50 A / 5.00 A  
 Current increase  $\Delta I$ : 0 %  
 Thermal class: THCL155\*  
 Min. permitted conveyor temperature  $t_{R(min)}$ : -40 °C  
 Max. permitted conveyor temperature  $t_{R(max)}$ : 65 °C  
 Electrical connection: Terminal box  
 Number of blades: 7  
 Protection class: IP54  
 Motor protection: Thermal contact  
 Blades: Aluminium, 1 coat paint, black  
 Rotor: Aluminium, 1 coat paint, black  
 Conformity: ErP 2015, CE  
**ErP Data**  
 Efficiency  $\eta_{statA}$ : 33.5 %  
 Efficiency:  $N_{actual} = 40.9 / N_{target} = 40$ \*\*  
 \* Rated data  
 \*\*ErP 2015

## Characteristic curve



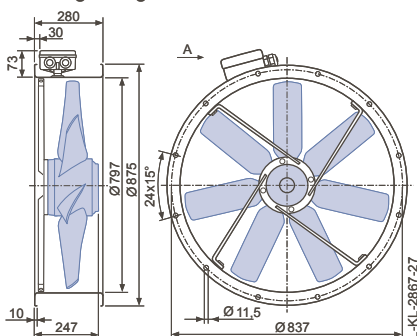
Measured in full bell mouth without guard grille in installation type A according to ISO 5801.

- Connection diagram 1360-106XB Page 608
- System components Page 524

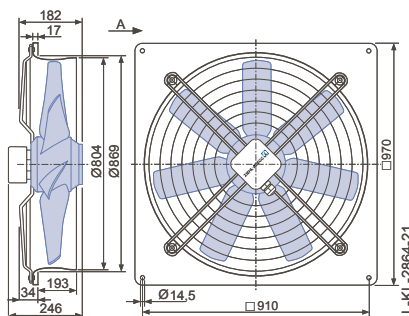
## Dimensions [mm]

### Airflow direction A

Design F - flange ring with two flanges without guard grille



Design Q - square, full bell mouth



### Performance data

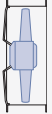
Type	Characteristic curve	Voltage	Operating point	Current	Motor input power	Speed	Suction side sound power level
		U [V]		I [A]	P <sub>1</sub> [W]	n [min <sup>-1</sup> ]	
FC080-8D_.6K.A7	I	400*	②	1.75*	690*	670*	75
		400	③	1.65	590	690	75
	II	230	⑤	1.60	430	500	70
		230	⑥	1.45	390	550	71
	III	180	⑧	1.45	290	390	64
		180	⑨	1.40	280	440	66
	IV	140	⑪	1.20	180	300	
		140	⑫	1.20	180	330	

\*rated data

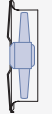
### Fan ordering information

**Airflow direction A**

Design F (without guard grille) Q





**Type** FC080-8DF.6K.A7  
**Article no.** 125031  
Weight [kg] 39.10



**Type** FC080-8DQ.6K.A7  
**Article no.** 125010  
Weight [kg] 38.60

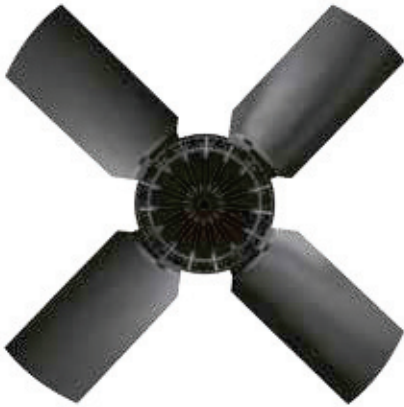
### Control technology

<p>Frequency inverter Fcontrol 3~</p>  <p>➤ Page 558</p>	<p>Motor protection units 3~</p>  <p>➤ Page 596</p>	<p>Transformer-based controllers 3~</p>  <p>➤ Page 591</p>	<p>Electronic voltage controllers 3~</p>  <p>➤ Page 578</p>
---	--	---	--

# FC

for three phase alternating current, 4-4 pole

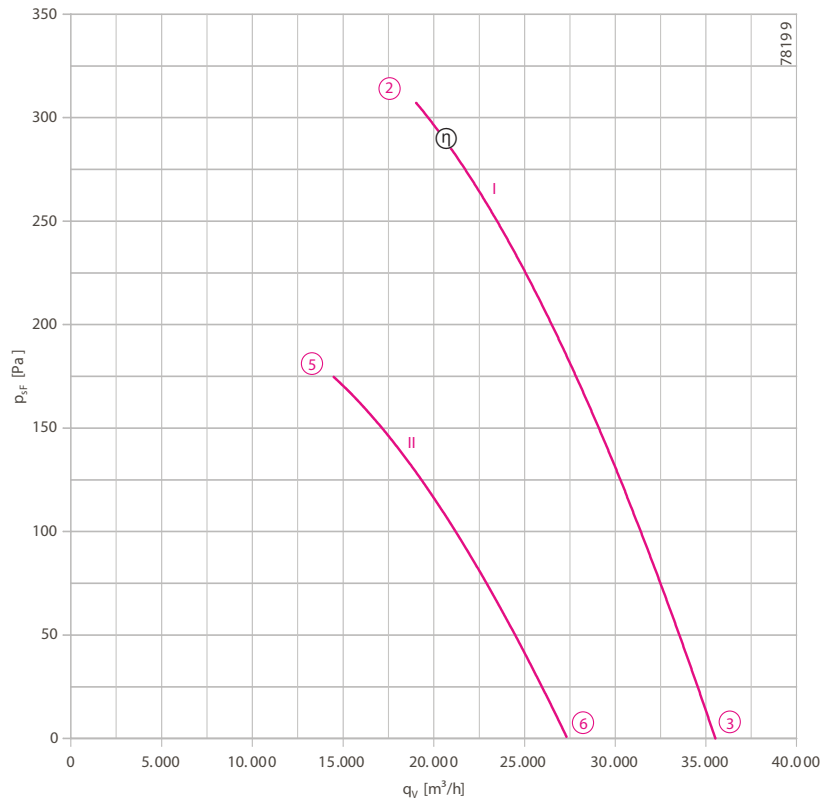
FC080-VD



## Description

Motor technology: AC  
 Rated voltage  $U_N$ : 3~ 400 V ( $\Delta/Y$ )  $\pm 10$  %\*  
 Rated frequency  $f_N$ : 50 Hz\*  
 Motor input power  $P_1$ : 5.20/3.20 kW\*  
 Rated current  $I_N$ : 8.60/5.00 A\*  
 Rated speed  $n_N$ : 1250/ 940  $\text{min}^{-1}$ \*  
 Starting current  $I_s$ : 32.00 A / 10.00 A  
 Current increase  $\Delta I$ : 5 %  
 Thermal class: **THCL155\***  
 Min. permitted conveyor temperature  $t_{R(\text{min})}$ : -40 °C  
 Max. permitted conveyor temperature  $t_{R(\text{max})}$ : 65 °C  
 Electrical connection: Terminal box  
 Number of blades: 4  
 Protection class: IP54  
 Motor protection: Thermal contact  
 Blades: Aluminium, 1 coat paint, black  
 Rotor: Aluminium, 1 coat paint, black  
 Conformity: ErP 2013, CE  
**ErP Data**  
 Efficiency  $\eta_{\text{statA}}$ : 34.2 %  
 Efficiency:  $N_{\text{actual}} = 36.1 / N_{\text{target}} = 36$ \*\*  
 \* Rated data  
 \*\*ErP 2013

## Characteristic curve



Measured in full bell mouth without guard grille in installation type A according to ISO 5801.

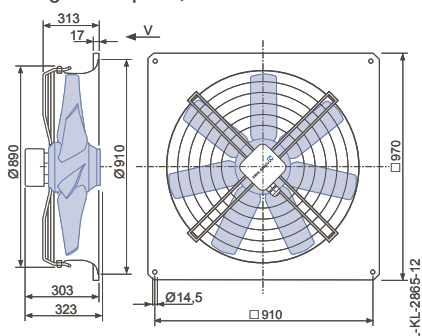
➤ Connection diagram 1360-108XA Page 608

➤ System components Page 524

## Dimensions [mm]

← Airflow direction V

Design Q - square, full bell mouth



### Performance data

Type	Connection	Characteristic curve	Voltage	Operating point	Current	Motor input power	Speed	Suction side sound power level
			U [V]		I [A]	P <sub>1</sub> [W]	n [min <sup>-1</sup> ]	L <sub>WA5</sub> [dB]
FC080-VD_7Q.V4	Δ	I	400*	②	8.60*	5170*	1250*	93
			400	③	7.90	4680	1280	90
			400*	⑤	5.00*	3150*	940*	87
	Y	II	400	⑥	4.70	2970	990	84

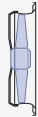
\*rated data

### Fan ordering information



Design

Q



**Type** FC080-VDQ.7Q.V4

**Article no.** 152886

**Weight [kg]** 61.90

### Control technology

Frequency inverter  
Fcontrol 3~



➤ Page 558

Motor protection units  
3~



➤ Page 596

Transformer-based  
controllers 3~



➤ Page 591

Electronic voltage  
controllers 3~



➤ Page 578

Information

FE2owlet  
ECblue

FE2owlet

FB

FC

System  
components

Control  
technology

Appendix



# FC

for three phase alternating current, 6-6 pole

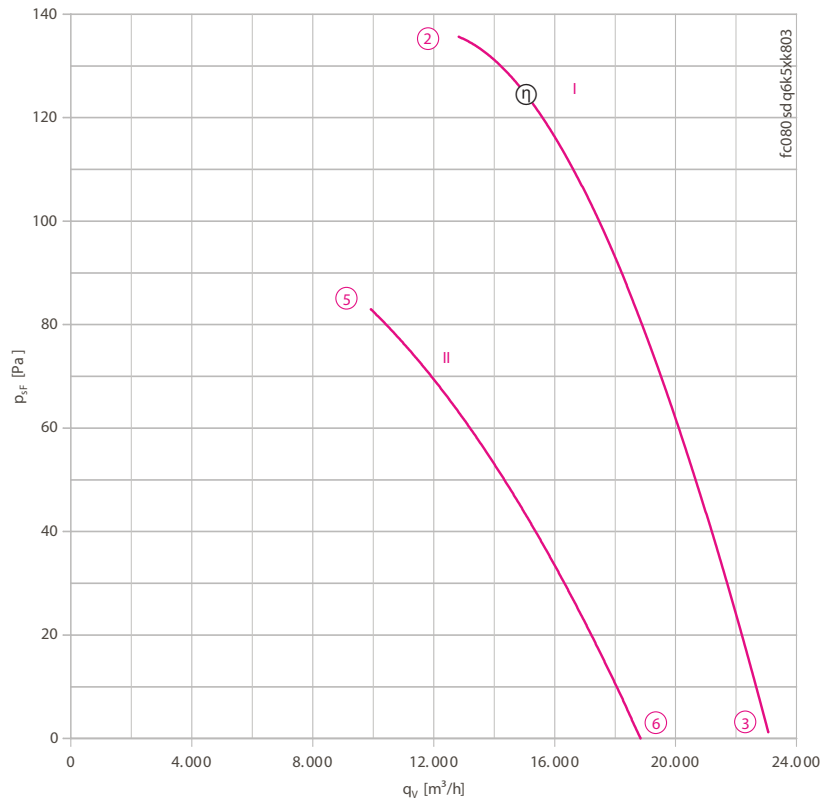
FC080-SD



## Description

Motor technology: AC  
 Rated voltage  $U_N$ : 3- 400 V ( $\Delta/Y$ )  $\pm 10$  %\*  
 Rated frequency  $f_N$ : 50 Hz\*  
 Motor input power  $P_1$ : 1.40/0.94 kW\*  
 Rated current  $I_N$ : 2.70/1.70 A\*  
 Rated speed  $n_N$ : 900/ 690 min<sup>-1</sup>\*  
 Starting current  $I_s$ : 9.80 A / 3.30 A  
 Current increase  $\Delta I$ : 10 %  
 Thermal class: THCL155\*  
 Min. permitted conveyor temperature  $t_{R(min)}$ : -40 °C  
 Max. permitted conveyor temperature  $t_{R(max)}$ : 60 °C  
 Electrical connection: Terminal box  
 Number of blades: 7  
 Protection class: IP54  
 Motor protection: Thermal contact  
 Blades: Aluminium, 1 coat paint, black  
 Rotor: Aluminium, 1 coat paint, black  
 Conformity: ErP 2015, CE  
**ErP Data**  
 Efficiency  $\eta_{statA}$ : 38.0 %  
 Efficiency:  $N_{actual} = 43.4 / N_{target} = 40$ \*\*  
 \* Rated data  
 \*\*ErP 2015

Characteristic curve



Measured in full bell mouth without guard grille in installation type A according to ISO 5801.

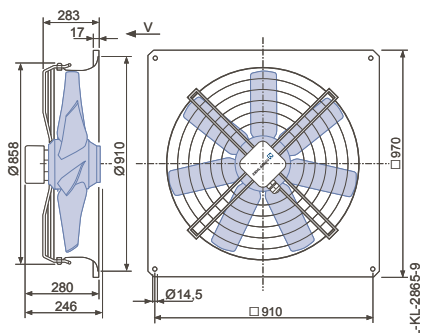
➤ Connection diagram 1360-108XA Page 608

➤ System components Page 524

## Dimensions [mm]

← Airflow direction V

Design Q - square, full bell mouth



### Performance data

Type	Connection	Characteristic curve	Voltage	Operating point	Current	Motor input power	Speed	Suction side sound power level
			U [V]		I [A]	P <sub>1</sub> [W]	n [min <sup>-1</sup> ]	L <sub>WA5</sub> [dB]
FC080-SD_6K.V7	Δ	I	400*	②	2.70*	1400*	900*	82
			400	③	2.40	1150	920	81
	Y	II	400*	⑤	1.70*	940*	690*	76
			400	⑥	1.50	840	750	77

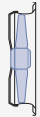
\*rated data

### Fan ordering information



Design

Q



**Type** FC080-SDQ.6K.V7

**Article no.** 132888

**Weight [kg]** 41.00

### Control technology

Frequency inverter  
Fcontrol 3~



➤ Page 558

Motor protection units  
3~



➤ Page 596

Transformer-based  
controllers 3~



➤ Page 591

Electronic voltage  
controllers 3~



➤ Page 578

# FC

for three phase alternating current, 8-8 pole

FC080-AD

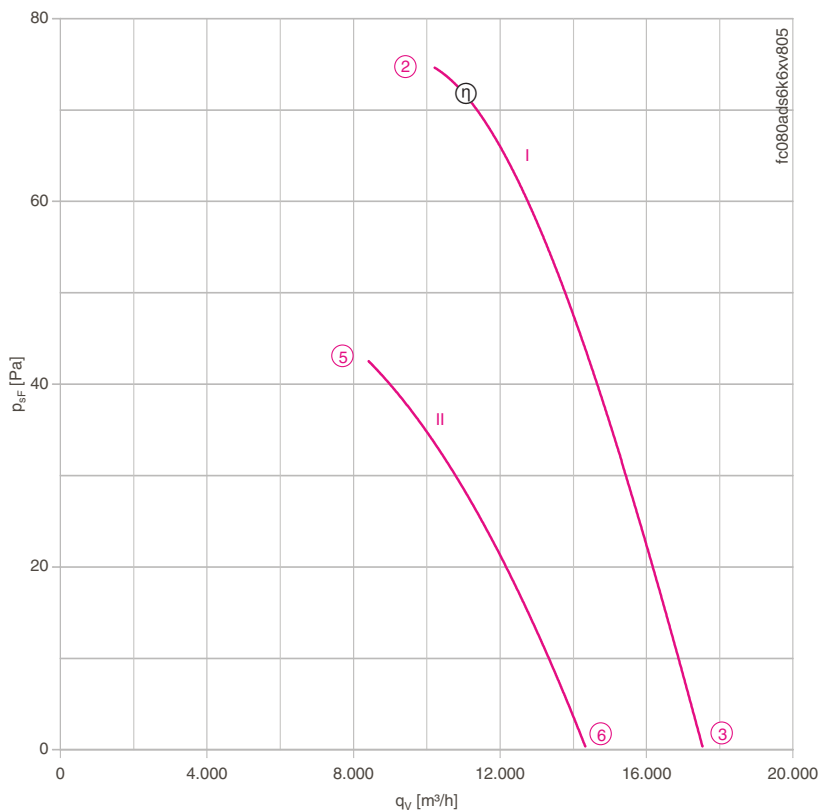


## Description

Motor technology: AC  
 Rated voltage  $U_N$ : 3- 400 V ( $\Delta/Y$ )  $\pm 10$  %\*  
 Rated frequency  $f_N$ : 50 Hz\* (60Hz data available)  
 Motor input power  $P_1$ : 0.72/0.44 kW\*  
 Rated current  $I_N$ : 1.80/0.90 A\*  
 Rated speed  $n_N$ : 680/ 490 min<sup>-1</sup>\*  
 Starting current  $I_s$ : 4.10 A / 1.40 A  
 Current increase  $\Delta I$ : 0 %  
 Thermal class: THCL155\*  
 Min. permitted conveyor temperature  $t_{R(min)}$ : -40 °C  
 Max. permitted conveyor temperature  $t_{R(max)}$ : 70 °C  
 Electrical connection: Terminal box  
 Number of blades: 7  
 Protection class: IP54  
 Motor protection: Thermal contact  
 Blades: Aluminium, 1 coat paint, black  
 Rotor: Aluminium, 1 coat paint, black  
 Conformity: ErP 2015, CE

**ErP Data**  
 Efficiency  $\eta_{statA}$ : 33.5 %  
 Efficiency:  $N_{actual} = 40.9 / N_{target} = 40$ \*\*  
 \* Rated data  
 \*\*ErP 2015

Characteristic curve



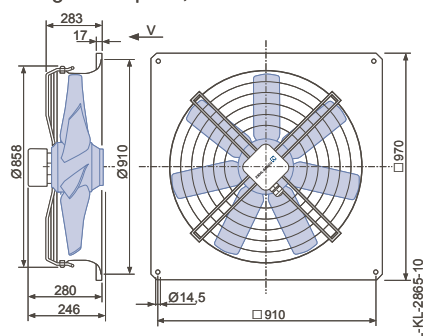
Measured in full bell mouth without guard grille in installation type A according to ISO 5801.

- Connection diagram 1360-108XA Page 608
- System components Page 524

## Dimensions [mm]

← Airflow direction V

Design Q - square, full bell mouth



### Performance data

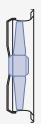
Type	Connection	Characteristic curve	Voltage	Operating point	Current	Motor input power	Speed	Suction side sound power level
			U [V]		I [A]	P <sub>1</sub> [W]	n [min <sup>-1</sup> ]	L <sub>WA5</sub> [dB]
FC080-AD_6K.V7	Δ	I	400*	②	1.80*	720*	680*	75
			400	③	1.70	600	700	75
	Y	II	400*	⑤	0.98*	470*	520*	70
			400	⑥	0.87	420	580	71

\*rated data

### Fan ordering information



Design Q



**Type** FC080-ADQ.6K.V7  
**Article no.** 132884

Weight [kg] 41.00

### Control technology

<p>Frequency inverter Fcontrol 3~</p>  <p>➤ Page 558</p>	<p>Motor protection units 3~</p>  <p>➤ Page 596</p>	<p>Transformer-based controllers 3~</p>  <p>➤ Page 591</p>	<p>Electronic voltage controllers 3~</p>  <p>➤ Page 578</p>
--	---	--	---

- Information
- FE2owlet ECblue
- FE2owlet
- FB
- FC
- System components
- Control technology
- Appendix



# FC

for three phase alternating current, 12-12 pole

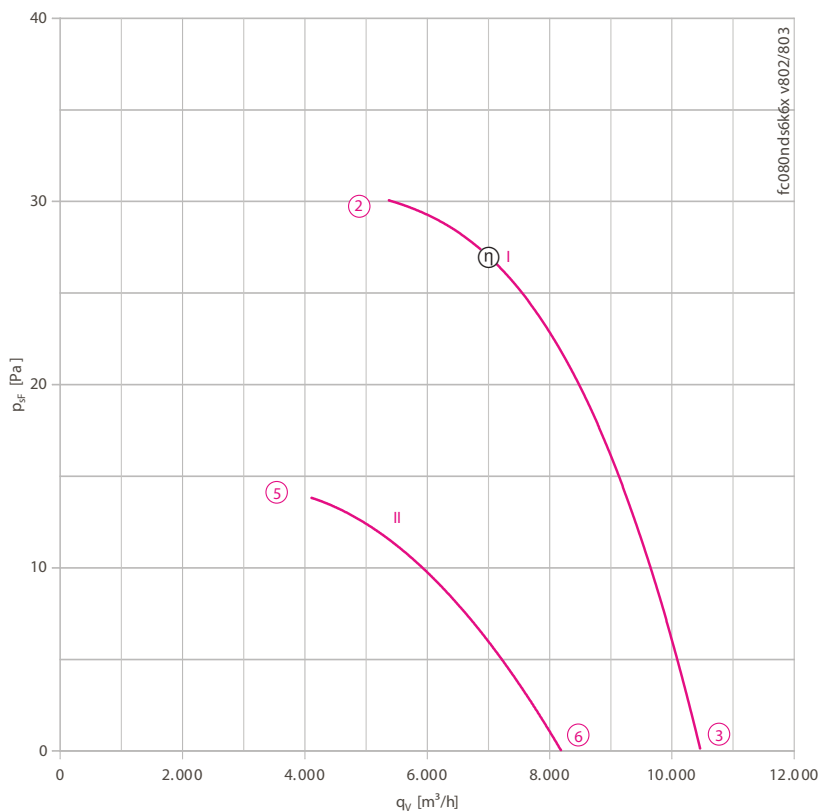
FC080-ND



## Description

Motor technology: AC  
 Rated voltage  $U_N$ : 3- 400 V ( $\Delta/Y$ )  $\pm 10$  %\*  
 Rated frequency  $f_N$ : 50 Hz\* (60Hz data available)  
 Motor input power  $P_1$ : 0.21/0.11 kW\*  
 Rated current  $I_N$ : 0.65/0.29 A\*  
 Rated speed  $n_N$ : 430/ 310 min<sup>-1</sup>\*  
 Starting current  $I_s$ : 1.20 A / 0.40 A  
 Current increase  $\Delta I$ : 0 %  
 Thermal class: **THCL155\***  
 Min. permitted conveyor temperature  $t_{R(min)}$ : -40 °C  
 Max. permitted conveyor temperature  $t_{R(max)}$ : 70 °C  
 Electrical connection: Terminal box  
 Number of blades: 7  
 Protection class: IP54  
 Motor protection: Thermal contact  
 Blades: Aluminium, 1 coat paint, black  
 Rotor: Aluminium, 1 coat paint, black  
 Conformity: ErP 2013, CE  
**ErP Data**  
 Efficiency  $\eta_{statA}$ : 26.3 %  
 Efficiency:  $N_{actual} = 36.9 / N_{target} = 36$ \*\*  
 \* Rated data  
 \*\*ErP 2013

Characteristic curve



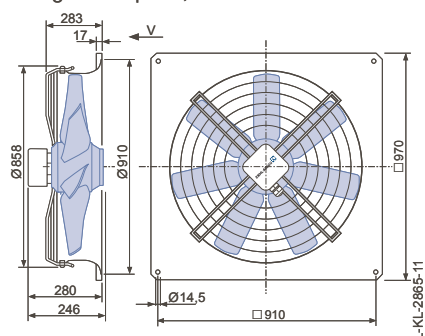
Measured in full bell mouth without guard grille in installation type A according to ISO 5801.

- Connection diagram 1360-108XA Page 608
- System components Page 524

## Dimensions [mm]

← Airflow direction V

Design Q - square, full bell mouth



Performance data

Type	Connection	Characteristic curve	Voltage	Operating point	Current	Motor input power	Speed	Suction side sound power level
			U [V]					
FC080-ND_6K.V7	Δ	I	400*	②	0.65*	210*	430*	65
			400	③	0.62	180	440	64
	Y	II	400*	⑤	0.29*	110*	310*	58
			400	⑥	0.27	100	340	58

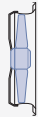
\*rated data

Fan ordering information



Design

Q



Type **FC080-NDQ.6K.V7**

Article no. **134166**

Weight [kg] 41.00

Control technology

Frequency inverter  
Fcontrol 3~



➤ Page 558

Motor protection units  
3~



➤ Page 596

Transformer-based  
controllers 3~



➤ Page 591

Electronic voltage  
controllers 3~



➤ Page 578

- Information
- FE2owlet ECblue
- FE2owlet
- FB
- FC
- System components
- Control technology
- Appendix



# FC

for three phase alternating current, 6-6 pole

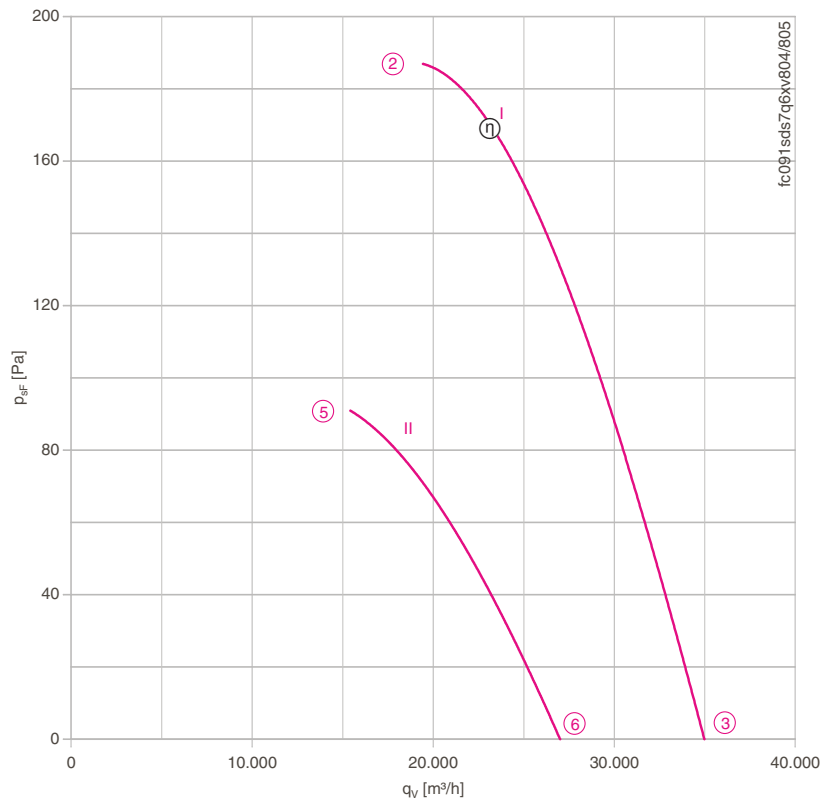
FC091-SD



## Description

Motor technology: AC  
 Rated voltage  $U_N$ : 3- 400 V ( $\Delta/Y$ )  $\pm 10$  %\*  
 Rated frequency  $f_N$ : 50 Hz\*  
 Motor input power  $P_1$ : 3.30/1.90 kW\*  
 Rated current  $I_N$ : 6.30/3.50 A\*  
 Rated speed  $n_N$ : 850/ 610 min<sup>-1</sup>\*  
 Starting current  $I_s$ : 22.00 A / 6.50 A  
 Current increase  $\Delta I$ : 10 %  
 Thermal class: THCL155\*  
 Min. permitted conveyor temperature  $t_{R(min)}$ : -40 °C  
 Max. permitted conveyor temperature  $t_{R(max)}$ : 60 °C  
 Electrical connection: Terminal box  
 Number of blades: 7  
 Protection class: IP54  
 Motor protection: Thermal contact  
 Blades: Aluminium, 1 coat paint, black  
 Rotor: Aluminium, 1 coat paint, black  
 Conformity: ErP 2015, CE  
**ErP Data**  
 Efficiency  $\eta_{statA}$ : 40.1 %  
 Efficiency:  $N_{actual} = 43.3 / N_{target} = 40$ \*\*  
 \* Rated data  
 \*\*ErP 2015

Characteristic curve



Measured in full bell mouth without guard grille in installation type A according to ISO 5801.

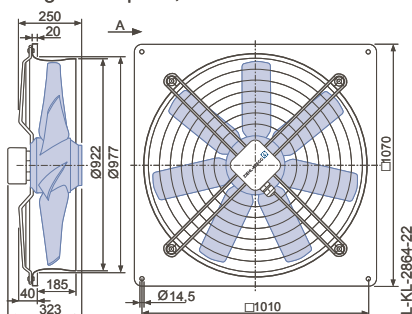
➤ Connection diagrams Page 608  
 for airflow direction V 1360-108XA  
 for airflow direction A 1360-108XB

➤ System components Page 524

## Dimensions [mm]

Airflow direction A

Design Q - square, full bell mouth


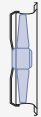


Performance data

Type	Connection	Characteristic curve	Voltage	Operating point	Current	Motor input power	Speed	Suction side sound power level
			U [V]					
FC091-SD_7Q_7	Δ	I	400*	②	6.30*	3300*	850*	88
			400	③	6.00	2900	890	89
	Y	II	400*	⑤	3.50*	1900*	610*	81
			400	⑥	3.20	1750	680	85

\*rated data

Fan ordering information

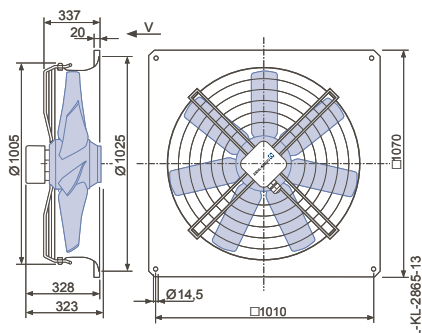
Airflow direction A		Airflow direction V	
Design	Q	Q	
			
Type	FC091-SDQ.7Q.A7	FC091-SDQ.7Q.V7	
Article no.	125011	124407	
Weight [kg]	64.90	69.40	

Control technology

<p>Frequency inverter Fcontrol 3~</p>  <p>➤ Page 558</p>	<p>Motor protection units 3~</p>  <p>➤ Page 596</p>	<p>Transformer-based controllers 3~</p>  <p>➤ Page 591</p>	<p>Electronic voltage controllers 3~</p>  <p>➤ Page 578</p>
--	---	--	---

Airflow direction V

Design Q - square, full bell mouth





# FC

for three phase alternating current, 8-8 pole

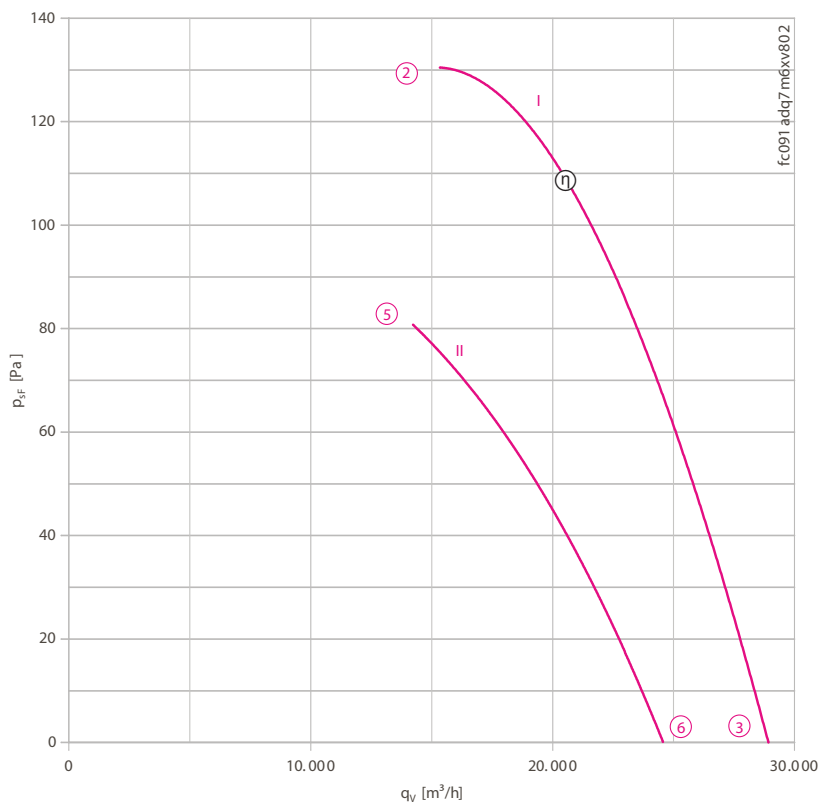
FC091-AD



## Description

Motor technology: AC  
 Rated voltage  $U_N$ : 3- 400 V ( $\Delta/Y$ )  $\pm 10$  %\*  
 Rated frequency  $f_N$ : 50 Hz\*  
 Motor input power  $P_1$ : 1.75/1.20 kW\*  
 Rated current  $I_N$ : 3.60/2.30 A\*  
 Rated speed  $n_N$ : 680/ 520 min<sup>-1</sup>\*  
 Starting current  $I_A$ : 14.00 A / 4.40 A  
 Current increase  $\Delta I$ : 10 %  
 Thermal class: **THCL155**\*  
 Min. permitted conveyor temperature  $t_{R(min)}$ : -40 °C  
 Max. permitted conveyor temperature  $t_{R(max)}$ : 60 °C  
 Electrical connection: Terminal box  
 Number of blades: 7  
 Protection class: IP54  
 Motor protection: Thermal contact  
 Blades: Aluminium, 1 coat paint, black  
 Rotor: Aluminium, 1 coat paint, black  
 Conformity: ErP 2013, CE  
**ErP Data**  
 Efficiency  $\eta_{statA}$ : 33.8 %  
 Efficiency:  $N_{actual} = 38.6 / N_{target} = 36$ \*\*  
 \* Rated data  
 \*\*ErP 2013

Characteristic curve



Measured in full bell mouth without guard grille in installation type A according to ISO 5801.

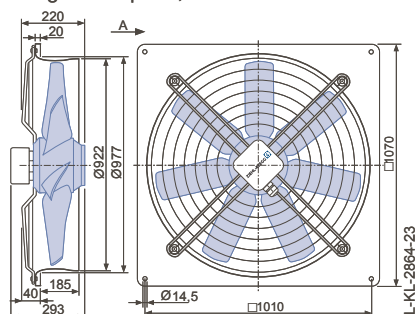
➤ Connection diagrams Page 608  
 for airflow direction V 1360-108XA  
 for airflow direction A 1360-108XB

➤ System components Page 524

## Dimensions [mm]

Airflow direction A

Design Q - square, full bell mouth


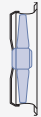


Performance data

Type	Connection	Characteristic curve	Voltage	Operating point	Current	Motor input power	Speed	Suction side sound power level
			U [V]		I [A]	P <sub>1</sub> [W]	n [min <sup>-1</sup> ]	L <sub>WA5</sub> [dB]
FC091-AD_7M_7	Δ	I	400*	②	3.40*	1750*	680*	83
			400	③	3.20	1500	690	84
	Y	II	400*	⑤	2.30*	1200*	520*	77
			400	⑥	1.95	1100	580	80

\*rated data

Fan ordering information

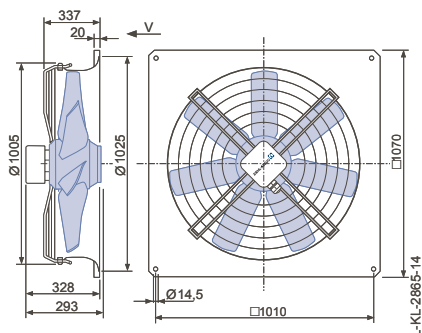
Airflow direction A		Airflow direction V	
Design	Q	Q	
			
Type	FC091-ADQ.7M.A7	FC091-ADQ.7M.V7	
Article no.	125012	120224	
Weight [kg]	58.60	63.10	

Control technology

<p>Frequency inverter Fcontrol 3~</p>  <p>➤ Page 558</p>	<p>Motor protection units 3~</p>  <p>➤ Page 596</p>	<p>Transformer-based controllers 3~</p>  <p>➤ Page 591</p>	<p>Electronic voltage controllers 3~</p>  <p>➤ Page 578</p>
--	---	--	---

Airflow direction V

Design Q - square, full bell mouth



# FC

for three phase alternating current, 6 pole

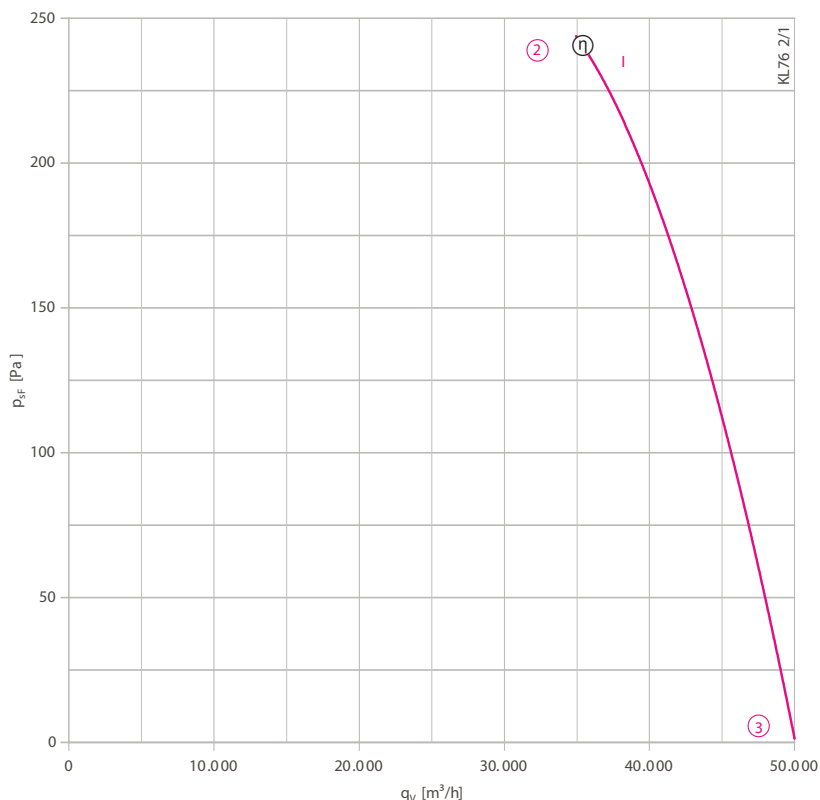
FC100-6D



## Description

Motor technology: AC  
 Rated voltage  $U_N$ : 3~ 230/400 V ( $\Delta/Y$ )  $\pm 10$  %\*  
 Rated frequency  $f_N$ : 50 Hz\*  
 Motor input power  $P_1$ : 5.50 kW\*  
 Rated current  $I_N$ : 18.00/10.50 A\*  
 Rated speed  $n_N$ : 935 min<sup>-1</sup>\*  
 Starting current  $I_s$ : 120.00 A / 67.00 A  
 Current increase  $\Delta I$ : - %  
 Thermal class: THCL155\*  
 Min. permitted conveyor temperature  $t_{R(min)}$ : -40 °C  
 Max. permitted conveyor temperature  $t_{R(max)}$ : 60 °C  
 Electrical connection: Terminal box  
 Number of blades: 7  
 Protection class: IP54  
 Motor protection: Thermal contact  
 Blades: Aluminium, 1 coat paint, black  
 Rotor: Aluminium, 1 coat paint, black  
 Conformity: ErP 2015, CE  
**ErP Data**  
 Efficiency  $\eta_{statA}$ : 38.5 %  
 Efficiency:  $N_{actual} = 40.2 / N_{target} = 40$ \*\*  
 \* Rated data  
 \*\*ErP 2015

Characteristic curve



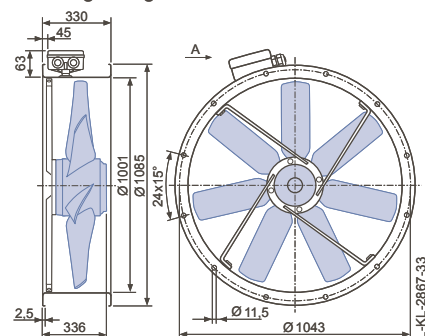
Measured in full bell mouth without guard grille in installation type A according to ISO 5801.  
 Fan not speed controllable

- Connection diagram 1360-106XB Page 608
- System components Page 524

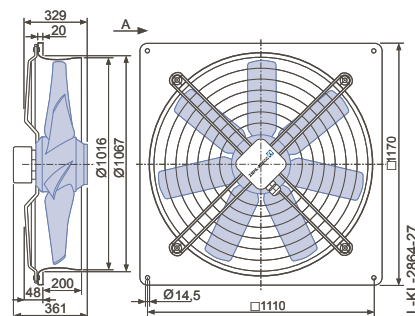
## Dimensions [mm]

### Airflow direction A

Design F - flange ring with two flanges without guard grille



Design Q - square, full bell mouth



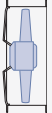
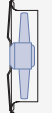
Performance data

Type	Characteristic curve	Voltage	Operating point	Current	Motor input power	Speed	Suction side sound power level
		U [V]		I [A]	P <sub>1</sub> [W]	n [min <sup>-1</sup> ]	L <sub>WAS</sub> [dB]
FC100-6D_.8P.A7	I	400*	②	10.50*	5500*	935*	98
		400	③	9.50	5000	945	98

\*rated data

Fan ordering information

Airflow direction A

Design	F (without guard grille) Q	
		
<b>Type</b>	<b>FC100-6DF.8P.A7</b>	<b>FC100-6DQ.8P.A7</b>
<b>Article no.</b>	<b>125050</b>	<b>125014</b>
<b>Weight [kg]</b>	99.30	93.80

Control technology

<p>Frequency inverter Fcontrol 3~</p>  <p>➤ Page 558</p>	<p>Motor protection units 3~</p>  <p>➤ Page 596</p>	<p>Transformer-based controllers 3~</p>  <p>➤ Page 591</p>	<p>Electronic voltage controllers 3~</p>  <p>➤ Page 578</p>
---	--	---	--

- Information
- FE2owlet  
ECblue
- FE2owlet
- FB
- FC
- System components
- Control technology
- Appendix

# FC

for three phase alternating current, 6 pole

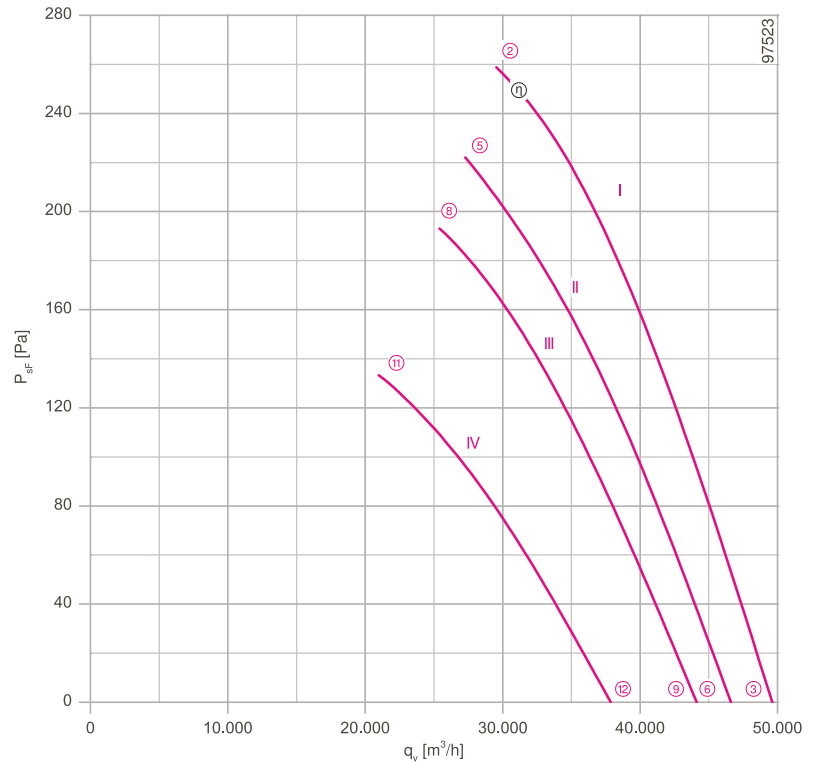
FC 100-6D



## Description

Motor technology: AC  
 Rated voltage  $U_N$ : 3~ 230/400 V ( $\Delta/Y$ )  $\pm 10$  %\*  
 Rated frequency  $f_N$ : 50 Hz\*  
 Motor input power  $P_1$ : 5.00 kW\*  
 Rated current  $I_N$ : 18.50/11.00 A\*  
 Rated speed  $n_N$ : 970 min<sup>-1</sup>\*  
 Current increase  $\Delta I$ : 0 %  
 Thermal class: THCL155\*  
 Min. permitted conveyor temperature  $t_{R(min)}$ : -40 °C  
 Max. permitted conveyor temperature  $t_{R(max)}$ : 70 °C  
 Electrical connection: Terminal box  
 Number of blades: 5  
 Protection class: IP54  
 Motor protection: Thermal contact  
 Blades: Aluminium, 1 coat paint, black  
 Rotor: Aluminium, 1 coat paint, black  
 Conformity: ErP 2015, CE  
**ErP Data**  
 Efficiency  $\eta_{statA}$ : 44.1 %  
 Efficiency:  $N_{actual} = 46.0 / N_{target} = 40$ \*\*  
 \* Rated data  
 \*\*ErP 2015

## Characteristic curve



Measured in full bell mouth without guard grille in installation type A according to ISO 5801.

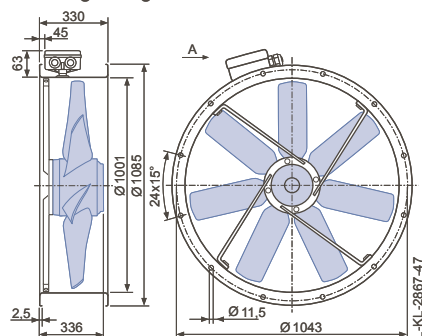
➤ Connection diagram 1360-106XB Page 608

➤ System components Page 524

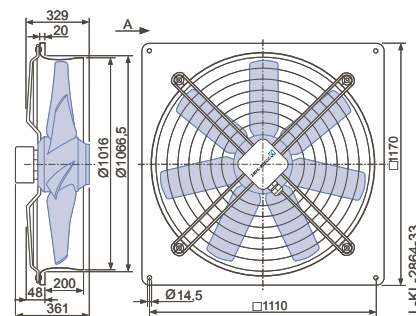
## Dimensions [mm]

### Airflow direction A

Design F - flange ring with two flanges without guard grille



Design Q - square, full bell mouth



Performance data

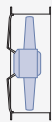
Type	Characteristic curve	Voltage	Operating point	Current	Motor input power	Speed	Suction side sound power level
		U [V]		I [A]	P <sub>1</sub> [W]	n [min <sup>-1</sup> ]	
FC100-6D_.8S_.5	I	400*	②	11.00*	5000*	970*	93
		400	③	10.00	4400	970	91
	II	300	⑤	11.00	4800	940	94
		300	⑥	9.80	4200	950	91
	III	230	⑧	13.00	4400	900	92
		230	⑨	11.50	3900	910	90
	IV	190	⑪	14.50	4200	840	90
		190	⑫	13.00	3700	870	89
	V	145	⑭	16.50	3400	690	86
		145	⑮	15.00	3200	740	85

\*rated data

Fan ordering information

Airflow direction A

Design F (without guard grille) Q



**Type** FC100-6DF.8S.A5 FC100-6DQ.8S.A5  
**Article no.** 160115 160114

**Weight [kg]** 106.50 112.00

Control technology

Frequency inverter  
Fcontrol 3~



➤ Page 558

Motor protection units  
3~



➤ Page 596

Transformer-based  
controllers 3~



➤ Page 591

Electronic voltage  
controllers 3~



➤ Page 578

Information

FE2owlet  
ECblue

FE2owlet

FB

FC

System  
components

Control  
technology

Appendix



# FC

for three phase alternating current, 8 pole

FC100-8D



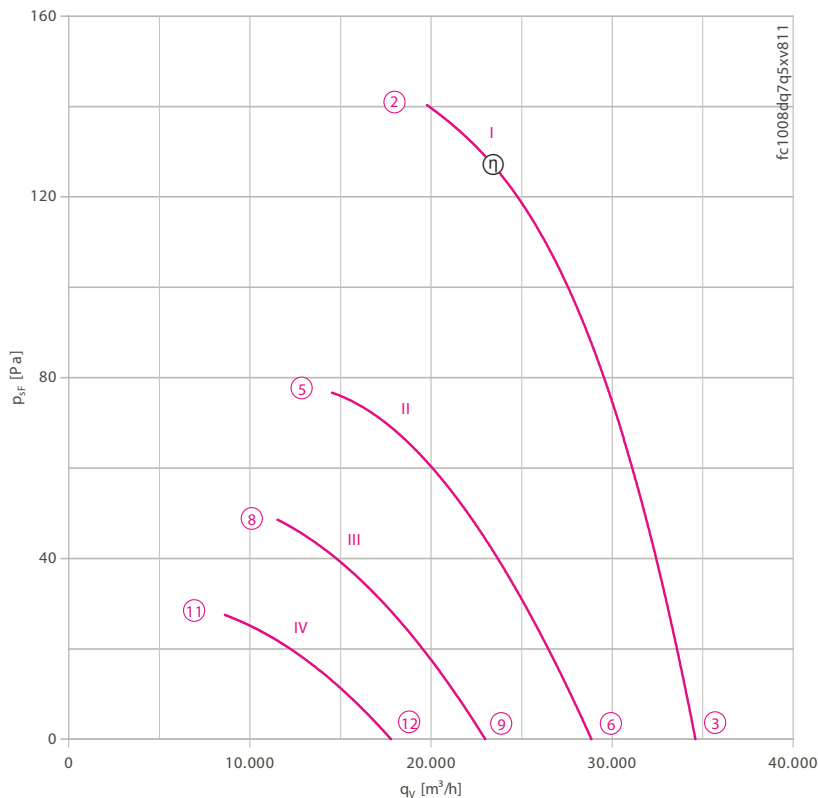
## Description

Motor technology: AC  
 Rated voltage  $U_N$ : 3~ 230/400 V ( $\Delta/Y$ )  $\pm 10$  %\*  
 Rated frequency  $f_N$ : 50 Hz\*  
 Motor input power  $P_1$ : 2.20 kW\*  
 Rated current  $I_N$ : 7.30/4.20 A\*  
 Rated speed  $n_N$ : 670 min<sup>-1</sup>\*  
 Starting current  $I_s$ : 24.00 A / 14.00 A  
 Current increase  $\Delta I$ : 10 %  
 Thermal class: THCL155\*  
 Min. permitted conveyor temperature  $t_{R(min)}$ : -40 °C  
 Max. permitted conveyor temperature  $t_{R(max)}$ : 70 °C  
 Electrical connection: Terminal box  
 Number of blades: 7  
 Protection class: IP54  
 Motor protection: Thermal contact  
 Blades: Aluminium, 1 coat paint, black  
 Rotor: Aluminium, 1 coat paint, black  
 Conformity: ErP 2015, CE

## ErP Data

Efficiency  $\eta_{statA}$ : 36.5 %  
 Efficiency:  $N_{actual} = 40.7 / N_{target} = 40$ \*\*  
 \* Rated data  
 \*\*ErP 2015

Characteristic curve



Measured in full bell mouth without guard grille in installation type A according to ISO 5801.

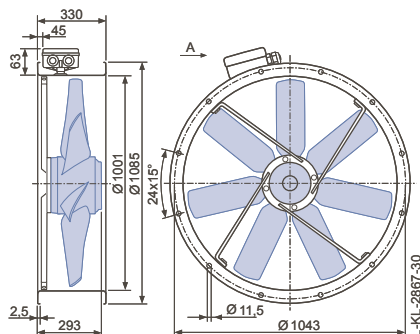
➤ Connection diagram 1360-106XB Page 608

➤ System components Page 524

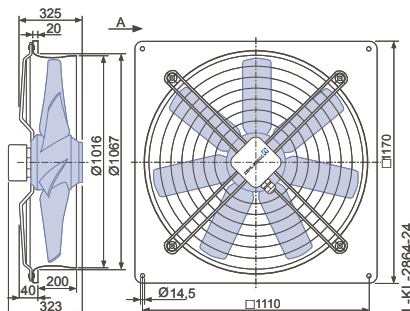
## Dimensions [mm]

### Airflow direction A

Design F - flange ring with two flanges without guard grille



Design Q - square, full bell mouth




Performance data

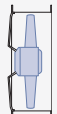
Type	Characteristic curve	Voltage	Operating point	Current	Motor input power	Speed	Suction side sound power level
		U [V]		I [A]	P <sub>1</sub> [W]	n [min <sup>-1</sup> ]	L <sub>WAS</sub> [dB]
FC100-8D_7Q.A7	I	400*	②	4.20*	2200*	670*	86
		400	③	3.80	1800	690	87
	II	230	⑤	4.70	1500	530	80
		230	⑥	4.20	1350	570	82
	III	180	⑧	3.70	930	420	74
		180	⑨	3.50	900	460	77
	IV	140	⑪	3.10	600	340	69
		140	⑫	3.00	580	370	71

\*rated data

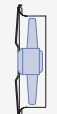
Fan ordering information

**Airflow direction A** 

Design F (without guard grille) Q




**Type** FC100-8DF.7Q.A7  
**Article no.** 125051  
Weight [kg] 76.10



**Type** FC100-8DQ.7Q.A7  
**Article no.** 125015  
Weight [kg] 74.60


Control technology

Frequency inverter  
Fcontrol 3~



➤ Page 558

Motor protection units  
3~




➤ Page 596

Transformer-based  
controllers 3~



➤ Page 591

Electronic voltage  
controllers 3~



➤ Page 578



# FC

for three phase alternating current, 8-8 pole

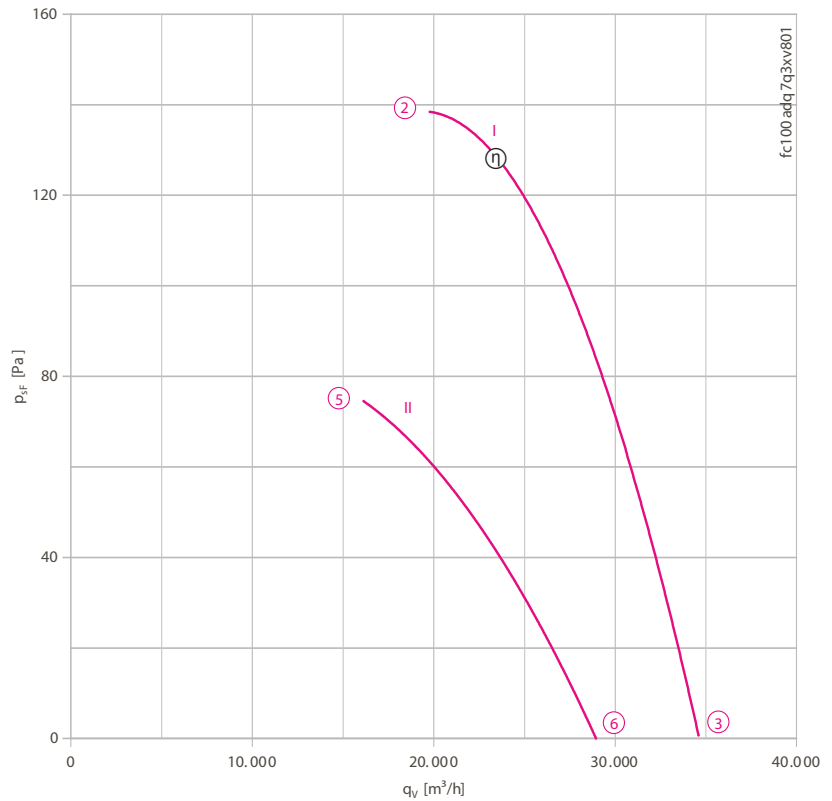
FC 100-AD



## Description

Motor technology: AC  
 Rated voltage  $U_N$ : 3- 400 V ( $\Delta/Y$ )  $\pm 10$  %\*  
 Rated frequency  $f_N$ : 50 Hz\*  
 Motor input power  $P_1$ : 2.20/1.50 kW\*  
 Rated current  $I_N$ : 4.20/2.70 A\*  
 Rated speed  $n_N$ : 670/530 min<sup>-1</sup>\*  
 Starting current  $I_s$ : 17.00 A / 5.00 A  
 Current increase  $\Delta I$ : 10 %  
 Thermal class: THCL155\*  
 Min. permitted conveyor temperature  $t_{R(min)}$ : -40 °C  
 Max. permitted conveyor temperature  $t_{R(max)}$ : 70 °C  
 Electrical connection: Terminal box  
 Number of blades: 7  
 Protection class: IP54  
 Motor protection: Thermal contact  
 Blades: Aluminium, 1 coat paint, black  
 Rotor: Aluminium, 1 coat paint, black  
 Conformity: ErP 2015, CE  
**ErP Data**  
 Efficiency  $\eta_{statA}$ : 38.2 %  
 Efficiency:  $N_{actual} = 42.4 / N_{target} = 40$ \*\*  
 \* Rated data  
 \*\*ErP 2015

## Characteristic curve



Measured in full bell mouth without guard grille in installation type A according to ISO 5801.

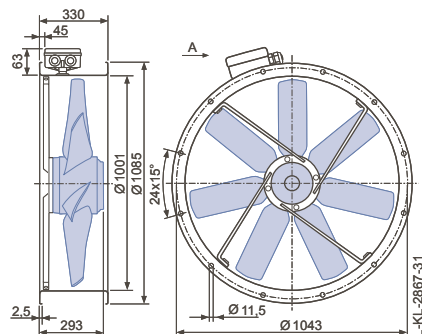
➤ Connection diagrams Page 608  
 for airflow direction V 1360-108XA  
 for airflow direction A 1360-108XB

➤ System components Page 524

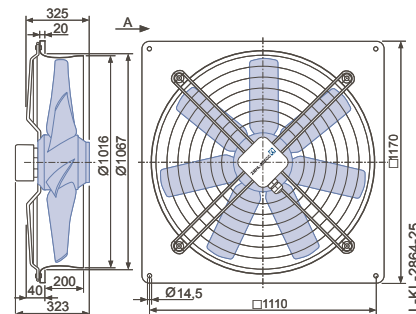
## Dimensions [mm]

### Airflow direction A

Design F - flange ring with two flanges without guard grille



Design Q - square, full bell mouth

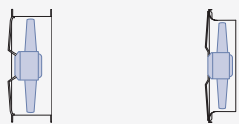
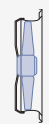


Performance data





Type	Connection	Characteristic curve	Voltage	Operating point	Current	Motor input power	Speed	Suction side sound power level $L_{WA5}$ [dB]
			U [V]		I [A]	$P_1$ [W]	n [min <sup>-1</sup> ]	
FC100-AD_7Q_7	Δ	I	400*	②	4.20*	2200*	670*	86
			400	③	3.80	1800	690	87
	Y	II	400*	⑤	2.70*	1500*	530*	80
			400	⑥	2.40	1350	570	82

\*rated data

Fan ordering information

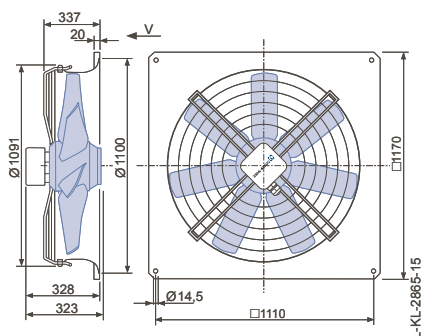
Airflow direction A		Airflow direction V	
Design	F (without guard grille) Q	Q	
			
Type	<b>FC100-ADF.7Q.A7</b> <b>FC100-ADQ.7Q.A7</b>	<b>FC100-ADQ.7Q.V7</b>	
Article no.	<b>124449</b> <b>125016</b>	<b>208866</b>	
Weight [kg]	76.10    74.60	74.80	

Control technology

Frequency inverter Fcontrol 3~  ➤ Page 558	Motor protection units 3~  ➤ Page 596	Transformer-based controllers 3~  ➤ Page 591	Electronic voltage controllers 3~  ➤ Page 578
---	--	---	--

Airflow direction V

Design Q - square, full bell mouth



# FC

for three phase alternating current, 10-10 pole

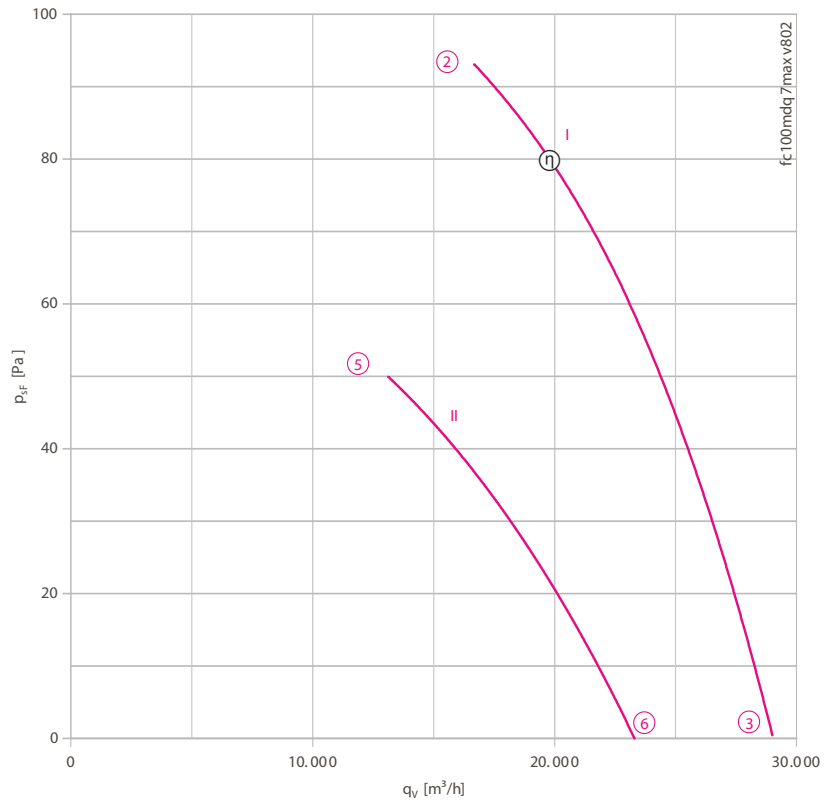
FC 100-MD



## Description

Motor technology: AC  
 Rated voltage  $U_N$ : 3- 400 V ( $\Delta/Y$ )  $\pm 10$  %\*  
 Rated frequency  $f_N$ : 50 Hz\*  
 Motor input power  $P_1$ : 1.25/0.81 kW\*  
 Rated current  $I_N$ : 2.70/1.55 A\*  
 Rated speed  $n_N$ : 530/ 390 min<sup>-1</sup>\*  
 Starting current  $I_A$ : 8.00 A / 2.20 A  
 Current increase  $\Delta I$ : 0 %  
 Thermal class: **THCL155**\*  
 Min. permitted conveyor temperature  $t_{R(min)}$ : -40 °C  
 Max. permitted conveyor temperature  $t_{R(max)}$ : 70 °C  
 Electrical connection: Terminal box  
 Number of blades: 7  
 Protection class: IP54  
 Motor protection: Thermal contact  
 Blades: Aluminium, 1 coat paint, black  
 Rotor: Aluminium, 1 coat paint, black  
 Conformity: ErP 2013, CE  
**ErP Data**  
 Efficiency  $\eta_{statA}$ : 32.0 %  
 Efficiency:  $N_{actual} = 37.8 / N_{target} = 36$ \*\*  
 \* Rated data  
 \*\*ErP 2013

Characteristic curve



Measured in full bell mouth without guard grille in installation type A according to ISO 5801.

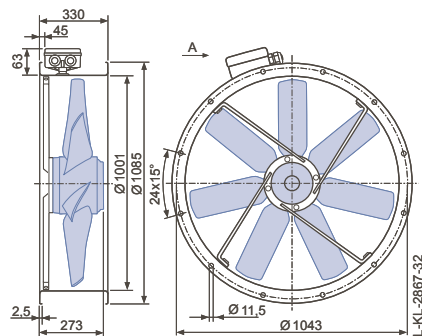
➤ Connection diagrams Page 608  
 for airflow direction V 1360-108XA  
 for airflow direction A 1360-108XB

➤ System components Page 524

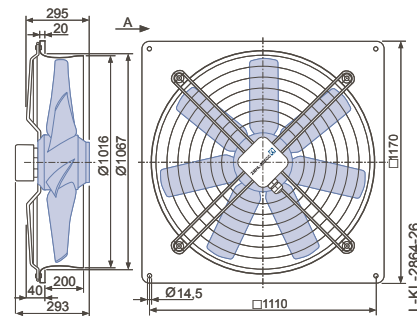
## Dimensions [mm]

### Airflow direction A

Design F - flange ring with two flanges without guard grille



Design Q - square, full bell mouth

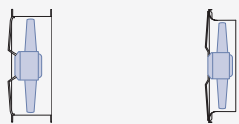
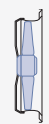


Performance data


Type	Connection	Characteristic curve	Voltage	Operating point	Current	Motor input power	Speed	Suction side sound power level
			U [V]					
FC100-MD_7M_7	Δ	I	400*	②	2.70*	1250*	530*	80
			400	③	2.50	1100	550	81
			400*	⑤	1.55*	810*	390*	73
	Y	II	400	⑥	1.40	710	440	76

\*rated data

Fan ordering information

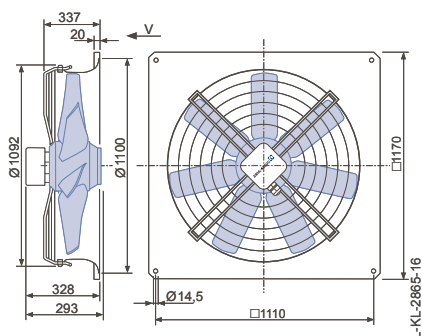
Airflow direction A		Airflow direction V	
Design	F (without guard grille) Q	Q	
			
Type	<b>FC100-MDF.7M.A7</b> <b>FC100-MDQ.7M.A7</b>	<b>FC100-MDQ.7M.V7</b>	
Article no.	<b>132540</b> <b>132539</b>	<b>123993</b>	
Weight [kg]	69.10    67.60	67.90	

Control technology

Frequency inverter Fcontrol 3~  ➤ Page 558	Motor protection units 3~  ➤ Page 596	Transformer-based controllers 3~  ➤ Page 591	Electronic voltage controllers 3~  ➤ Page 578
---	--	---	--

Airflow direction V

Design Q - square, full bell mouth



# FC

for three phase alternating current, 12-12 pole

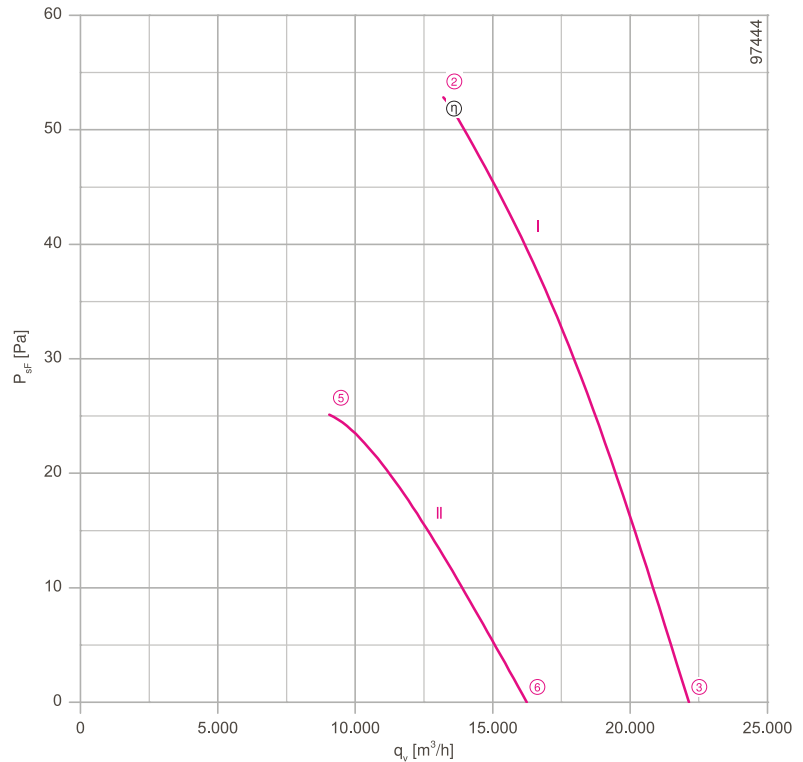
FC 100-ND



## Description

Motor technology: AC  
 Rated voltage  $U_N$ : 3- 400 V ( $\Delta/Y$ )  $\pm 10$  %\*  
 Rated frequency  $f_N$ : 50 Hz\*  
 Motor input power  $P_1$ : 0.64/0.34 kW\*  
 Rated current  $I_N$ : 1.45/0.72 A\*  
 Rated speed  $n_N$ : 410/290 min<sup>-1</sup>\*  
 Starting current  $I_s$ : 3.00 A / 0.95 A  
 Current increase  $\Delta I$ : 0 %  
 Thermal class: **THCL155**\*  
 Min. permitted conveyor temperature  $t_{R(min)}$ : -40 °C  
 Max. permitted conveyor temperature  $t_{R(max)}$ : 70 °C  
 Electrical connection: Terminal box  
 Number of blades: 7  
 Protection class: IP54  
 Motor protection: Thermal contact  
 Blades: Aluminium, 1 coat paint, black  
 Rotor: Aluminium, 1 coat paint, black  
 Conformity: ErP 2015, CE  
**ErP Data**  
 Efficiency  $\eta_{statA}$ : 34.2 %  
 Efficiency:  $N_{actual} = 41.9 / N_{target} = 40$ \*\*  
 \* Rated data  
 \*\*ErP 2015

Characteristic curve



Measured in full bell mouth without guard grille in installation type A according to ISO 5801.

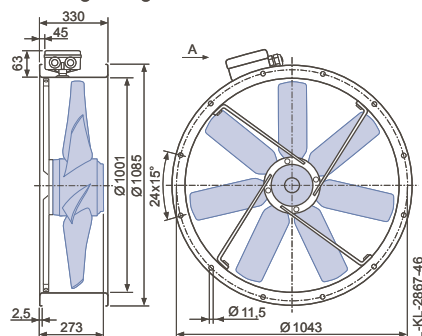
➤ Connection diagram 1360-108XA Page 608

➤ System components Page 524

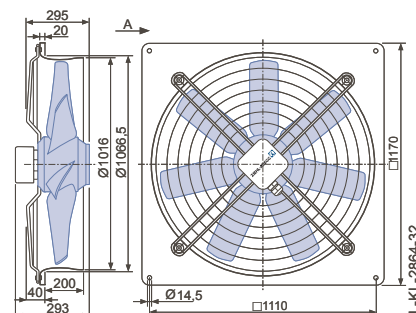
## Dimensions [mm]

Airflow direction A

Design F - flange ring with two flanges without guard grille



Design Q - square, full bell mouth

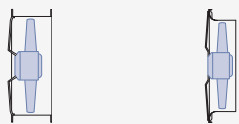
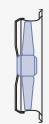


Performance data

Type	Connection	Characteristic curve	Voltage	Operating point	Current	Motor input power	Speed	Suction side sound power level $L_{WA5}$ [dB]
			U [V]		I [A]	$P_1$ [W]	n [min <sup>-1</sup> ]	
FC100-ND_7M_7	Δ	I	400*	②	1.45*	640*	410*	75
			400	③	1.30	540	430	73
	Y	II	400*	⑤	0.72*	340*	290*	64
			400	⑥	0.68	320	310	65

\*rated data

Fan ordering information

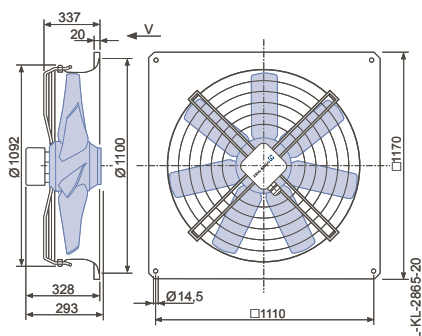
Airflow direction A		Airflow direction V	
Design	F (without guard grille) Q	Q	
			
Type	FC100-NDF.7M.A7    FC100-NDQ.7M.A7	FC100-NDQ.7M.V7	
Article no.	160106    160105	160108	
Weight [kg]	67.60    69.10	67.90	

Control technology

<p>Frequency inverter Fcontrol 3~</p>  <p>➤ Page 558</p>	<p>Motor protection units 3~</p>  <p>➤ Page 596</p>	<p>Transformer-based controllers 3~</p>  <p>➤ Page 591</p>	<p>Electronic voltage controllers 3~</p>  <p>➤ Page 578</p>
--	---	--	---

Airflow direction V

Design Q - square, full bell mouth



# FC

for three phase alternating current, 8-8 pole

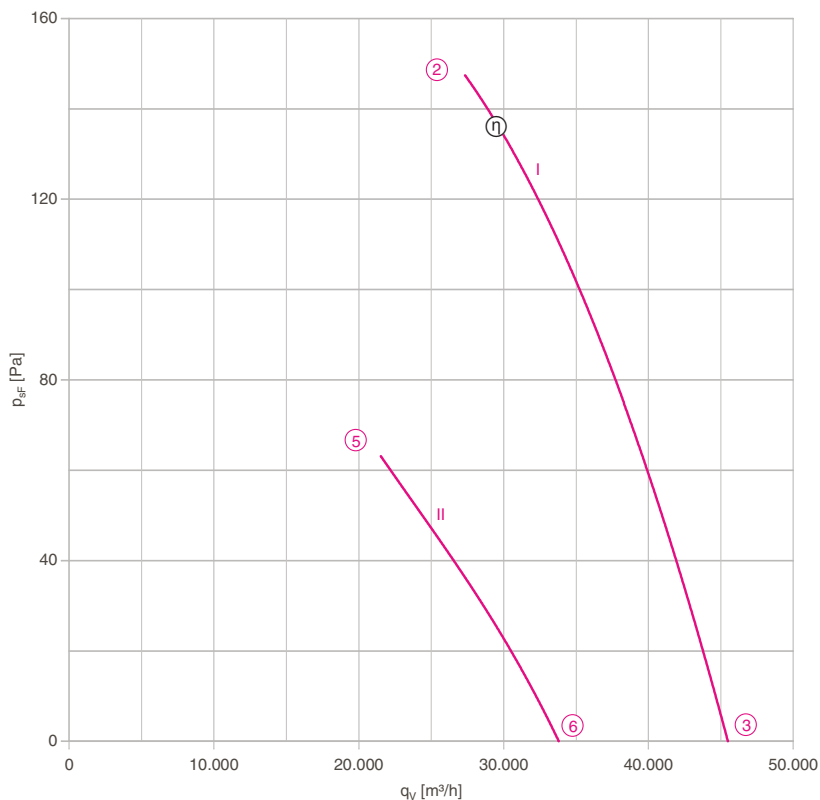
FC 1 1 2-AD



## Description

Motor technology: AC  
 Rated voltage  $U_N$ : 3- 400 V ( $\Delta/Y$ )  $\pm 10$  %\*  
 Rated frequency  $f_N$ : 50 Hz\*  
 Motor input power  $P_1$ : 3.00/1.75 kW\*  
 Rated current  $I_N$ : 5.20/2.90 A\*  
 Rated speed  $n_N$ : 620/ 440 min<sup>-1</sup>\*  
 Starting current  $I_s$ : 17.00 A / 5.00 A  
 Current increase  $\Delta I$ : 0 %  
 Thermal class: **THCL155\***  
 Min. permitted conveyor temperature  $t_{R(min)}$ : -40 °C  
 Max. permitted conveyor temperature  $t_{R(max)}$ : 60 °C  
 Electrical connection: Terminal box  
 Number of blades: 7  
 Protection class: IP54  
 Motor protection: Thermal contact  
 Blades: Aluminium, 1 coat paint, black  
 Rotor: Aluminium, 1 coat paint, black  
 Conformity: ErP 2015, CE  
**ErP Data**  
 Efficiency  $\eta_{statA}$ : 36.8 %  
 Efficiency:  $N_{actual} = 40.3 / N_{target} = 40$ \*\*  
 \* Rated data  
 \*\*ErP 2015

Characteristic curve



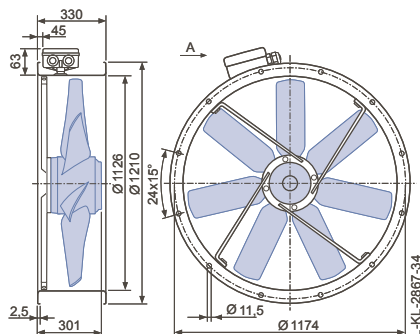
Measured in full bell mouth without guard grille in installation type A according to ISO 5801.

- Connection diagram 1360-108XB Page 608
- System components Page 524

## Dimensions [mm]

### Airflow direction A

Design F - flange ring with two flanges  
without guard grille



Performance data

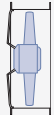
Type	Connection	Characteristic curve	Voltage	Operating point	Current	Motor input power	Speed	Suction side sound power level
			U [V]					
FC112-AD_.7Q.A7	Δ	I	400*	②	5.20*	3050*	620*	89
			400	③	4.50	2590	650	92
	Y	II	400*	⑤	2.90*	1750*	440*	81
			400	⑥	2.70	1620	480	86

\*rated data

Fan ordering information



Design F (without guard grille)



Type **FC112-ADF.7Q.A7**

Article no. **132552**

Weight [kg] 79.70

Control technology

Frequency inverter  
Fcontrol 3~



➤ Page 558

Motor protection units  
3~



➤ Page 596

Transformer-based  
controllers 3~



➤ Page 591

Electronic voltage  
controllers 3~



➤ Page 578

- Information
- FE2owlet  
ECblue
- FE2owlet
- FB
- FC
- System components
- Control technology
- Appendix





# FC

for three phase alternating current, 10-10 pole

FC 112-MD



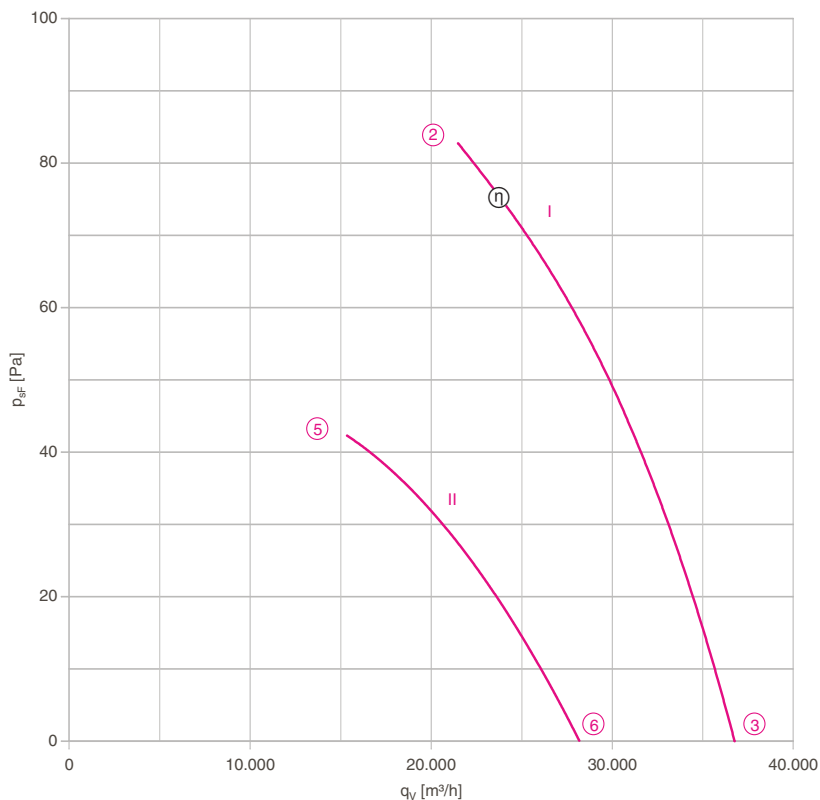
## Description

Motor technology: AC  
 Rated voltage  $U_N$ : 3- 400 V ( $\Delta/Y$ )  $\pm 10$  %\*  
 Rated frequency  $f_N$ : 50 Hz\*  
 Motor input power  $P_1$ : 1.60/0.83 kW\*  
 Rated current  $I_N$ : 3.40/1.75 A\*  
 Rated speed  $n_N$ : 500/ 330 min<sup>-1</sup>\*  
 Starting current  $I_A$ : 10.00 A / 3.00 A  
 Current increase  $\Delta I$ : 0 %  
 Thermal class: THCL155\*  
 Min. permitted conveyor temperature  $t_{R(min)}$ : -40 °C  
 Max. permitted conveyor temperature  $t_{R(max)}$ : 65 °C  
 Electrical connection: Terminal box  
 Number of blades: 7  
 Protection class: IP54  
 Motor protection: Thermal contact  
 Blades: Aluminium, 1 coat paint, black  
 Rotor: Aluminium, 1 coat paint, black  
 Conformity: ErP 2013, CE

## ErP Data

Efficiency  $\eta_{statA}$ : 32.8 %  
 Efficiency:  $N_{actual} = 37.9 / N_{target} = 36$ \*\*  
 \* Rated data  
 \*\*ErP 2013

Characteristic curve



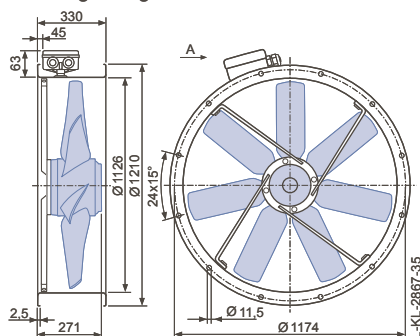
Measured in full bell mouth without guard grille in installation type A according to ISO 5801.

- Connection diagram 1360-108XB Page 608
- System components Page 524

## Dimensions [mm]

### Airflow direction A

Design F - flange ring with two flanges  
without guard grille



Performance data

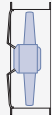
Type	Connection	Characteristic curve	Voltage	Operating point	Current	Motor input power	Speed	Suction side sound power level
			U [V]		I [A]	P <sub>1</sub> [W]	n [min <sup>-1</sup> ]	L <sub>WA5</sub> [dB]
FC112-MD_7M.A7	Δ	I	400*	②	3.60*	1600*	510*	83
			400	③	3.20	1320	530	85
	Y	II	400*	⑤	1.95*	940*	360*	75
			400	⑥	1.75	850	400	77

\*rated data

Fan ordering information

Airflow direction A 

Design F (without guard grille)



Type **FC112-MDF.7M.A7**

Article no. **132553**

Weight [kg] 73.30

Control technology

Frequency inverter  
Fcontrol 3~



➤ Page 558

Motor protection units  
3~



➤ Page 596

Transformer-based  
controllers 3~



➤ Page 591

Electronic voltage  
controllers 3~



➤ Page 578

Information

FE2owlet  
ECblue

FE2owlet

FB

FC

System components

Control technology

Appendix

# FC

for three phase alternating current, 12-12 pole

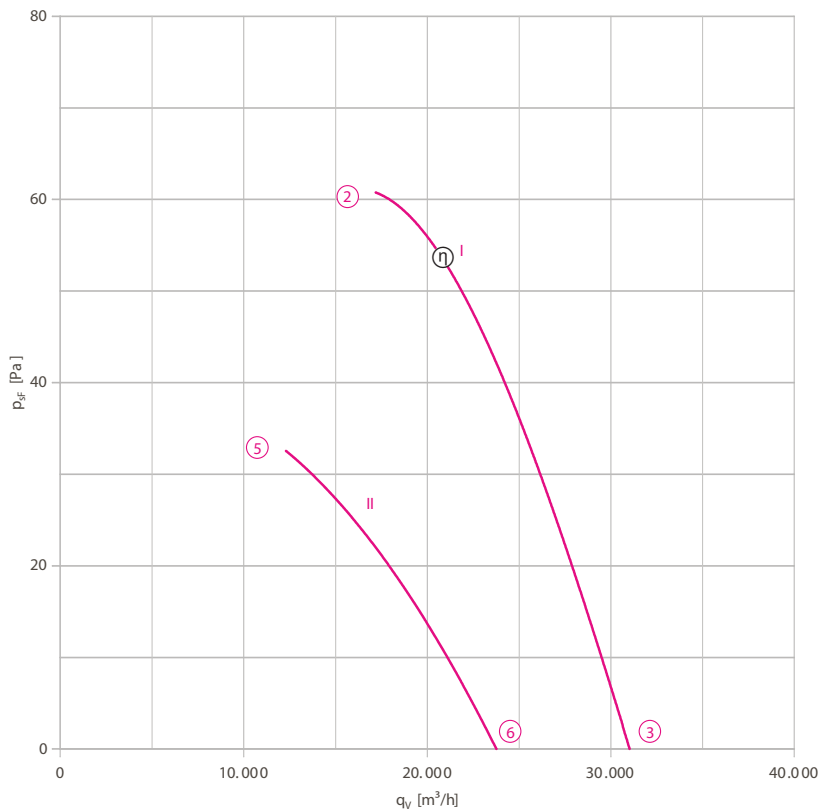
FC 1 12-ND



## Description

Motor technology: AC  
 Rated voltage  $U_N$ : 3- 400 V ( $\Delta/Y$ )  $\pm 10$  %\*  
 Rated frequency  $f_N$ : 50 Hz\*  
 Motor input power  $P_1$ : 0.97/0.55 kW\*  
 Rated current  $I_N$ : 2.30/1.15 A\*  
 Rated speed  $n_N$ : 420/ 300 min<sup>-1</sup>\*  
 Starting current  $I_A$ : 5.50 A / 1.70 A  
 Current increase  $\Delta I$ : 0 %  
 Thermal class: **THCL155\***  
 Min. permitted conveyor temperature  $t_{R(min)}$ : -40 °C  
 Max. permitted conveyor temperature  $t_{R(max)}$ : 70 °C  
 Electrical connection: Terminal box  
 Number of blades: 7  
 Protection class: IP54  
 Motor protection: Thermal contact  
 Blades: Aluminium, 1 coat paint, black  
 Rotor: Aluminium, 1 coat paint, black  
 Conformity: ErP 2013, CE  
**ErP Data**  
 Efficiency  $\eta_{statA}$ : 31.6 %  
 Efficiency:  $N_{actual} = 38.0 / N_{target} = 36$ \*\*  
 \* Rated data  
 \*\*ErP 2013

Characteristic curve



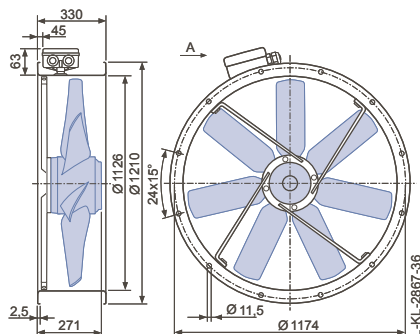
Measured in full bell mouth without guard grille in installation type A according to ISO 5801.

- Connection diagram 1360-108XB Page 608
- System components Page 524

## Dimensions [mm]

### Airflow direction A

Design F - flange ring with two flanges  
without guard grille



Performance data

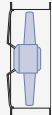
Type	Connection	Characteristic curve	Voltage	Operating point	Current	Motor input power	Speed	Suction side sound power level
			U [V]					
FC112-ND_7M.A7	Δ	I	400*	②	2.30*	970*	420*	79
			400	③	2.20	810	440	82
	Y	II	400*	⑤	1.15*	550*	300*	73
			400	⑥	1.10	500	330	76

\*rated data

Fan ordering information

Airflow direction A 

Design F (without guard grille)



Type **FC112-NDF.7M.A7**

Article no. **132554**

Weight [kg] 73.30

Control technology

Frequency inverter  
Fcontrol 3~



➤ Page 558

Motor protection units  
3~



➤ Page 596

Transformer-based  
controllers 3~



➤ Page 591

Electronic voltage  
controllers 3~



➤ Page 578

Information

FE2owlet  
ECblue

FE2owlet

FB

FC

System  
components

Control  
technology

Appendix

# FC

for three phase alternating current, 8-8 pole

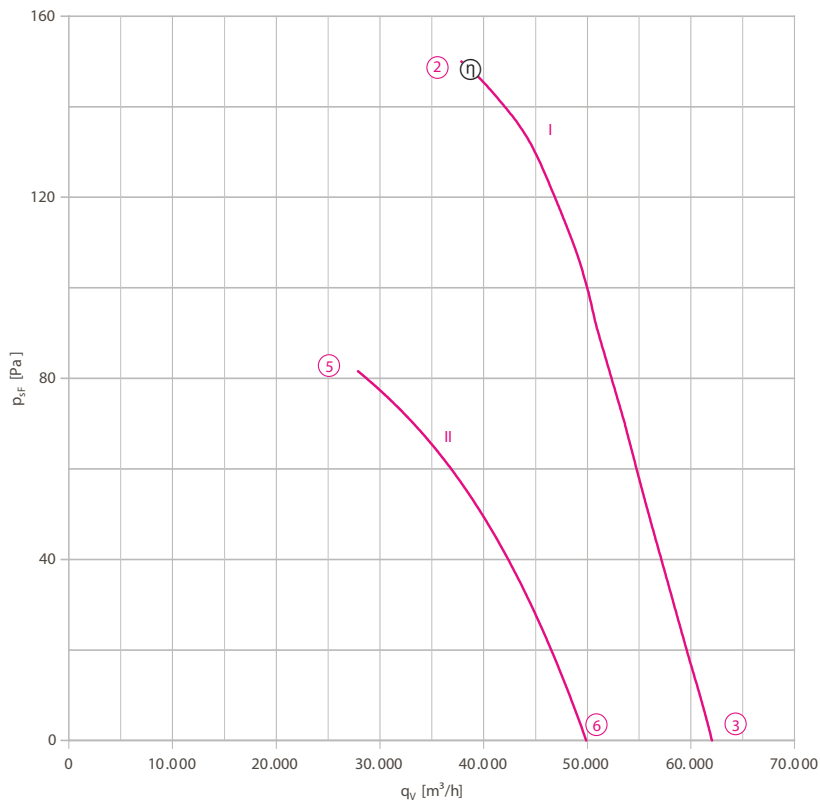
FC 125-AD



## Description

Motor technology: AC  
 Rated voltage  $U_N$ : 3- 400 V ( $\Delta/Y$ )  $\pm 10$  %\*  
 Rated frequency  $f_N$ : 50 Hz\*  
 Motor input power  $P_1$ : 4.30/2.60 kW\*  
 Rated current  $I_N$ : 9.00/4.90 A\*  
 Rated speed  $n_N$ : 640/ 490 min<sup>-1</sup>\*  
 Starting current  $I_s$ : 30.00 A / 10.00 A  
 Current increase  $\Delta I$ : 0 %  
 Thermal class: **THCL155**\*  
 Min. permitted conveyor temperature  $t_{R(min)}$ : -40 °C  
 Max. permitted conveyor temperature  $t_{R(max)}$ : 40 °C  
 Electrical connection: Terminal box  
 Number of blades: 7  
 Protection class: IP54  
 Motor protection: Thermal contact  
 Blades: Aluminium, 1 coat paint, black  
 Rotor: Aluminium, 1 coat paint, black  
 Conformity: ErP 2015, CE  
**ErP Data**  
 Efficiency  $\eta_{statA}$ : 37.7 %  
 Efficiency:  $N_{actual} = 40.0 / N_{target} = 40$ \*\*  
 \* Rated data  
 \*\*ErP 2015

Characteristic curve



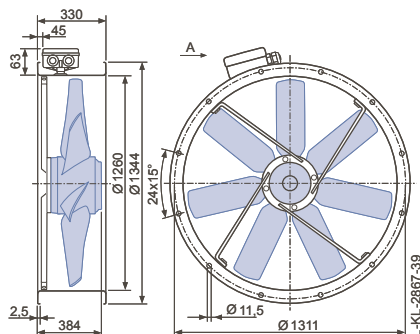
Measured in full bell mouth without guard grille in installation type A according to ISO 5801.

- Connection diagram 1360-108XB Page 608
- System components Page 524

## Dimensions [mm]

### Airflow direction A

Design F - flange ring with two flanges  
without guard grille



Performance data

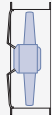
Type	Connection	Characteristic curve	Voltage	Operating point	Current	Motor input power	Speed	Suction side sound power level
			U [V]					
FC125-AD_8S.A7	Δ	I	400*	②	9.00*	4300*	640*	96
			400	③	8.10	3600	660	92
	Y	II	400*	⑤	4.90*	2600*	490*	88
			400	⑥	4.50	2300	530	85

\*rated data

Fan ordering information

Airflow direction A 

Design F (without guard grille)



Type **FC125-ADF.8S.A7**

Article no. **125053**

Weight [kg] 123.40

Control technology

Frequency inverter  
Fcontrol 3~



➤ Page 558

Motor protection units  
3~



➤ Page 596

Transformer-based  
controllers 3~



➤ Page 591

Electronic voltage  
controllers 3~



➤ Page 578

Information

FE2owlet  
ECblue

FE2owlet

FB

FC

System components

Control technology

Appendix



# FC

for three phase alternating current, 10-10 pole

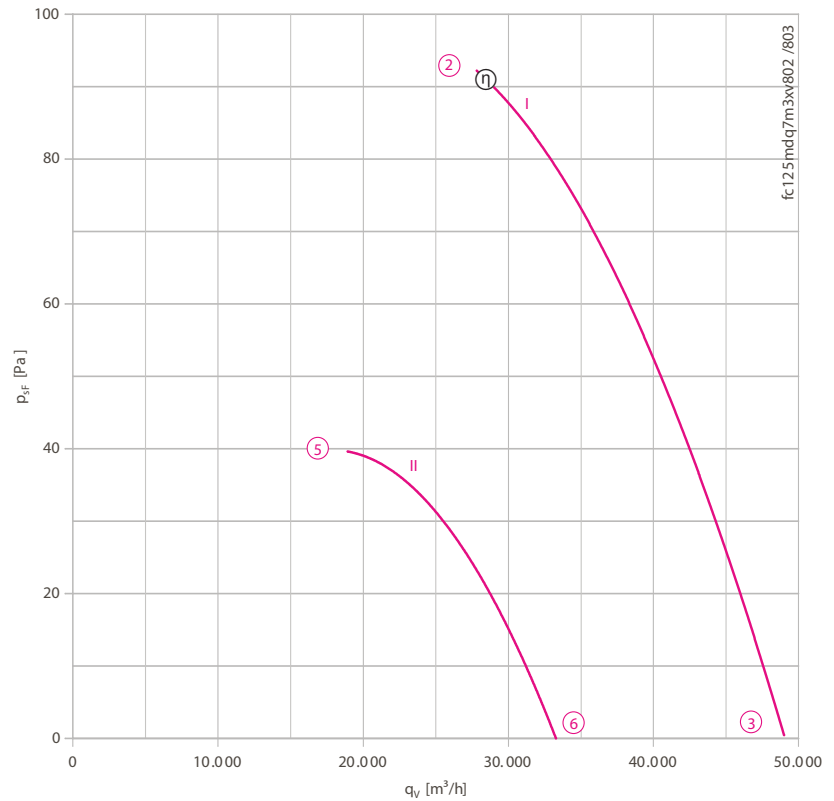
FC125-MD



## Description

Motor technology: AC  
 Rated voltage  $U_N$ : 3- 400 V ( $\Delta/Y$ )  $\pm 10\%$ \*  
 Rated frequency  $f_N$ : 50 Hz\*  
 Motor input power  $P_1$ : 2.20/1.20 kW\*  
 Rated current  $I_N$ : 4.50/2.50 A\*  
 Rated speed  $n_N$ : 500/ 330 min<sup>-1</sup>\*  
 Starting current  $I_A$ : 14.00 A / 4.00 A  
 Current increase  $\Delta I$ : 0 %  
 Thermal class: **THCL155\***  
 Min. permitted conveyor temperature  $t_{R(min)}$ : -40 °C  
 Max. permitted conveyor temperature  $t_{R(max)}$ : 60 °C  
 Electrical connection: Terminal box  
 Number of blades: 7  
 Protection class: IP54  
 Motor protection: Thermal contact  
 Blades: Aluminium, 1 coat paint, black  
 Rotor: Aluminium, 1 coat paint, black  
 Conformity: ErP 2015, CE  
**ErP Data**  
 Efficiency  $\eta_{statA}$ : 35.8 %  
 Efficiency:  $N_{actual} = 40.0 / N_{target} = 40$ \*\*  
 \* Rated data  
 \*\*ErP 2015

Characteristic curve



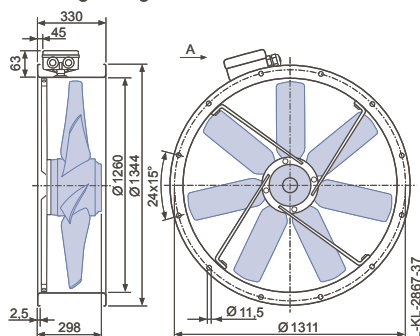
Measured in full bell mouth without guard grille in installation type A according to ISO 5801.

- Connection diagram 1360-108XB Page 608
- System components Page 524

## Dimensions [mm]

### Airflow direction A

Design F - flange ring with two flanges  
without guard grille



Performance data

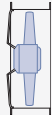
Type	Connection	Characteristic curve	Voltage	Operating point	Current	Motor input power	Speed	Suction side sound power level
			U [V]		I [A]	P <sub>1</sub> [W]	n [min <sup>-1</sup> ]	L <sub>WA5</sub> [dB]
FC125-MD_7Q.A7	Δ	I	400*	②	4.50*	2200*	500*	90
			400	③	4.20	1800	520	90
	Y	II	400*	⑤	2.50*	1200*	330*	78
			400	⑥	2.30	1100	370	80

\*rated data

Fan ordering information

Airflow direction A 

Design F (without guard grille)



Type **FC125-MDF.7Q.A7**

Article no. **125054**

Weight [kg] 85.50

Control technology

Frequency inverter  
Fcontrol 3~



➤ Page 558

Motor protection units  
3~



➤ Page 596

Transformer-based  
controllers 3~



➤ Page 591

Electronic voltage  
controllers 3~



➤ Page 578

- Information
- FE2owlet  
ECblue
- FE2owlet
- FB
- FC
- System components
- Control technology
- Appendix



# FC

for three phase alternating current, 12-12 pole

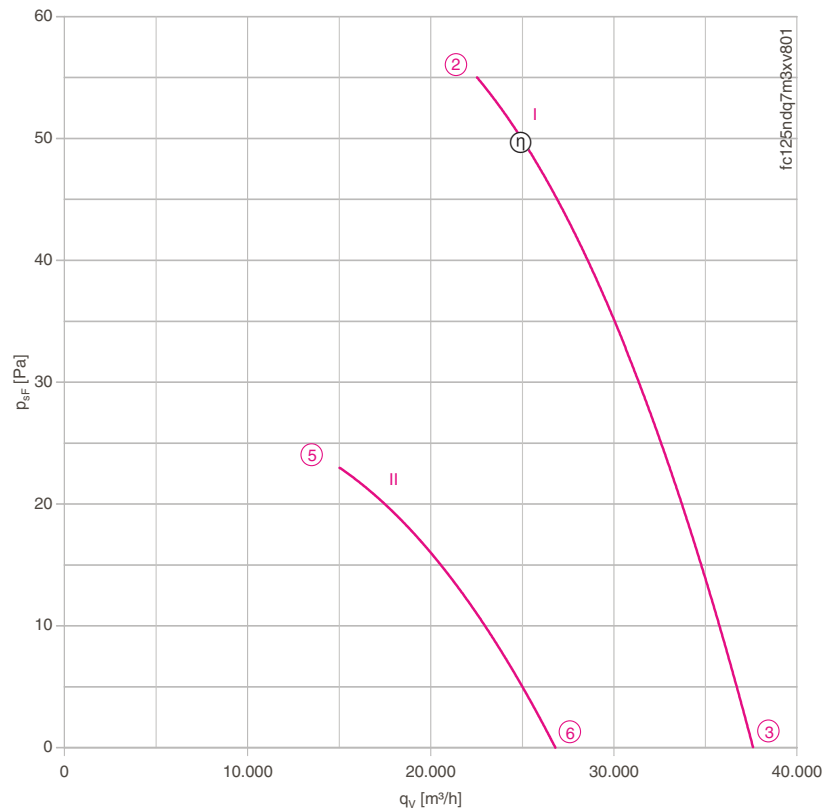
FC 125-ND



## Description

Motor technology: AC  
 Rated voltage  $U_N$ : 3- 400 V ( $\Delta/Y$ )  $\pm 10$  %\*  
 Rated frequency  $f_N$ : 50 Hz\*  
 Motor input power  $P_1$ : 1.15/0.56 kW\*  
 Rated current  $I_N$ : 2.60/1.20 A\*  
 Rated speed  $n_N$ : 380/ 250 min<sup>-1</sup>\*  
 Starting current  $I_a$ : 5.50 A / 1.70 A  
 Current increase  $\Delta I$ : 0 %  
 Thermal class: **THCL155\***  
 Min. permitted conveyor temperature  $t_{R(min)}$ : -40 °C  
 Max. permitted conveyor temperature  $t_{R(max)}$ : 60 °C  
 Electrical connection: Terminal box  
 Number of blades: 7  
 Protection class: IP54  
 Motor protection: Thermal contact  
 Blades: Aluminium, 1 coat paint, black  
 Rotor: Aluminium, 1 coat paint, black  
 Conformity: ErP 2013, CE  
**ErP Data**  
 Efficiency  $\eta_{statA}$ : 31.1 %  
 Efficiency:  $N_{actual} = 37.0 / N_{target} = 36$ \*\*  
 \* Rated data  
 \*\*ErP 2013

## Characteristic curve



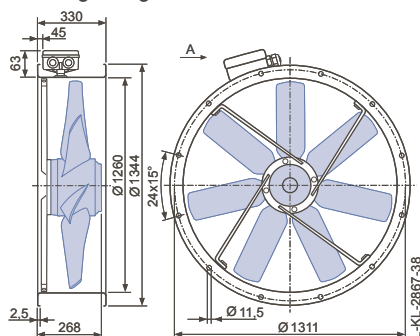
Measured in full bell mouth without guard grille in installation type A according to ISO 5801.

- Connection diagram 1360-108XB Page 608
- System components Page 524

## Dimensions [mm]

### Airflow direction A

Design F - flange ring with two flanges  
without guard grille



Performance data

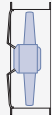
Type	Connection	Characteristic curve	Voltage	Operating point	Current	Motor input power	Speed	Suction side sound power level
			U [V]		I [A]	P <sub>1</sub> [W]	n [min <sup>-1</sup> ]	L <sub>WA5</sub> [dB]
FC125-ND_7M.A7	Δ	I	400*	②	2.60*	1150*	380*	83
			400	③	2.50	1100	400	82
	Y	II	400*	⑤	1.20*	560*	250*	71
			400	⑥	1.40	520	290	74

\*rated data

Fan ordering information

Airflow direction A 

Design F (without guard grille)



Type **FC125-NDF.7M.A7**

Article no. **125055**

Weight [kg] 79.00

Control technology

Frequency inverter  
Fcontrol 3~



➤ Page 558

Motor protection units  
3~



➤ Page 596

Transformer-based  
controllers 3~



➤ Page 591

Electronic voltage  
controllers 3~



➤ Page 578

- Information
- FE2owlet  
ECblue
- FE2owlet
- FB
- FC
- System components
- Control technology
- Appendix